

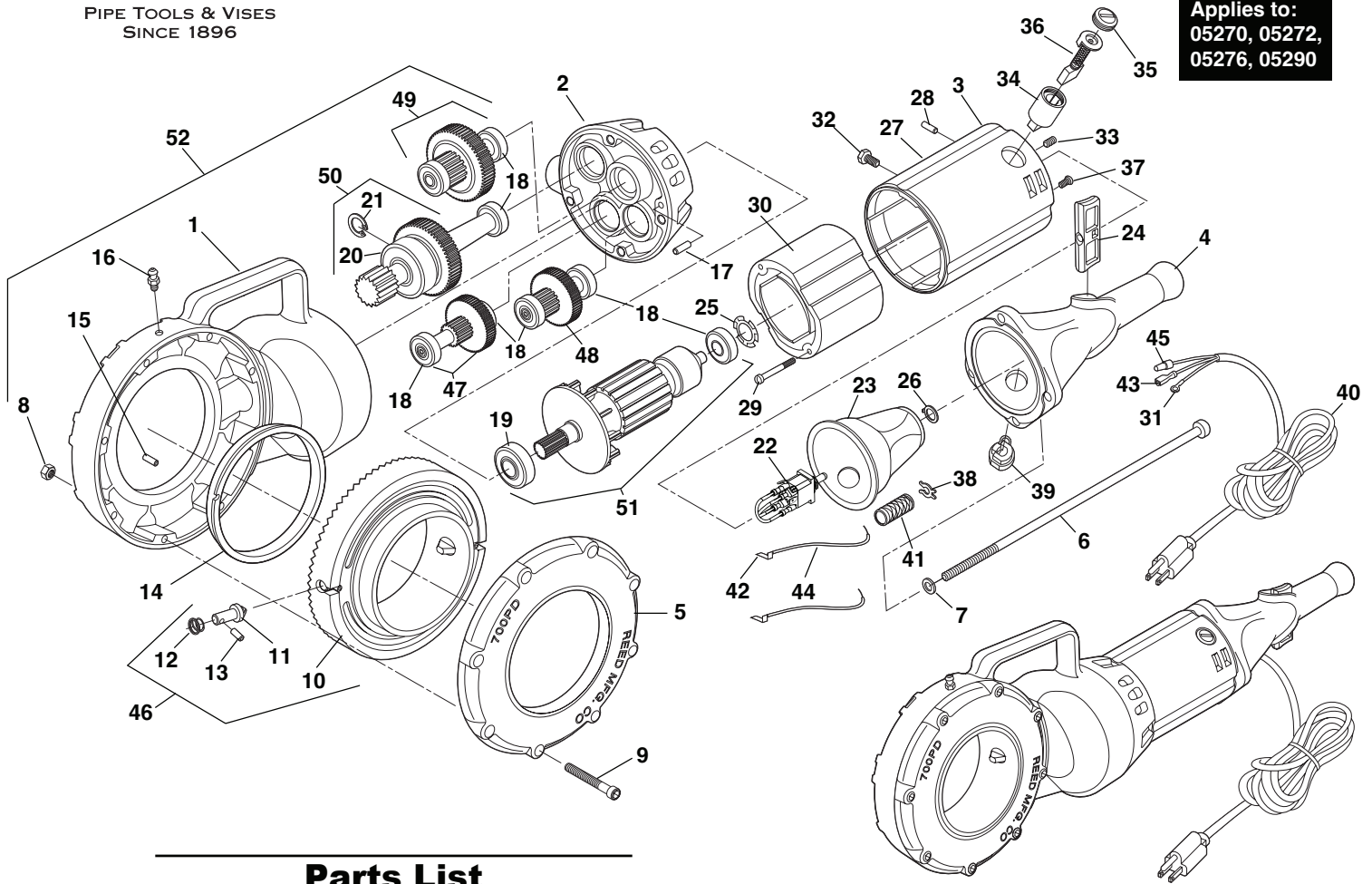


PIPE TOOLS & VISES
SINCE 1896

700PD Power Drive

Replacement Parts

Applies to:
05270, 05272,
05276, 05290



Parts List

Ref. No.	Description	Item Code	Qty. Used
1	Gear Case	98800	1
2	Fan Housing	98801	1
3	Motor Housing	98802	1
4	Handle	98803	1
5	Coverplate	98804	1
6	Tie Bolt	98830	4
7	Lock Washer	30049	4
8	Lock Nut	30108	8
9	Socket Head Cap Screw	38838	8
10	Facegear	98805	1
11	Adaptor Pawl	98837	2
12	Pawl Spring	98836	2
13	Pawl Spring Pin	38835	2
14	Face Bearing	98806	1
15	Face Bag Spring Pin	38857	1
16	Grease Fitting	40338	1
17	Dowel Pin	48847	1
18	Bearing	98846	7
19	Bearing	98855	1
20	Bearing	98845	1
21	Retaining Ring	38856	1
22	Switch Assembly	98872	1
23	Switch Insulator	98878	1
24	Switch Button	98849	1
25	Finger Disk Spring	98858	1
26	Lock Ring	38875	1

Ref. No.	Description	Item Code	Qty. Used
27	Name Plate	98833	1
28	Fastener, Drive Pin	30133	2
29	Field Screw	98848	2
30	Field	98825	1
31	Ring Tongue Terminal	98859	1
32	Lock Screw	38865	1
33	Set Screw	30018	2
34	Brush Holder, Pack of 2	98897	1
35	Brush Cap, Pack of 2	98898	1
36	Brush Assembly, Pack of 2	98899	1
37	Ground Screw	38870	1
38	X Washer	99010	2
39	Cord Retainer	98883	1
40	Cord	98882	1
41	Insulator Tube	98885	1
42	Terminal Flag, Brush	98877	2
43	Terminal	98860	4
44	Wire	38879	1
45	Wire Nut	98880	1
46	Face Gear Assembly	98902	1
47	Gear Shaft Assembly 1	98903	1
48	Gear Shaft Assembly 2	98904	1
49	Gear Shaft Assembly 3	98905	1
50	Gear Shaft Assembly 4	98906	1
51	Armature Assembly	98912	1
52	Gear Case Assembly	98901	1

Reed Manufacturing
1425 West 8th Street
Erie, PA 16502 USA



Phone: 800-666-3691 or +1 814-452-3691
reedsales@reedmfgco.com
www.reedmfgco.com

RP-1122-55