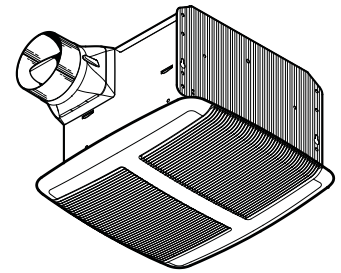


# MODEL SPK110 SPEAKER FAN



### DESCRIPTION

#### BLOWER:

- Plug-in, permanently lubricated motor - engineered for continuous operation
- Dynamically balanced centrifugal blower wheel for quiet, efficient performance
- Low RPM for quiet operation

#### HOUSING:

- Rugged, 26 gauge, galvanized steel construction
- Polymeric, 4" round duct connector with tapered sleeve and no metallic clatter
- 7-5/8" height allows for 2" x 8" ceiling installations
- Sturdy, easy, four-point mounting directly to joist
- Includes unique spacer (patent pending) for mounting to engineered "I" joists
- Can be mounted in ceilings up to 12/12 pitch

#### GRILLE:

- Polymeric construction
- Innovative design - the result of extensive research with designers and consumers

#### SPEAKER ASSEMBLY:

- Dual High-Fidelity Sensonic™ speakers with *Bluetooth*® wireless technology
- Brilliant audio performance concealed behind the fan grille
- Play any audio through most *Bluetooth*® wireless technology enabled devices

#### CONTROLS (Purchase separately):

- Refer to Broan's catalog for a complete line of accessories to effectively adapt these fans to your construction requirements.

U.L. Listed for use over bathtubs and showers when connected to a GFCI protected branch circuit (ceiling mount only).

3-Year Warranty

### TYPICAL SPECIFICATION

Fan shall be Broan Model SPK110.

Fan shall have corrosion resistant galvanized steel housing with four-point mounting capability. It shall be ducted to a roof or wall cap using 4" round ductwork.

Blower assembly shall be removable, have a centrifugal-type blower wheel and a permanently lubricated motor designed for continuous operation.

Speaker assembly shall be removable and play audio files when paired with most *Bluetooth*® wireless technology enabled devices.

Non-metallic damper/duct connector shall be included.

Air delivery shall be no less than 110 CFM and sound level no greater than 1.0 Sone. All air and sound ratings shall be certified by HVI.

Fan shall be ENERGY STAR® qualified and have an energy efficient permanent split capacitor motor.

Fan shall be U.L. Listed for use over bathtubs and showers when connected to a GFCI protected branch circuit.



The *Bluetooth*® word mark and logos are registered trademarks owned by Bluetooth SIG, Inc. and any use of such marks by Broan-NuTone LLC is under license. Other trademarks and trade names are those of their respective owners.

Broan-NuTone LLC Hartford, Wisconsin www.broan.com 800-558-1711  
Broan-NuTone Canada ULC Mississauga, Ontario www.broan.ca 888-882-7626

REFERENCE	QTY.	REMARKS	Project
			Location
			Architect
			Engineer
			Contractor
			Submitted by
			Date

# PERFORMANCE RATINGS MODEL SPK110 SPEAKER FAN

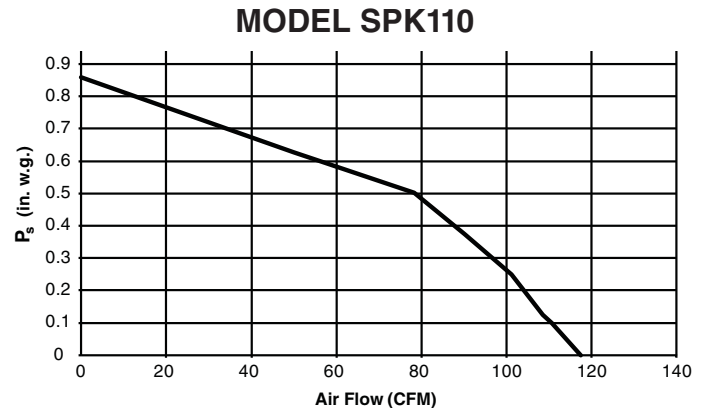
## HVI PERFORMANCE

Model	Static Pressure (Ps)	CFM	Sones	Fan Watts
SPK110	0.10	110	1.0	43.6
	0.25	101		



HVI-2100 CERTIFIED RATINGS comply with new testing technologies and procedures prescribed by the Home Ventilating Institute, for off-the-shelf products, as they are available to consumers. Product performance is rated at 0.1 in. static pressure, based on tests conducted in a state-of-the-art test laboratory. Sones are a measure of humanly-perceived loudness, based on laboratory measurements.

## AIR FLOW PERFORMANCE

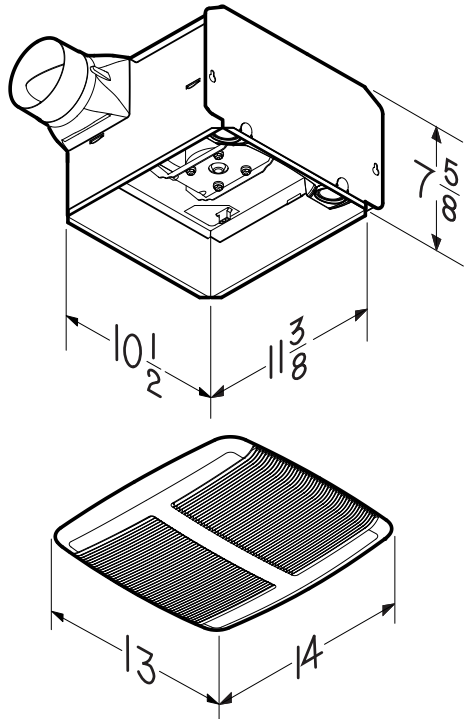


## AMPS

Model	Amps
SPK110	0.9

## WEIGHT

Model	Shipping Weight
SPK110	11.0 lbs.



NOTE: Dimensions shown are in inches.



Broan-NuTone LLC Hartford, Wisconsin [www.broan.com](http://www.broan.com) 800-558-1711

Broan-NuTone Canada ULC Mississauga, Ontario [www.broan.ca](http://www.broan.ca) 888-882-7626