



Submittal Sheet

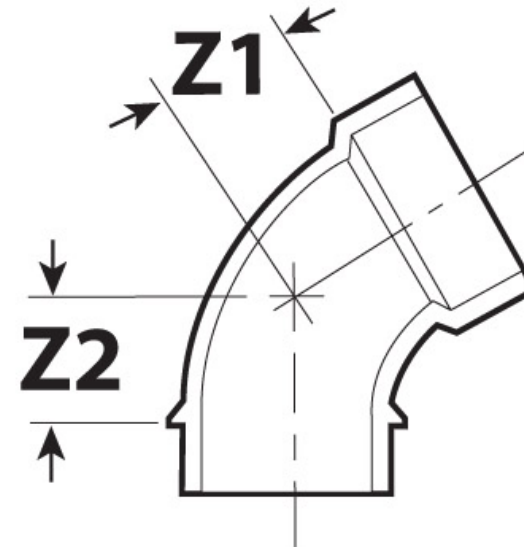
Part Description:

1-1/2" ABS DWV 45 Degree or 1/8 Long Turn Street Bend or Elbow Spigot X H

Part Number:

102401

Approvals and Listings maintained by:  
 Canplas Industries Ltd  
 Canada: 1-800-461-5300 USA: 1-888-461-5307



ASTM



Part #	Part UPC	Colour	Size (inches)	Ctn Qty	Ctn Bar Code	Ctn. Wt (Kgs)	Ctn. Wt (lbs)	Skid Cubic (m)	Skid Cubic (ft)	Ctns/Skid
102401	662671100917	BLACK	1-1/2X1-1/2	100	10662671100914	6.07	13.35	1.79	63.37	48

Dimensions (inches)

Z1	Z2
1.06	1.06