

Residential Direct Vent Energy Saver Gas Water Heater

The Direct Vent FVIR Defender Safety System® Models Feature:



Photo is of
RG2DV50H6N

- **Bradford White ICON System™**—Intelligent gas control with proven millivolt powered technology and built-in piezo igniter. A standard, off the shelf thermopile converts heat energy from the pilot flame into electrical energy to operate the gas valve and microprocessor. No need for external electricity.
 - **Enhanced Performance**—Proprietary algorithms provide enhanced First Hour Delivery ratings and tighter temperature differentials.
 - **Advanced Temperature Control System**—Microprocessor constantly monitors and controls burner operation to maintain consistent and accurate water temperature levels.
 - **Intelligent Diagnostics**—An exclusive green LED light prompts the installer during start-up and provides ten different diagnostic codes to assist in troubleshooting.
 - **Pilot On Indication**—Flashing green LED provides positive indication that pilot is on.
 - **Separate Immersed Thermowell**—High-strength advanced polymer composite thermowell provides isolation between electric temperature sensor and surrounding water. No need to drain the tank when removing gas valve.
- **Closed Combustion**—All air for combustion is taken directly from the outside. The co-axial vent pipe (pipe inside a pipe) draws combustion air in through the outer pipe, and exhausts the products of combustion through the inner pipe. The co-axial vent pipe at the top of the unit can be rotated for venting flexibility.
- **Reinforced Seals**—Seals surround the closed combustion chamber and the FVIR inner door, preventing the ignition of flammable vapors outside of the water heater.
- **Maintenance-Free**—The vent piping and the closed combustion chamber with reinforced seals does not require regular cleaning under normal operating conditions.
- **Sight Window**—Offers a view into the combustion chamber to observe the operation of the pilot and burner.
- **Factory-Installed Hydrojet® Total Performance System**—Cold water inlet sediment reducing device helps prevent sediment build-up in tank. Increases first hour delivery of hot water while minimizing temperature build-up in tank.
- **Vitraglas® Lining**—Bradford White tanks are lined with an exclusively engineered enamel formula that provides superior tank protection from the highly corrosive effects of hot water. This formula (Vitraglas®) is fused to the steel surface by firing at a temperature of over 1600°F (871°C).
- **Cast Aluminum Air Intake Boot**—A cast molded air intake boot provides exceptional installation durability.
- **Telescoping Solid Vent Kits**—Multiple kits (see reverse side) allow up to 8ft. vertical and 8ft. horizontal vent lengths (horizontal termination only).
- **Flexible Vent Kit**—The maximum vent length (horizontal and vertical) can be flexed to 100" (horizontal termination only).
- **Side Connections**—3/4" NPT tapings allow easy connections for space heating applications (Potable water only) (RG2DV50H6N only).
- **2" Non-CFC Foam Insulation**—Surrounds the tank surface, saving energy by reducing the amount of heat loss.
- **Pedestal Base.**
- **Water Connections**—3/4" NPT factory-installed true dielectric fittings.
- **Factory-Installed Heat Traps.**
- **Protective Magnesium Anode Rod.**
- **T&P Relief Valve**—Installed.
- **Low Restriction Brass Drain Valve**—Durable tamper-proof design.

FEATURING:



6 or 10-Year Limited Tank Warranties / 6 or 10-Year Limited Warranty on Component Parts.

For more information on warranty, please visit www.bradfordwhite.com

For products installed in USA, Canada and Puerto Rico. Some states do not allow limitations on warranties. See complete copy of the warranty included with the heater.

Residential Direct Vent Water Heater

Energy Saver Models

NATURAL GAS AND LIQUID PROPANE GAS

Meet or exceed ASHRAE 90.1b (current standard) C.E.C. Listed
78% Recovery Efficiency

Model Number	Capacity		Nat. BTU/Hr. Input	LP BTU/Hr. Input	1st Hour Rating (Gal.)	Energy Factor	Recovery at 90°F Rise*				Model Number	Capacity		1st Hour Rating (Liters)	Energy Factor	Recovery at 50°C Rise*		
	U.S. Gal.	Imp. Gal.					Nat. U.S. GPH	Nat. Imp. GPH	LP U.S. GPH	LP Imp. GPH		Nat. Liters/ Hour	LP Liters/ Hour			Nat. kW Input	LP kW Input	Nat. Liters/ Hour
RG2DV40S6N	40	33	38,000	36,000	73	0.62	41	34	39	32	RG2DV40S6N	151	11.1	10.5	276	0.62	155	148
RG2DV50S6N	50	42	42,000	40,000	88	0.60	45	35	43	36	RG2DV50S6N	189	12.3	11.7	333	0.60	170	163
RG2DV50H6N	48	40	50,000	48,000	93	0.60	54	45	50	42	RG2DV50H6N	182	14.7	14.0	352	0.60	204	189

Model Number	A	B	C		D	E	F	H	J	K	L	M	Approx. Shipping Weight lbs.
	Floor to C/L of Vent in.	Jacket Dia. in.	Vent Size in. I.D.	Vent Size in. O.D.	Floor to T&P Conn. in.	Floor to Gas Conn. in.	Floor to Top of Heater in.	C/L of Water Conn. in.	Floor to Water Conn. in.	Depth in.	Floor to Space Heating Inlet in.	Floor to Space Heating Outlet in.	
RG2DV40S6N	63 3/8 min.	22	3	5	43 3/8	15	50 3/8	8	51 1/8	31	—	—	223
RG2DV50S6N	72 3/8 min.	22	3	5	52 1/4	15	59 3/8	11	60 1/8	31	—	—	193
RG2DV50H6N	72 5/16 min.	22	4	6	52 1/4	15	59 1/8	8	60 1/8	31	15 3/4	52 1/4	217

Model Number	A	B	C		D	E	F	H	J	K	L	M	Approx. Shipping Weight kg.
	Floor to C/L of Vent mm.	Jacket Dia. mm.	Vent Size mm. I.D.	Vent Size mm. O.D.	Floor to T&P Conn. mm.	Floor to Gas Conn. mm.	Floor to Top of Heater mm.	C/L of Water Conn. mm.	Floor to Water Conn. mm.	Depth mm.	Floor to Space Heating Inlet mm.	Floor to Space Heating Outlet mm.	
RG2DV40S6N	1610 min.	559	76	127	1102	381	1275	203	1299	787	—	—	101
RG2DV50S6N	1838 min.	559	76	127	1327	381	1503	279	1527	787	—	—	88
RG2DV50H6N	1837 min.	559	102	152	1327	381	1502	203	1527	787	400	1327	98

All Propane models feature a Titanium Stainless Steel propane burner. For Propane (LP) models change suffix "N" to "X". For 10 year models, change suffix from "6" to "10". *Based on manufacturer's rated recovery efficiency. Energy Factor and First Hour Rating is based on the latest AHRI directory listings.

RG2DV40S6N / RG2DV50S6N Solid Vent Kit: Part No. 239-51283-00. **RG2DV40S6N / RG2DV50S6N Flexible Vent Kit:** Part No. 239-51284-00.

RG2DV50H6N Solid Vent Kit: Part No. 239-51286-00. **RG2DV50H6N Flexible Vent Kit:** Part No. 239-51287-00.

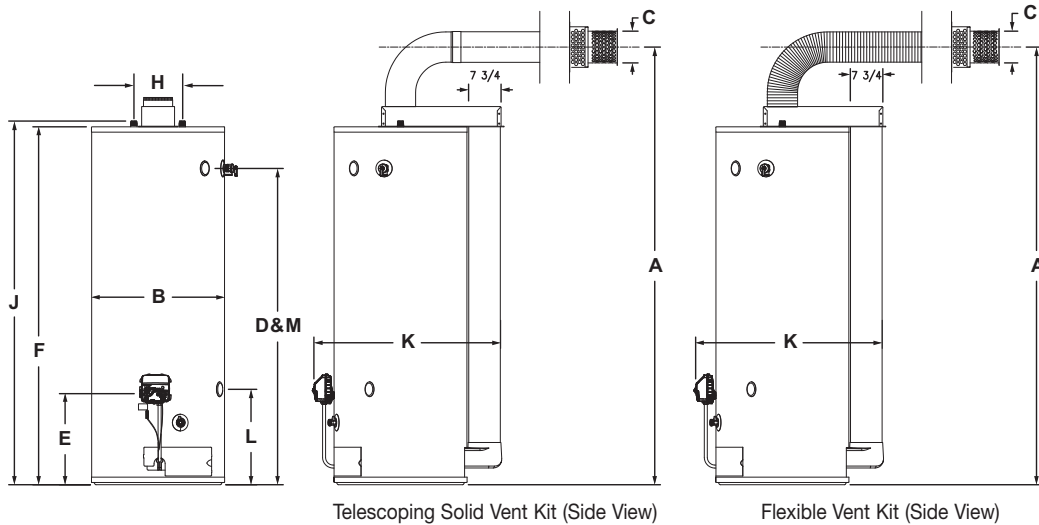
Kits can be ordered and shipped with water heater, or ordered and shipped separately. For vent kit components and venting instructions, refer to Installation and Operation Manual.

RG2DV40S6N / RG2DV50S6N Optional Telescoping Solid Vent Kits:

- Kit "A"** Telescopes from 4 3/4" to 5 1/16" Part No. 239-41260-00
- Kit "B"** Telescopes from 6 1/2" to 9 3/8" Part No. 239-41331-00
- Kit "C"** Telescopes from 13 3/4" to 23 1/16" Part No. 239-41029-00
- Kit "D"** Telescopes from 49 1/16" to 95 1/16" Part No. 239-41424-00

RG2DV50H6N Optional Telescoping Solid Vent Kits:

- Kit "F"** Telescopes from 4 3/4" to 5 1/16" Part No. 239-42516-00
- Kit "G"** Telescopes from 6 1/2" to 9 3/8" Part No. 239-42517-00
- Kit "H"** Telescopes from 13 3/4" to 23 1/16" Part No. 239-42514-00
- Kit "I"** Telescopes from 49 1/16" to 95 1/16" Part No. 239-42512-00



General: All gas water heaters are certified at 300 PSI test pressure (2068 kPa) and 150 PSI working pressure (1034 kPa). All potable water connections are 3/4" NPT (19mm). All gas connections 1/2" (13mm).

All models design-certified by CSA International (formerly AGA/CGA), ANSI Z-21.10.1 and peak performance rated.

Dimensions and specifications subject to change without notice in accordance with our policy of continuous product improvement.

Suitable for Water (Potable) Heating and Space Heating.

Toxic chemicals, such as those used for boiler treatment, shall NEVER be introduced into this system. This unit may NEVER be connected to any existing heating system or component(s) previously used with a non-potable water heating appliance.



For U.S. and Canada field service, contact your professional installer or local Bradford White sales representative.
Sales 800-523-2931 • Fax 215-641-1670 / Technical Support 800-334-3393 • Fax 269-795-1089 • Warranty 800-531-2111 • Fax 269-795-1089
International: Telephone 215-641-9400 • Telefax 215-641-9750 / www.bradfordwhite.com

BRADFORD WHITE-CANADA INC. Sales / Technical Support 866-690-0961 / 905-238-0100 • Fax 905-238-0105 / www.bradfordwhite.com

Built to be the Best™