



Buy it for looks. Buy it for life.®

Specifications

Model Number	Faucet Holes	Depth-Inches	Drain Placement	ADA Compliant
G202852B	2	L: 5-1/2", R: 6-1/2"	Rear (Center)	
G202854 <i>(pictured)</i>	4	L: 5-1/2", R: 6-1/2"	Center	
G202853	3	L: 5-1/2", R: 6-1/2"	Center	
G202864	4	L: 5-1/2", R: 8"	Center	
G202861	1	L: 5-1/2", R: 6-1/2"	Center	



SINK DESCRIPTION

- 2000 Series double bowl drop-in sink
- 20 gauge stainless steel, brushed finish
- U-channel mounting system, hardware included
- SoundSHIELD™ sound absorbing system

WARRANTY

- Lifetime limited warranty to the original homeowner
- 10 year limited warranty when used in a Multi-family installation
- 5 year limited warranty when used in a Commercial installation
- Visit www.moen.com/customer-support/warranty for complete details and limitations

SINK DIMENSIONS

- Overall: 33" x 22"
- Left Bowl: 7-1/2" x 16"
- Right Bowl: 21-1/4" x 16"
- Drain Size: 3-5/8"

CUT OUT DIMENSIONS

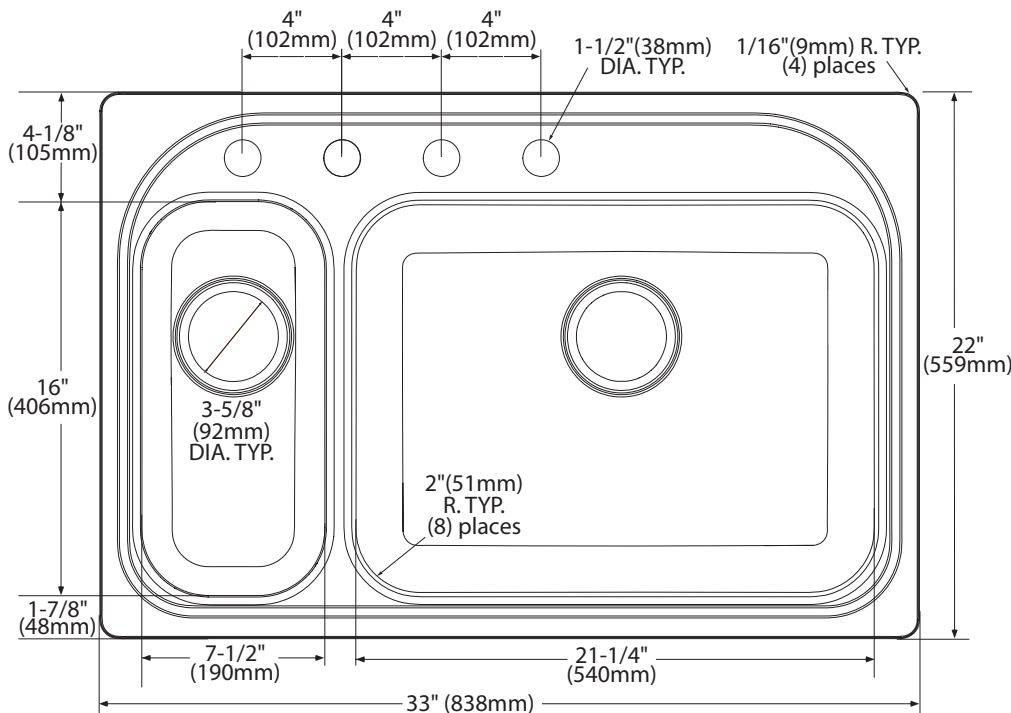
- 32-1/2" x 21-1/2" with 3/8" corner radius, tolerance of plus or minus 1/16" is acceptable

STANDARDS

- Third party certified to meet ASME A112.19.3/CSA B45.4 and all applicable specifications referenced therein

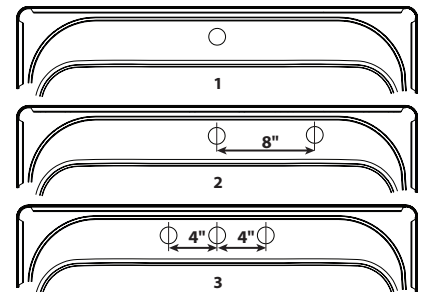
CRITICAL DIMENSIONS

(DO NOT SCALE)

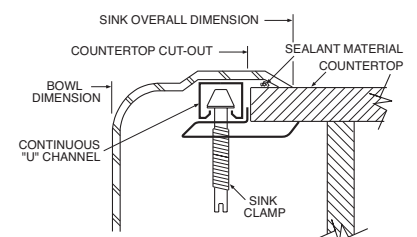


Faucet Hole Configurations

1-1/2" (38mm) diameter faucet holes
4" (102mm) Center



Installation Detail



MADE IN THE USA