



Buy it for looks. Buy it for life.®

**DESCRIPTION**

- Metal construction
- 1/2" CC/IPS type connections with ¼ turn stops
- Includes two mounting bracket, two manifolds, and mounting screws

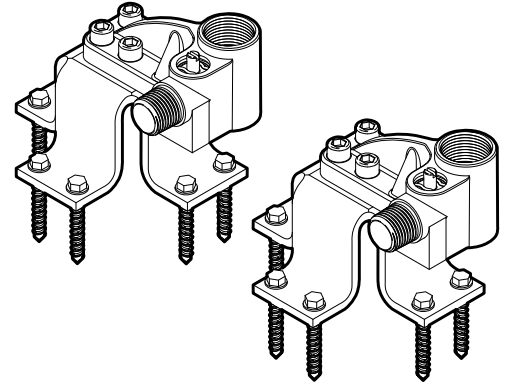
**OPERATION**

- Expandable mounting brackets for joists between 12" and 24" apart

**WARRANTY**

- Lifetime limited warranty against leaks, drips and finish defects to the original consumer purchaser
- 5 year warranty if used in commercial installations

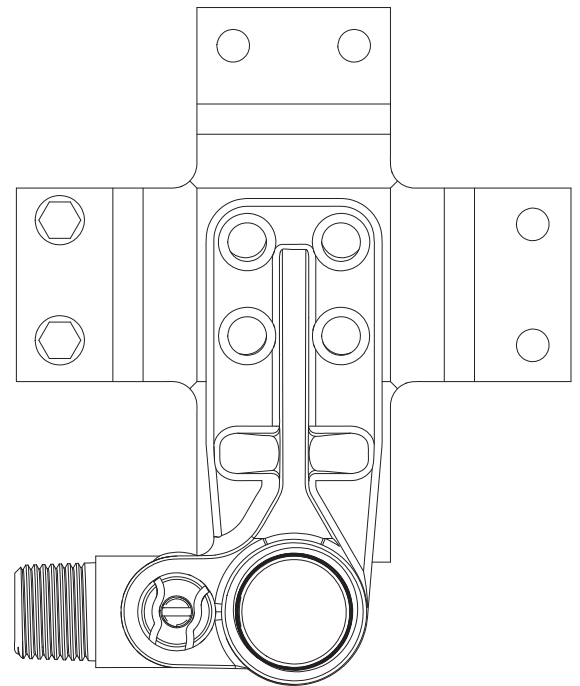
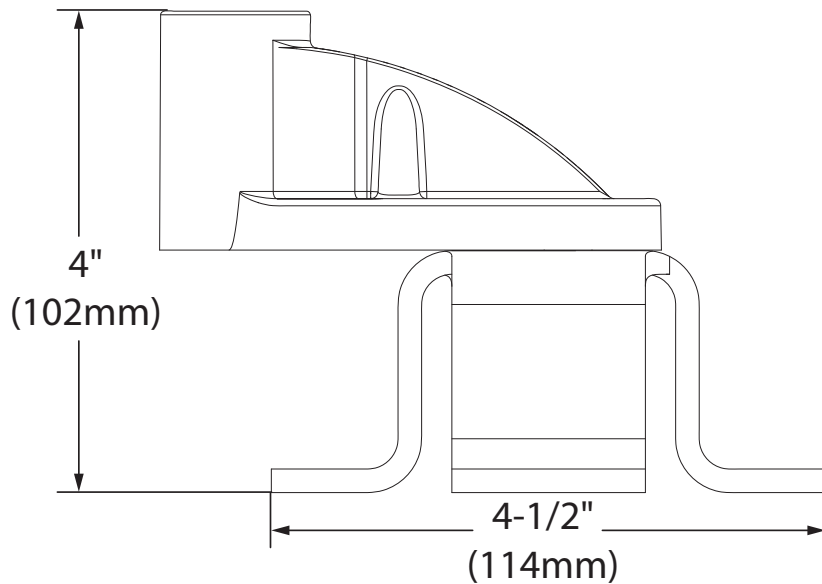
# Specifications



**M-PACT™**  
**Double Riser Floor Mount Tub Filler**  
**For Concrete Rough-In Valve**

**Model:** TS50210 series

For use with TS25105 series risers



**CRITICAL DIMENSIONS**

(DO NOT SCALE)

**FOR MORE INFORMATION CALL: 1-800-BUY-MOEN**

**www.moen.com**