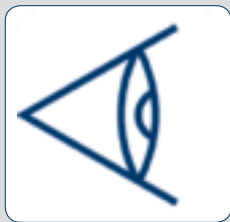


# CMBE

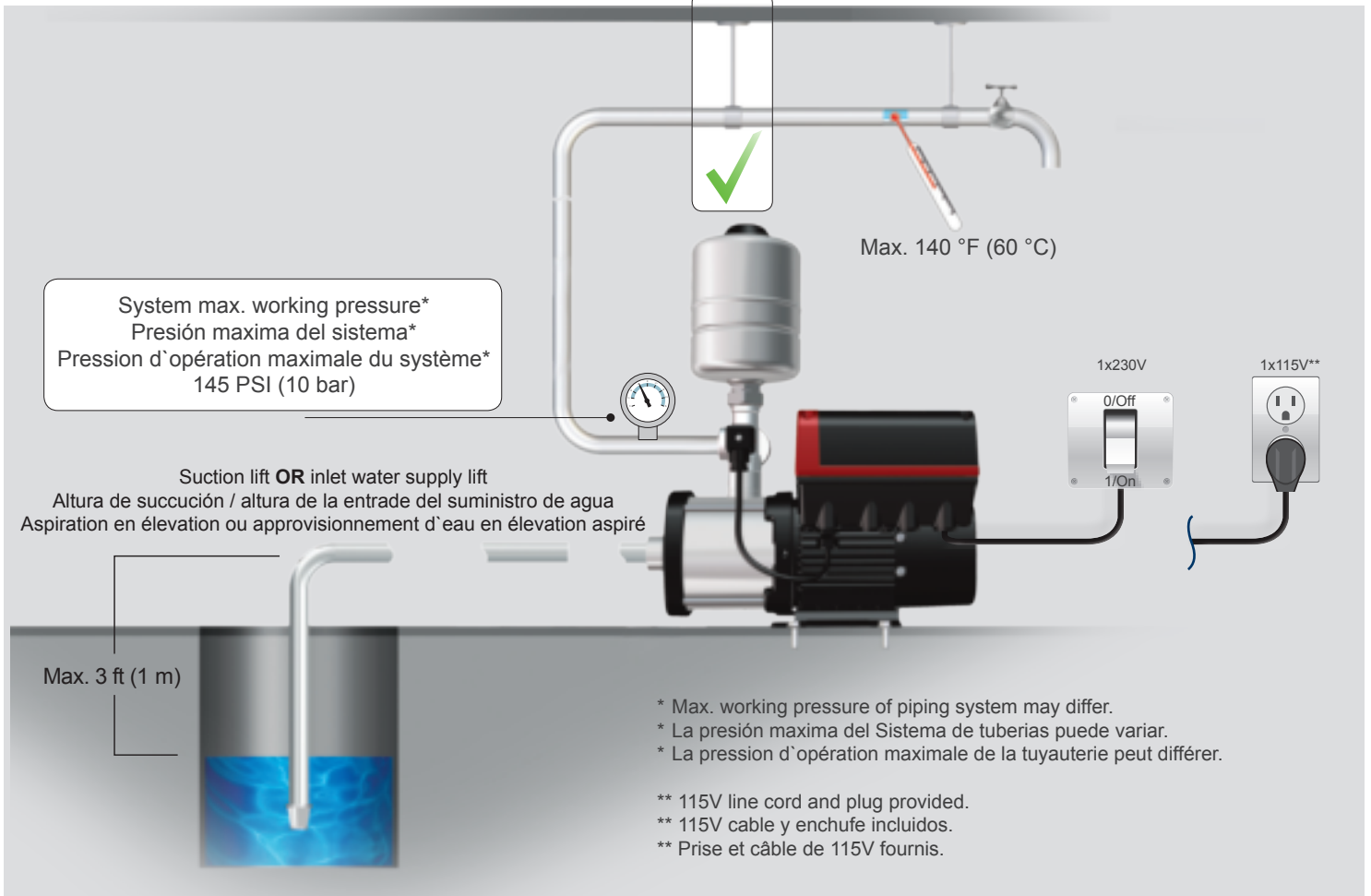


1



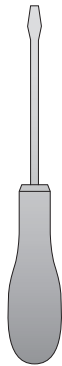
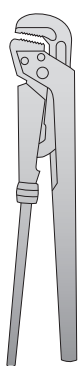
Max.  
122 °F (50 °C)



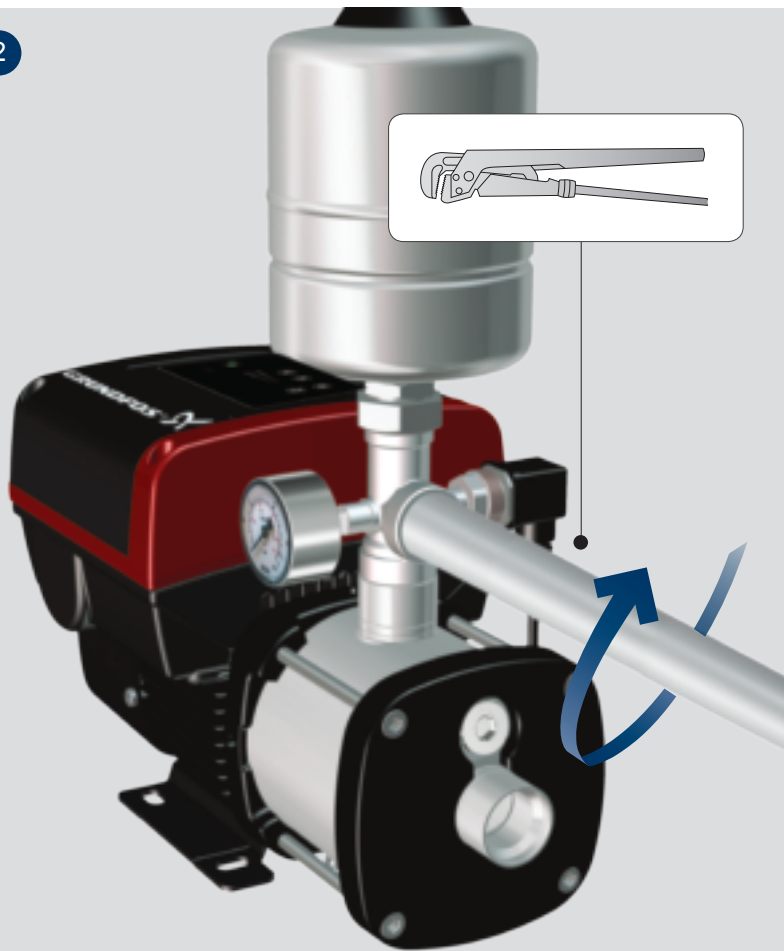
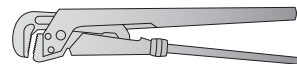




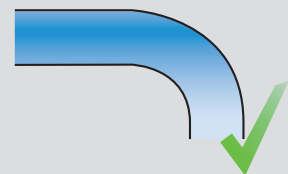
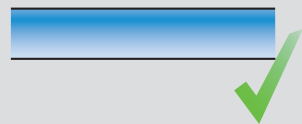
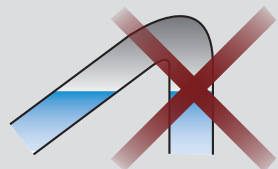
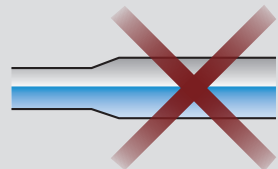
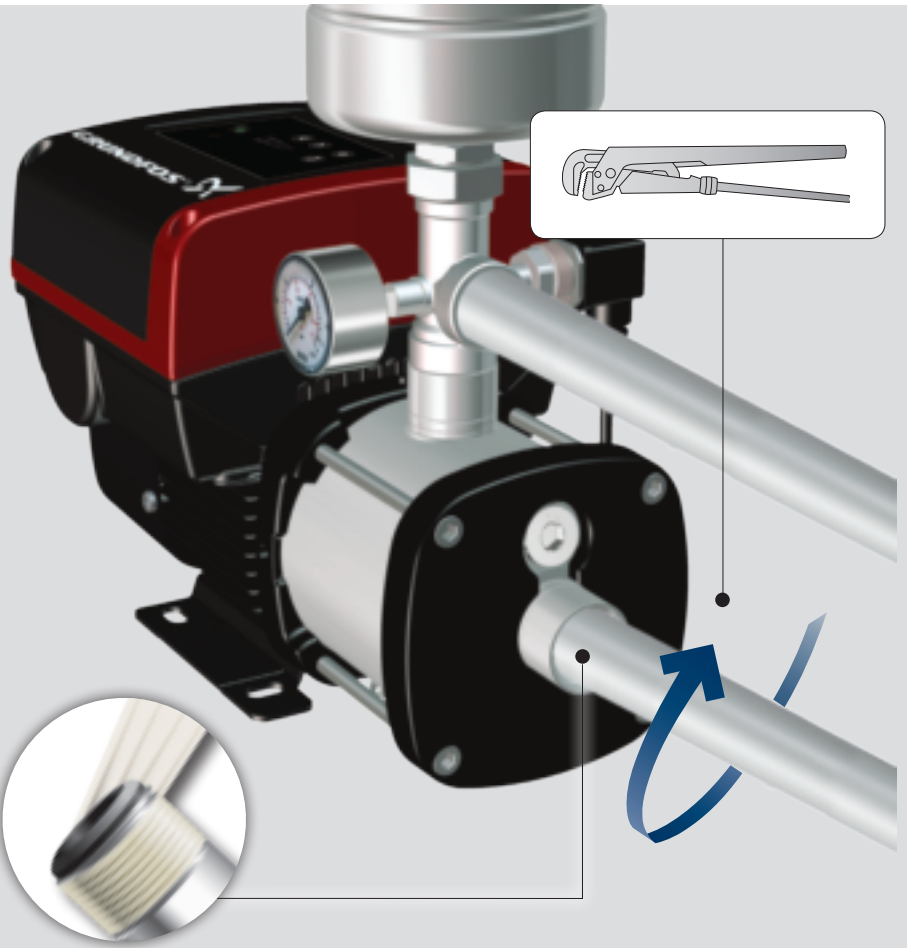
10 mm



2

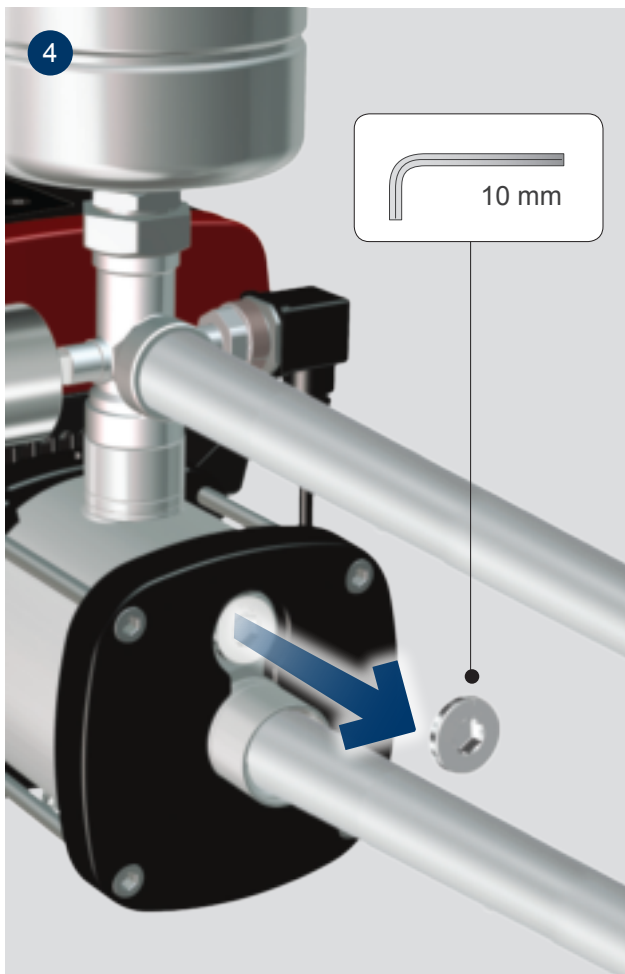


3





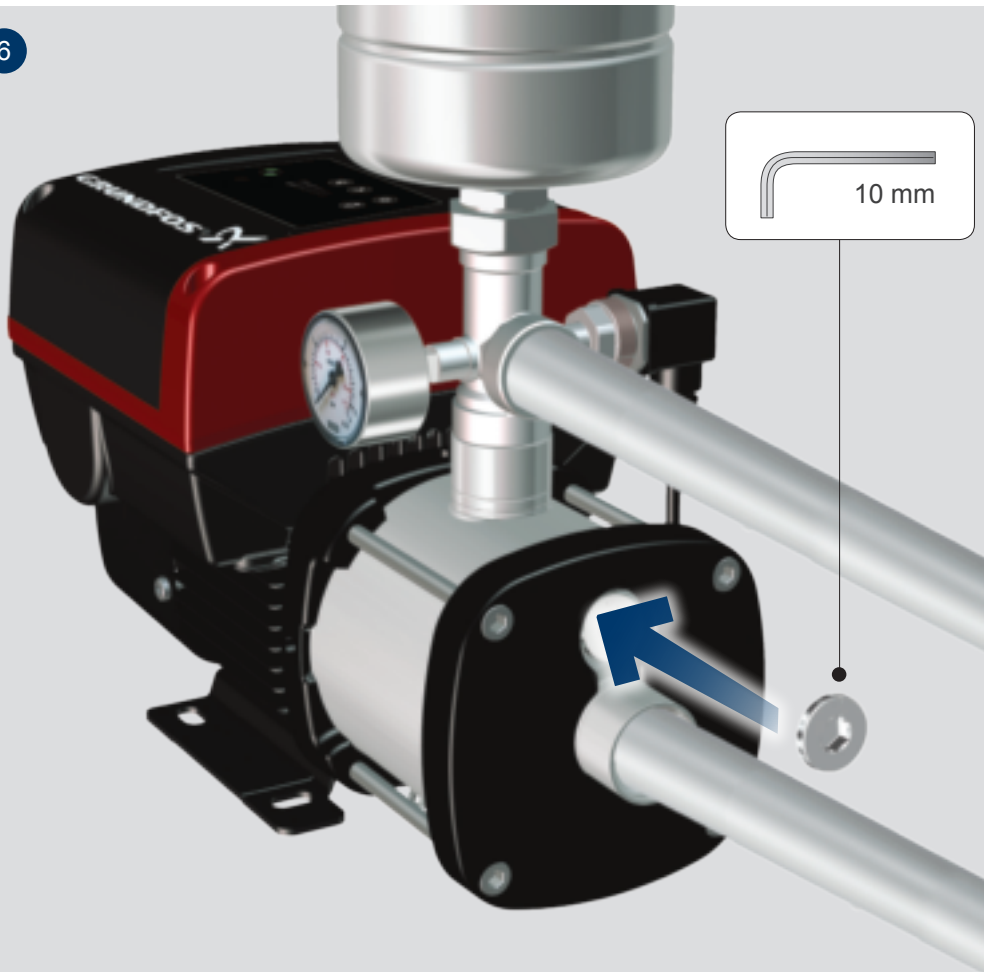
4



5

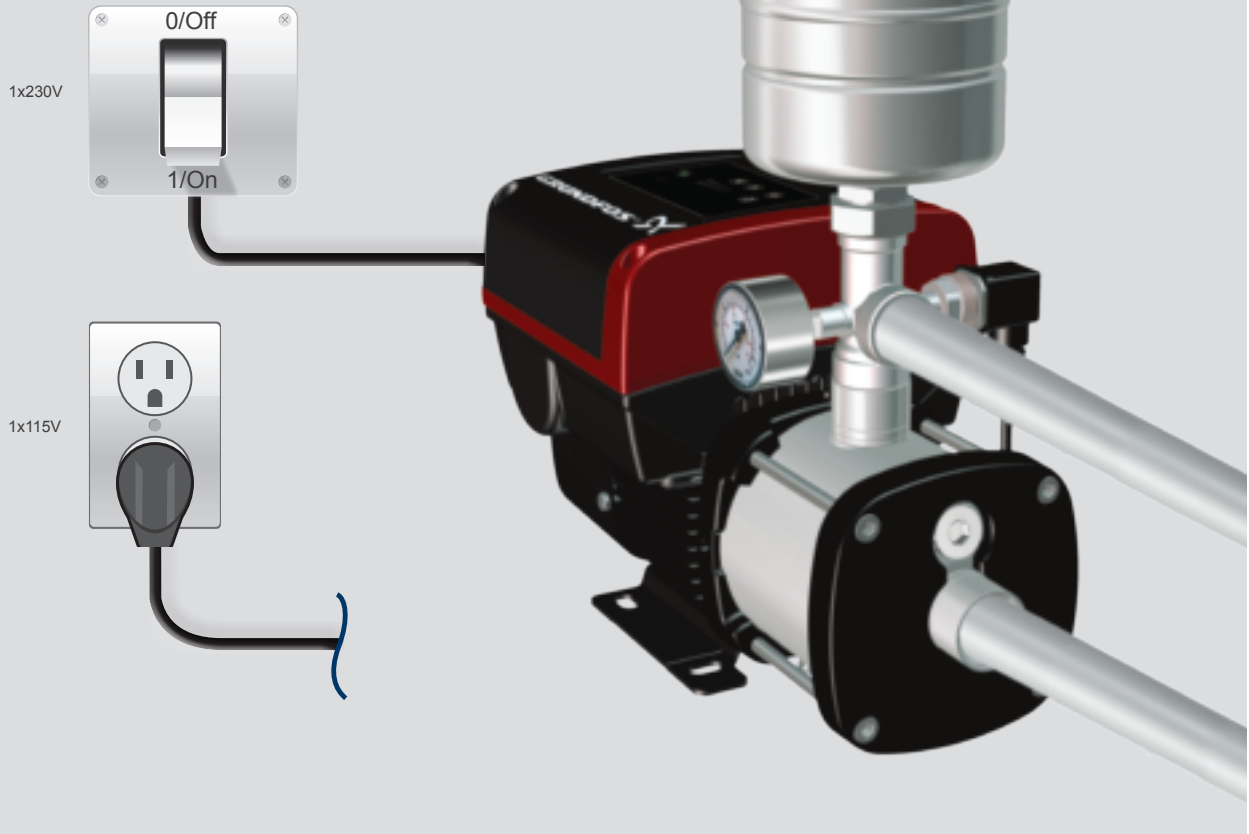


6





7



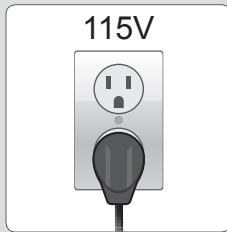
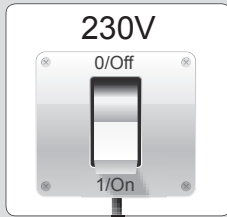




## GRUNDFOS EYE

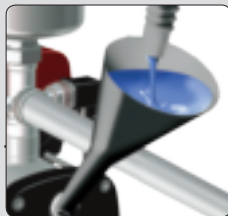
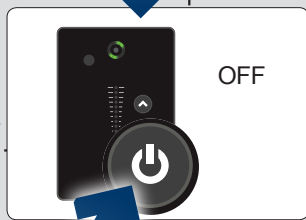
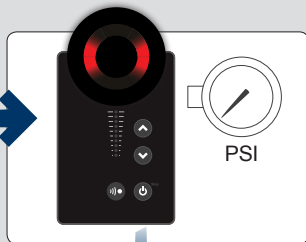
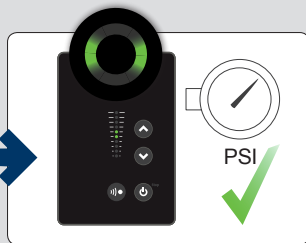
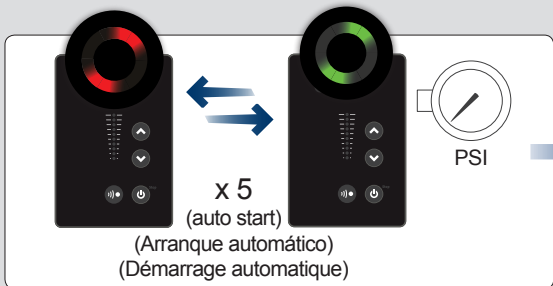
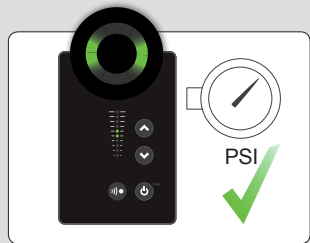


<http://net.grundfos.com/qri/98566351>



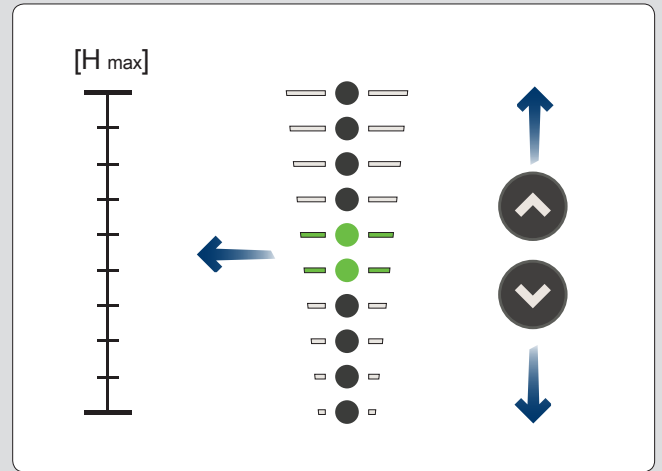
(Stop)  
(Paro)  
(Arrêt)







Setpoint settings  
Punto de ajuste  
Réglage du point de consigne



---

---

---

---

---

---

---

---

---

---



---

---

---

---

---

---

---

---

---

---

**GRUNDFOS Kansas City**

17100 West 118th Terrace  
Olathe, Kansas 66061  
Phone: (913) 227-3400  
Fax: (913) 227-3500  
[www.grundfos.us](http://www.grundfos.us)

**GRUNDFOS Canada**

2941 Brighton Road  
Oakville, Ontario L6H 6C9 Canada  
Phone: +1-905 829 9533  
Telefax: +1-905 829 9512  
[www.grundfos.ca](http://www.grundfos.ca)

**GRUNDFOS Mexico**

Boulevard TLC No. 15  
Parque Industrial Stiva Aeropuerto  
C.P. 66600 Apodaca, N.L. Mexico  
Phone: 011-52-81-8144 4000  
Fax: 011-52-81-8144 4010  
[www.grundfos.mx](http://www.grundfos.mx)

Addresses revised 13.08.2013

be think innovate

---

98632410 0215

ECM: 1151656

**GRUNDFOS** 

The name Grundfos, the Grundfos logo, and be think innovate are registered trademarks owned by Grundfos Holding AS or Grundfos AS, Denmark. All rights reserved worldwide.