

# Via™ Technical Specification

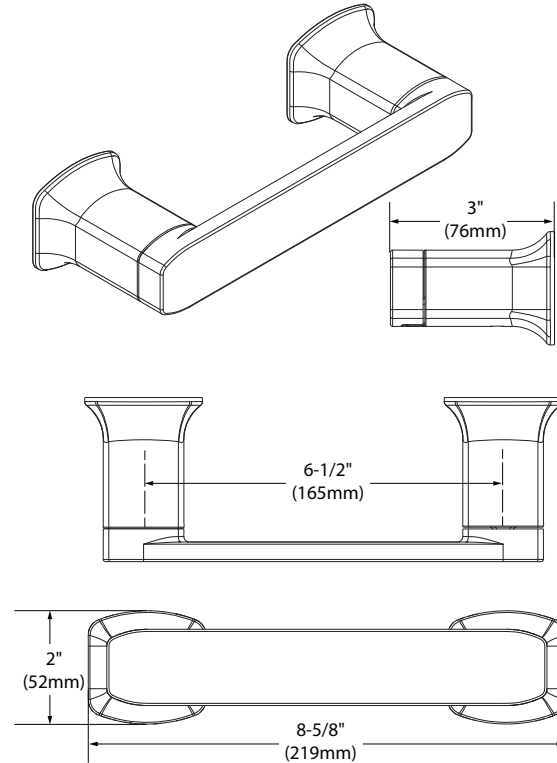
## Paper Holder

YB5008

### Stock Numbers:

- YB5008CH – Paper Holder  
Chrome Finish

### Dimensions:



### Materials:

Paper Holder is constructed of zinc.

### Installation Instructions:

1. Remove the mounting bracket from the body by loosening the setscrew.
2. Position the assembled unit on the wall where desired.
3. Lightly mark the outline of each base.
4. Center a mounting bracket within each base outline with "UP" facing you.
5. Mark the 2 large hole locations of each mounting bracket.
6. Attach each mounting bracket to the wall, using the wall anchors provided.
7. Mount each base on the corresponding mounting bracket. Check and make sure that the base set screw hole(s) are facing down. Assemble a set screw to each base. Use the allen wrench included in hardware kit to tighten each set screw and secure the assembly to the mounting bracket(s).

### Installation Instructions:

To preserve the fine finish of this product, clean only with a soft damp cloth. Dry well. Do not use commercial or abrasive cleaners.



Buy it for looks. Buy it for life.®

Stock Number: \_\_\_\_\_ Paper Holder  
By MOEN

25300 AL MOEN DRIVE • NORTH OLMSTED, OH 44070  
CORPORATE HEADQUARTERS: (800) 321-8809 • FAX: (800) 848-6636  
INTERNATIONAL: (440) 962-2000 • FAX: (440) 962-2726  
CUSTOMER SERVICE (USA): (800) 882-0116 • FAX: (888) 379-2720  
WWW.MOEN.COM ©Copyright Moen, Inc.