

MODEL NUMBERS

MILLIVOLT

NAT. GAS
CDV155C

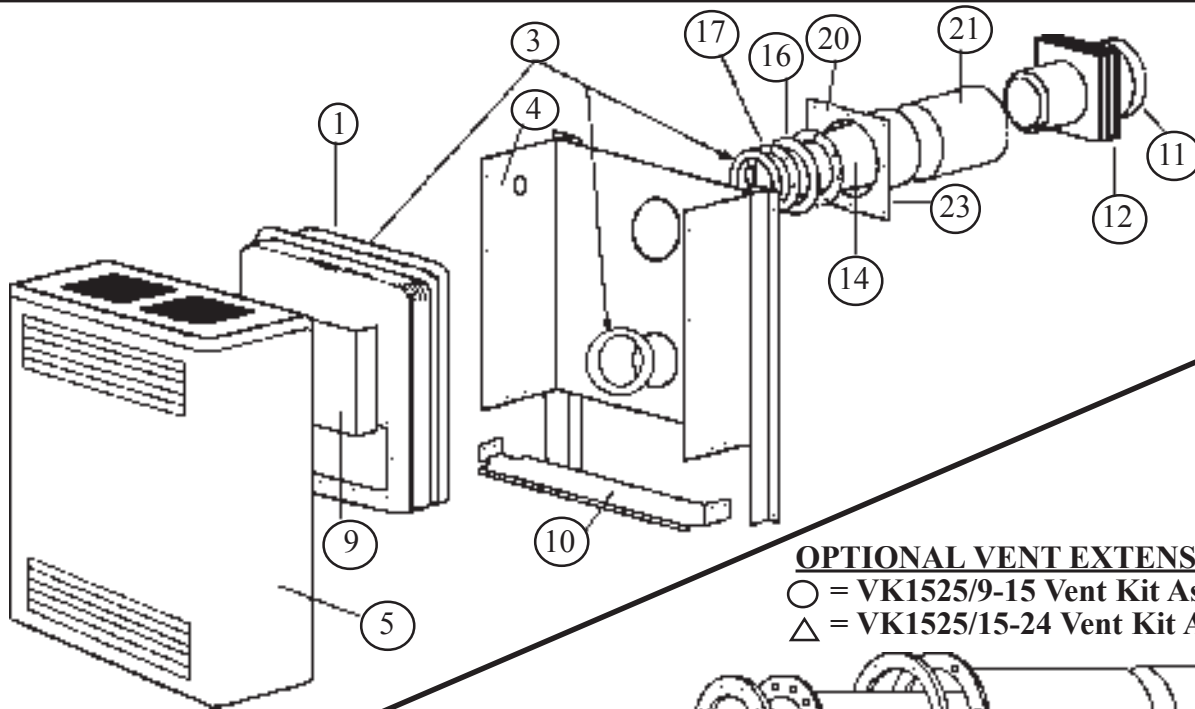
L.P. GAS
CDV156C

DIRECT VENT WALL FURNACE

PARTS LIST

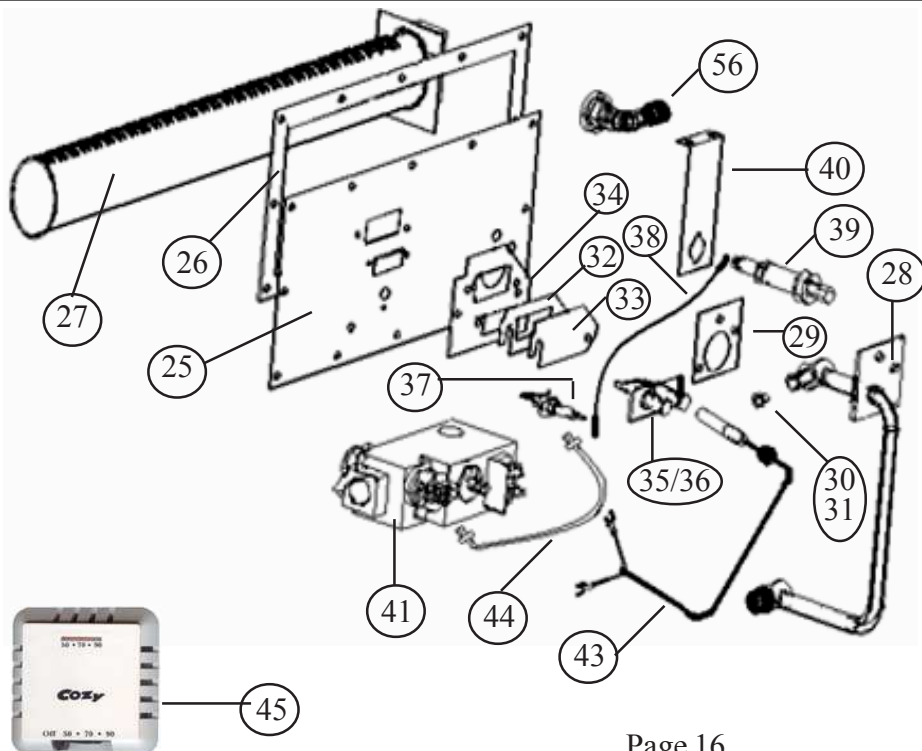
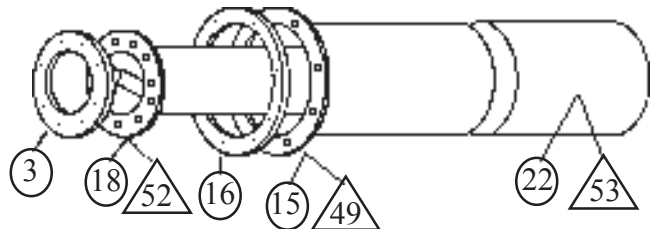
Prices and specifications subject to change without notice. All prices are F.O.B. factory.

COZY DIRECT VENT WALL FURNACE - CDV15-C

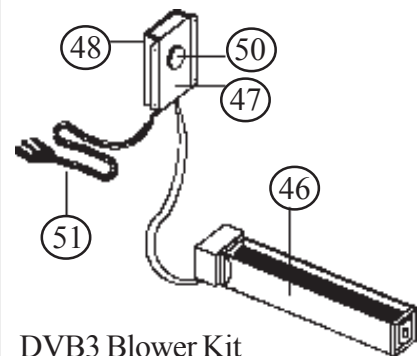


OPTIONAL VENT EXTENSIONS

- = VK1525/9-15 Vent Kit Assembly
- △ = VK1525/15-24 Vent Kit Assembly



OPTIONAL BLOWER ASSEMBLY / DVB-3



DVB3 Blower Kit
also includes:

43078 Cover Plate
43625 Blower Shield
for CDV25/33

HOW TO PROPERLY ORDER PARTS: In addition to part description and part number, please give model number, serial number, and type of gas used. This information can be found on the rating plate located in control compartment.

MODEL NUMBERS	NAT.	CDV155C
	L.P.	CDV156C
PART DESCRIPTION	REF. NO.	PART NUMBER
Heat Exchanger	1	42565
Vent Exhaust Tube Gasket - 5-3/8" Circle	3	70062
Wrapper Assembly w/Comb. Air Pan	4	43051
Cabinet	5	42555
Front Heat Shield	9	43081
Bottom Heat Shield	10	43075
Vent Cap & Spacer Plate	11 & 12	43145
Air Intake Tube Assy. (5-9" Wall) 6-3/4" Dia.	14	43200
Air Intake Tube Assembly (9-15" Wall)	15	43810
Air Intake Tube Assembly (15-24" Wall)	49	43705
Air Intake Tube Gasket - 8-1/2" Circle	16	70061
Vent Exhaust Tube Assy. (5-9" Wall) 4-3/16" Dia.	17	43206
Vent Exhaust Tube Assembly (9-15" Wall)	18	43820
Vent Exhaust Tube Assembly (15-24" Wall)	52	43717
Wall Thimble Assembly (5 - 9" Wall)	20	43230
Wall Thimble Extension (5-9" Wall)	21	43236
Wall Thimble Extension (9-15" Wall)	22	43835
Wall Thimble Extension (15-24" Wall)	53	43730
Wall Thimble Gasket - 11x11"	23	70066
Burner Access Door	25	43247
Heat Exchanger Door Gasket - 11-3/8x5-1/2"(Burner Gasket)	26	70060
Main Burner	27	70005
Manifold	28	70031
Manifold Gasket - 2x2"	29	70065
Main Burner Orifice, Natural Gas	30	70040
Main Burner Orifice, L.P. Gas	31	70041
Sight Glass Assy. (Glass, Cover & Gasket included)	32	43252
Sight Glass Cover	33	43258
Sight Glass/Pilot Burner, Gasket - 3-1/2x2-3/4"	34	70064
Pilot Burner Q350A2493, Natural Gas	35	70007
Pilot Burner Q350A2501, L.P. Gas	36	70008
Electrode	37	70052
Electrode Wire	38	70051
Piezo Sparker	39	80016
Piezo Sparker Bracket	40	43263
Valve, MV, Dexen 6003, Natural Gas for CDV155	41	84085
Valve, MV, Dexen 6003LP, L.P. Gas for CDV156	41	84086
Generator, Q313A1014 for CDV155 / CDV156	43	70098
Pilot Tubing w/fittings	44	70012
Thermostat	45	74592
Thermostat Wire	N/A	74518
Insulated Staples	N/A	74209
Air Pan Assembly w/Gasket for CDV15	N/A	43059
90 Degree Elbow	56	70352
Vent Terminal Shield	N/A	34950
Blower Housing w/Motor & Blower	46	70201
Junction Box	47	43610
Junction Box Cover	48	43620
Fan Switch 120 Degrees	50	70110
Cord Set	51	80202
Cover plate	N/A	43078