

RPS 75i with Intelligent Flow Technology™

Comparing the RPS 75i with Intelligent Flow Technology™ (IFT) to another popular gear-driven rotor with Flow Shut Off brings up interesting differences between the engineering technologies of the two products.

The RPS 75i with IFT is unique because as the distance and flow adjustment is turned to change distance, the GPM changes proportionately and simultaneously. Uniform watering and accurate distance control are maintained. *See Figure 1.*

In *Figure 1* you can see that the Flow Control Device is directly behind the nozzle. This placement is critical to maintain water velocity and high pressure as close to the nozzle as possible to ensure superior nozzle performance. As distance is decreased, the Flow Control Device is slowly turning and reducing the GPM incrementally until the water flow is completely turned off all the while maintaining a uniform discharge pattern.

The RPS 75i with Intelligent Flow Technology™ provides both flow control and complete shut off directly from the head.

In *Figure 2*, the Shut Off Device is located so far upstream from the nozzle that it changes the water pressure and velocity between the Shut Off Device and the nozzle. Therefore, nozzle pressure is reduced, not flow. Uniform watering and accurate distance control are not properly maintained.

The technology exhibited in *Figure 2* is designed primarily as a Flow Shut Off, which stops the flow of water from the head, but does not provide accurate distance and flow control.

Figure 1

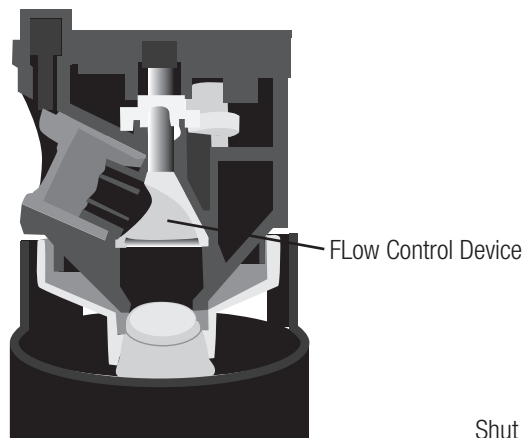


Figure 2

