

Note: Rockler may not carry all products and/or sizes listed in this vendor's publication

PORTER-CABLE

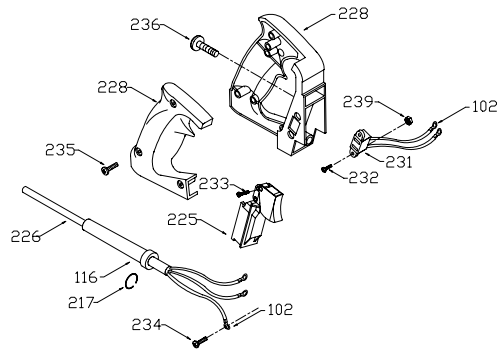
D-HANDLE ROUTER

(43752 - 691)

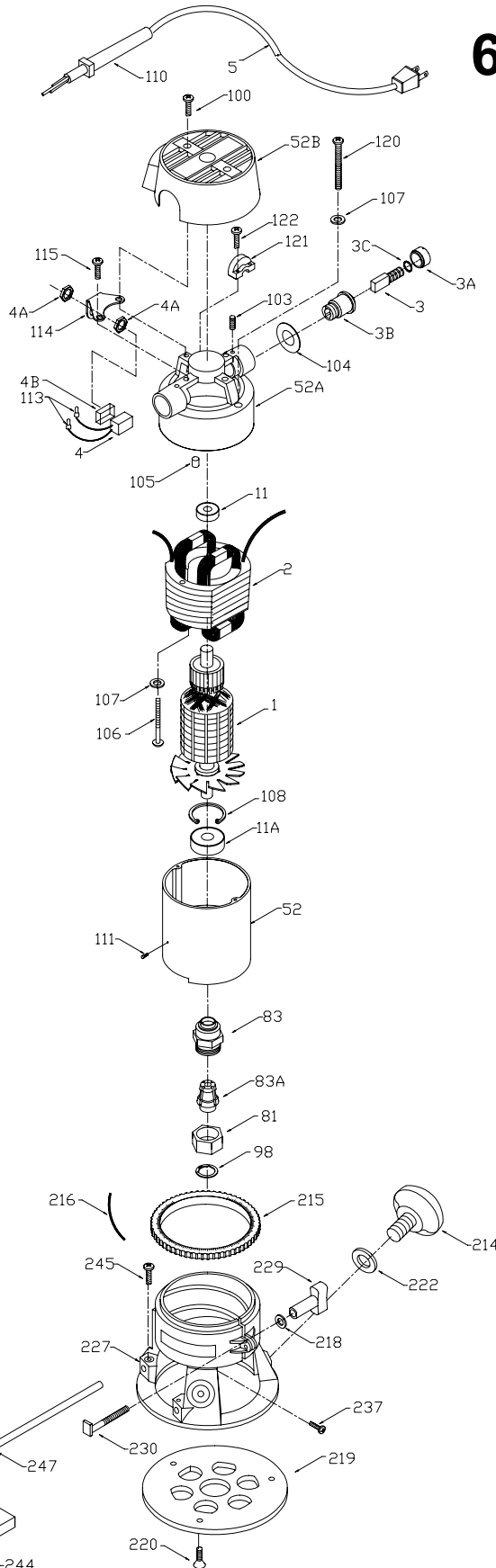
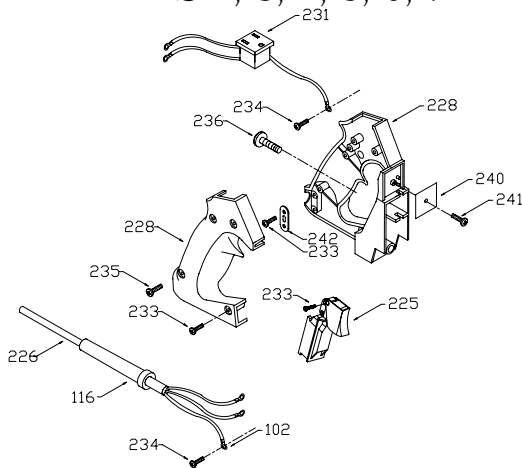
WARNING: Electrical repairs should only be attempted by trained repairmen. Contact the nearest Porter-Cable Service Center or other competent repair center.

6911
6912
694917

TYPE 1



TYPES 2, 3, 4, 5, 6, 7



6911 6912 694917

MOTOR PARTS (6912, 694917)

Ref.	Part No.	Description
1	903660	ARMATURE, T THRU T7
	682058	ARMATURE, T1
2	903659	FIELD, T7
	699326	FIELD, T2, T3, T4, T5, T6
	682114	FIELD, T1
3	824216	BRUSH
3A	803483	BRUSH CAP
3B	873497	BRUSH HOLDER
3C	885267	O-RING, T7
4	903599	MOTOR SWITCH, T7
	842606	MOTOR SWITCH, T1, T2, T3, T4, T5, T6 INCL.: REF. 4A
4A	694771	SWITCH NUT, T1, T2, T3, T4, T5, T6
4B	877797	SWITCH COVER, T7
5	873717	CORD, (694917) T5, T7
	873716	CORD, 6912 T5 & T6
	876684	CORD, 6912 EXCEPT T5
	876683	CORD, (694917) T1, T2, T4
11	855284	COMMUTATOR BEARING
11A	878065	FAN BEARING, T THRU T7
	858525	FAN BEARING, T1
52	858457	FRONT HOUSING
52A	896687	REAR HOUSING
52B	903124	HOUSING CAP, T7
	888727	HOUSING CAP, T1, T2, T3, T4, T5, T6
81	875893	NUT
83	872793	CHUCK
83A	42999**	1/4" COLLET ASSY., INCL.: REF. 81, 83A, 98
	876669	1/4" COLLET
	42950**	1/2" COLLET ASSY., INCL.: REF. 81, 83A, 98
	876671	1/2" COLLET
98	823030	SNAP-RING
100	n 878389	SCREW
102	849314	TERMINAL
103	803632	SET SCREW, T6, T7
	804360	SET SCREW, T1, T2, T3, T4, T5
104	803496	BRUSH HOLDER WASHER
105	842597	BEARING PLUG
106	838312	FIELD SCREW, T THRU T7
	863393	FIELD SCREW, T1
107	802430	FIELD SCREW WASHER, T1
108	802426	BEARING RING
110	843464	STRAIN RELIEF, (6912 T5 & T6, 694917 T4)
111	800835	GUIDE PIN
113	682063	CONNECTOR
114	842598	SWITCH BRACKET
115	802764	SWITCH BRACKET SCREW
116	843464	STRAIN RELIEF, T1 & T7
	810716	STRAIN RELIEF, T2, T3, T4, T5, T6
120	838310	FRONT HOUSING SCREW
121	874137	CORD CLAMP
122	848564	CLAMP SCREW
*	803104	FIELD LEAD
*	874299**	ARMATURE FAN, T5 (W/PLAIN SHAFT), T6, T7
*	696328**	ARMATURE FAN T2, T2 (W/3/4" BORE) T3, T4, T5 (W/KNURLED SHAFT)
*	694679**	ARMATURE FAN (CF), T2 (W/5/8" BORE)
*	680913	ARMATURE FAN, T1
*	42596	WRENCH, (1 1/8")
*	42914	EARLY CHUCK WRENCH, (1")
214	839279	KNOB
215	872998	DEPTH ADJUSTING RING I.D. (3 5/8")
	800942	DEPTH ADJUSTING RING I.D. (4")
216	800869	DEPTH ADJUSTING RING SPRING
217	847143	LOCK RING, T1
218	823374	CLAMP WASHER
219	42186	SUB-BASE, INCL.: REF. 220

BASE PARTS (6911)

Ref.	Part No.	Description
220	688860	SCREW, SUB-BASE W/COUNTERSUNK HOLES
	874117	SCREW, SUB-BASE W/COUNTER-BORED HOLES
222	801821	WASHER
225	694931	BASE SWITCH, T THRU T7
	801851	BASE SWITCH, T1
226	802787	BASE CORD
227	879348	BASE, INCL.: REF. 215, 216
228	874606**	HANDLE SET, T THRU T7
229	874582	WING NUT
230	842580	CLAMP SCREW
231	694125	OUTLET, T THRU T7
	803109	OUTLET, T1 (CF)
232	803157	OUTLET SCREW, T1
233	882703	SWITCH MOUNT/CORD CLAMP SCREW T2, T3, T4, T5, T6, T7
	849229	SWITCH MOUNTING SCREW, T1 (CF)
234	848754	GROUND WIRE SCREW
235	859384	HANDLE COVER SCREW, T THRU T7
	878813	HANDLE COVER SCREW, T1
236	803004	HANDLE UPPER SCREW
237	694115	HANDLE LOWER SCREW, T THRU T7
	847205	HANDLE LOWER SCREW, T1 (CF)
239	803112	OUTLET NUT, T1
240	694681	COVER PLATE, T THRU T7
241	882183	COVER SCREW, T THRU T7
242	861434	CORD CLAMP
244	39120	EDGE GUIDE ASSY., 6911 T3, T4, T5, T6, T7 INCL.: REF. 245, 246, 247
	42160	EDGE GUIDE ASSY., 6911 T1, T2, INCL.: REF. 245, 246, 247
245	803160	EDGE GUIDE SCREW
246	882810	EDGE GUIDE KNOB
247	824588	EDGE GUIDE ROD

ACCESSORIES: (Optional)

*	42975**	3/8" COLLET ASSY., OPTIONAL INCL.: REF. 81, 83A, 98
*	876670	3/8" COLLET, OPTIONAL
*		NOT SHOWN
**		SEE SERVICE NOTES

SERVICE NOTES

6911
6912
694917

ARMATURES/FANS REF. 1

Type 3 versions have plastic armature fans. Early versions have metal fans. The Type 3 armatures are interchangeable with type 2 armatures. Only the type 3 versions (plastic fan) will be supplied for service of Type 2 and Type 3 versions.

Early Type 5 armature fans fit onto a knurled area of the armature shaft. Late type 5 fans fit a smooth shaft without knurls. The two fans are **NOT** interchangeable.

6911 TYPE 3 REF. 227

Early 6911 Type 3 bases have a hole punched in the specification plate where the "3" in "Type 3" should be.

CORD/CLAMP/STRAIN RELIEVER (6912) REF. 242

Model 6912 (T1, T2, T3, and T4) and Model 694917 (T1, T2, and T3) have cords with "molded on" strain relievers.

Model 6912 T5 and Model 694917 T4 have cords with a "separate" strain reliever. This change requires the use of a new cord clamp #874137. This new clamp can be used with either style (molded-on or separate) strain reliever.

The new clamp, cord, and strain reliever may be used as a set to service older types.

The new cord and strain reliever **MUST NOT** be used with the older clamp (858588).

COLLETS 83A

Early models had drop-in collets with a separate retaining nut. Current models have collet and nut assemblies held together with a snap-ring. The new assemblies can be used in the older models. The new collets cannot be used with an early collet nut.

HANDLE SET TYPE1 REF 228

The type 1 handle set part number 825445 is no longer available, however the complete 6911 Base may be substituted.