



SERVICE PARTS LIST

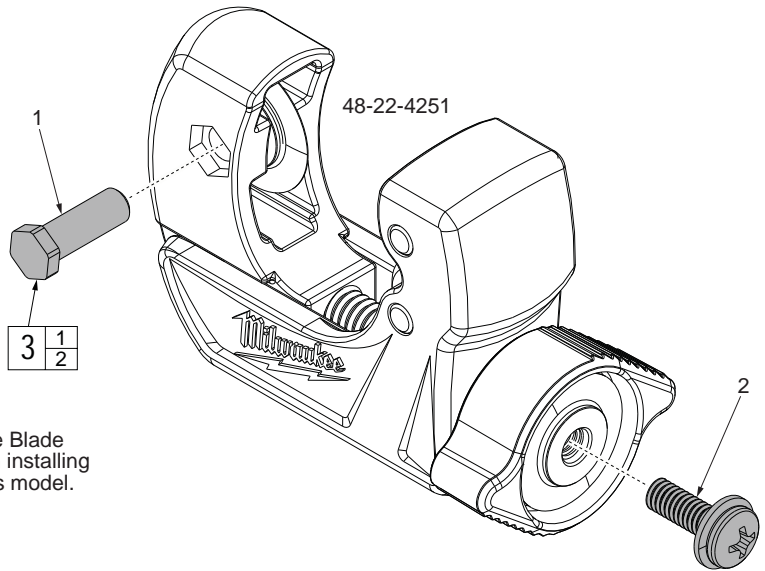
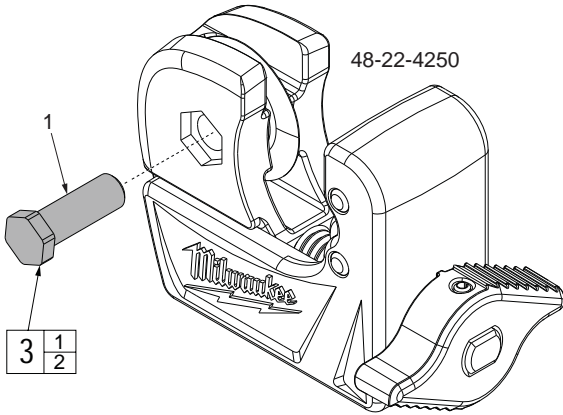
BULLETIN NO.
54-49-3160

SPECIFY CATALOG NO. AND SERIAL NO. WHEN ORDERING PARTS		REVISED BULLETIN	DATE
TUBING and SWING CUTTERS			Jan. 2016
CATALOG NO.	48-22-4250	1/2" Mini Cutter	
	48-22-4251	1" Mini Cutter	
	48-22-4252	1-1/2" Constant Swing	

EXAMPLE:

00	0
----	---

 Component Parts (Small #) Are Included
 When Ordering The Assembly (Large #).



48-22-4250 does not utilize a Spare Blade Screw (2). Discard that screw when installing the 14-46-4253 Service Kit onto this model.

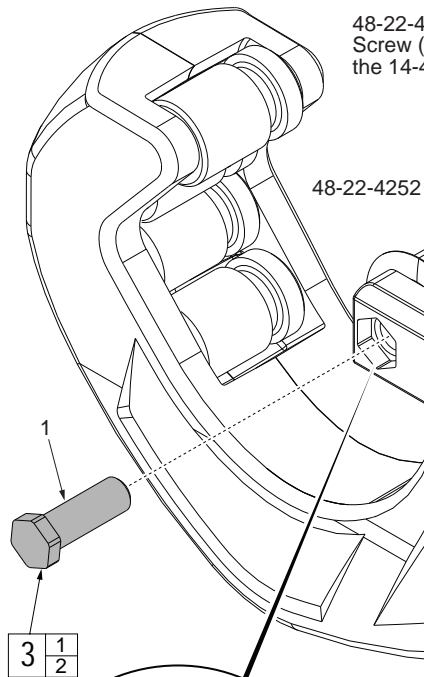
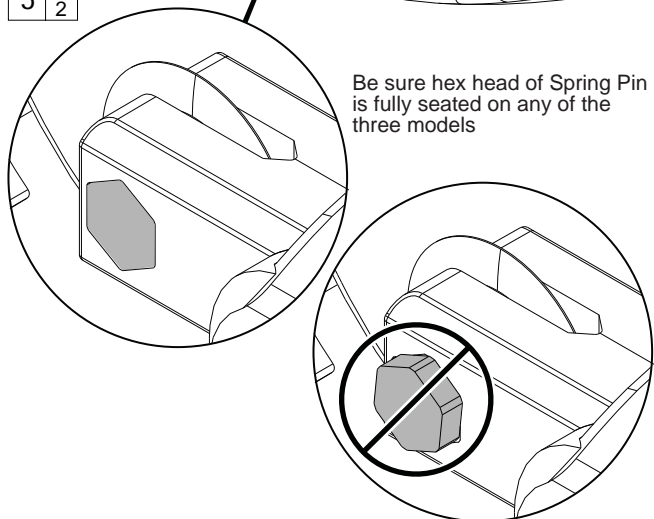


FIG.	PART NO.	DESCRIPTION OF PART	NO. REQ.
1	-----	Spring Pin	(1)
2	-----	Spare Blade Screw	(1)
3	14-46-4253	Spring Pin / Spare Blade Screw Service Kit	(1)



Be sure hex head of Spring Pin is fully seated on any of the three models