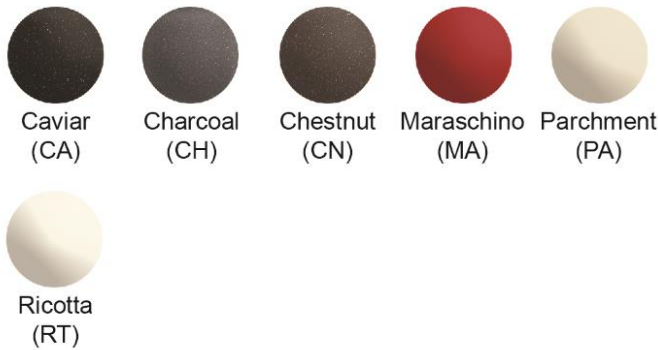


### PRODUCT SPECIFICATIONS

Elkay Quartz Luxe® 32-1/2" x 20" x 10", 60/40 Double Bowl Undermount Sink. Proprietary manufacturing process that combines natural quartz with high performance UV-stable acrylic resins, along with a patented webbing and embedded organic fibers that results in an impact resistant, non-porous and heat, scratch, stain and fade resistant surface. Naturally sound deadening and Rear Center drain placement.

<b>Installation Type:</b>	Undermount
<b>Material:</b>	Quartz
<b>Finish:</b>	Caviar (CA), Charcoal (CH), Chestnut (CN), Maraschino (MA), Parchment (PA), Ricotta (RT)
<b>Number of Bowls:</b>	2
<b>Sink Dimensions:</b>	32-1/2" x 20" x 10"
<b>Bowl 1 Dimensions:</b>	17-9/16" x 17-3/4" x 10"
<b>Bowl 2 Dimensions:</b>	11-1/2" x 16-13/16" x 10"
<b>Drain Size:</b>	3-1/2" (89mm)
<b>Drain Location:</b>	Rear Center
<b>Minimum Cabinet Size:</b>	36"
<b>Mounting Hardware:</b>	Part # 54300408 included
<b>Template Included:</b>	Yes
<b>Cutout Template #:</b>	<a href="#">1000003464</a>

Template is available for download at [elkay.com](#)



**AMERICAN PRIDE. A LIFETIME TRADITION.**  
Like your family, the Elkay family has values and traditions that endure. For almost a century, Elkay has been a family-owned and operated company, providing thousands of jobs that support our families and communities.

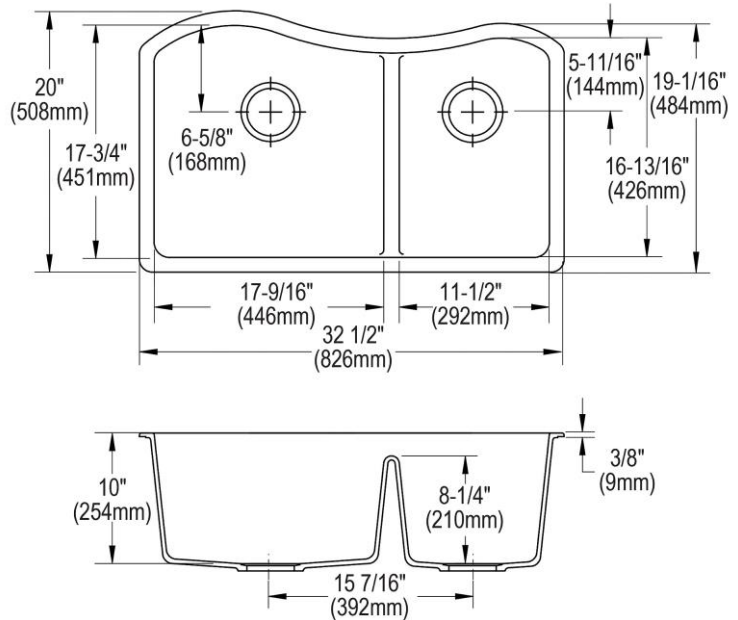
**Product Compliance:** CSA B45.5/IAPMO Z124

Sinks are listed by IAPMO® as meeting the applicable requirements of the Uniform Plumbing Code®, International Plumbing Code®, and National Plumbing Code of Canada.

[Clean and Care Manual \(PDF\)](#)

[Installation Instructions \(PDF\)](#)

[Warranty \(PDF\)](#)



PART: \_\_\_\_\_ QTY: \_\_\_\_\_

PROJECT: \_\_\_\_\_

CONTACT: \_\_\_\_\_

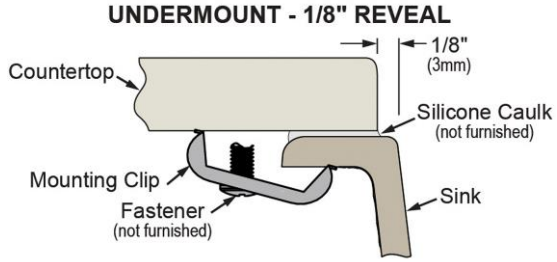
DATE: \_\_\_\_\_

NOTES: \_\_\_\_\_

APPROVAL: \_\_\_\_\_

In keeping with our policy of continuing product improvement, Elkay reserves the right to change product specifications without notice. Please visit [elkay.com](#) for the most current version of Elkay product specification sheets. This specification describes an Elkay product with design, quality, and functional benefits to the user. When making a comparison of other producers' offerings, be certain these features are not overlooked.

**Installation Profile:**



Designed to affix to the underside of any solid surface countertop.

**OPTIONAL ACCESSORIES**

<b>Bottom Grid:</b>	LKOBG1617SS (left bowl), LKOBG1016SS (right bowl)
<b>Drain:</b>	LKQS35, LKQD35, LK99
<b>Faucet:</b>	LKGT3031, LK6000CR, LKEC2031
<b>Soap Dispenser:</b>	LKGT1054

*In keeping with our policy of continuing product improvement, Elkay reserves the right to change product specifications without notice. Please visit [elkay.com](http://elkay.com) for the most current version of Elkay product specification sheets. This specification describes an Elkay product with design, quality, and functional benefits to the user. When making a comparison of other producers' offerings, be certain these features are not overlooked.*