



Buy it for looks. Buy it for life.®

FAUCET DESCRIPTION

- Metal construction with chrome finish
- Includes showerhead, arm, flange and diverter spout

OPERATION

- Lever style handle with temperature red/blue indicator on the escutcheon
- 3 function showerhead: full, wide and massage
- Handle operates counterclockwise through a 270° arc with off at 6 o'clock and maximum hot at the 9 o'clock position. Shut off in clockwise direction
- Adjustable temperature limit stop to control maximum hot water temperature
- Pressure balancing mechanism maintains selected discharge temperature to ± 3.6° F (±2° C)
- 3 function showerhead: full, wide, and massage

FLOW

- EP suffix models are limited to 2.0 gpm (6.6 L/min) at 80 psi

CARTRIDGE

- 1222 cartridge design
- Nonmetallic/nonferrous and stainless steel materials
- Accommodates back to back installations

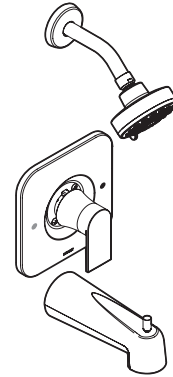
STANDARDS

- Third party certified to meet ASME A112.18.1/CSA B125.1 and all applicable requirements referenced therein
- EP suffix models are IAPMO Green listed and third party certified to WaterSense®
- **ADA** ♿ for lever handle

WARRANTY

- Lifetime limited warranty against leaks, drips and finish defects to the original homeowner
 - 10 year limited warranty when used in a multifamily installation
 - 5 year limited warranty when used in a commercial installation
- Visit www.moen.com/support for complete details and limitations

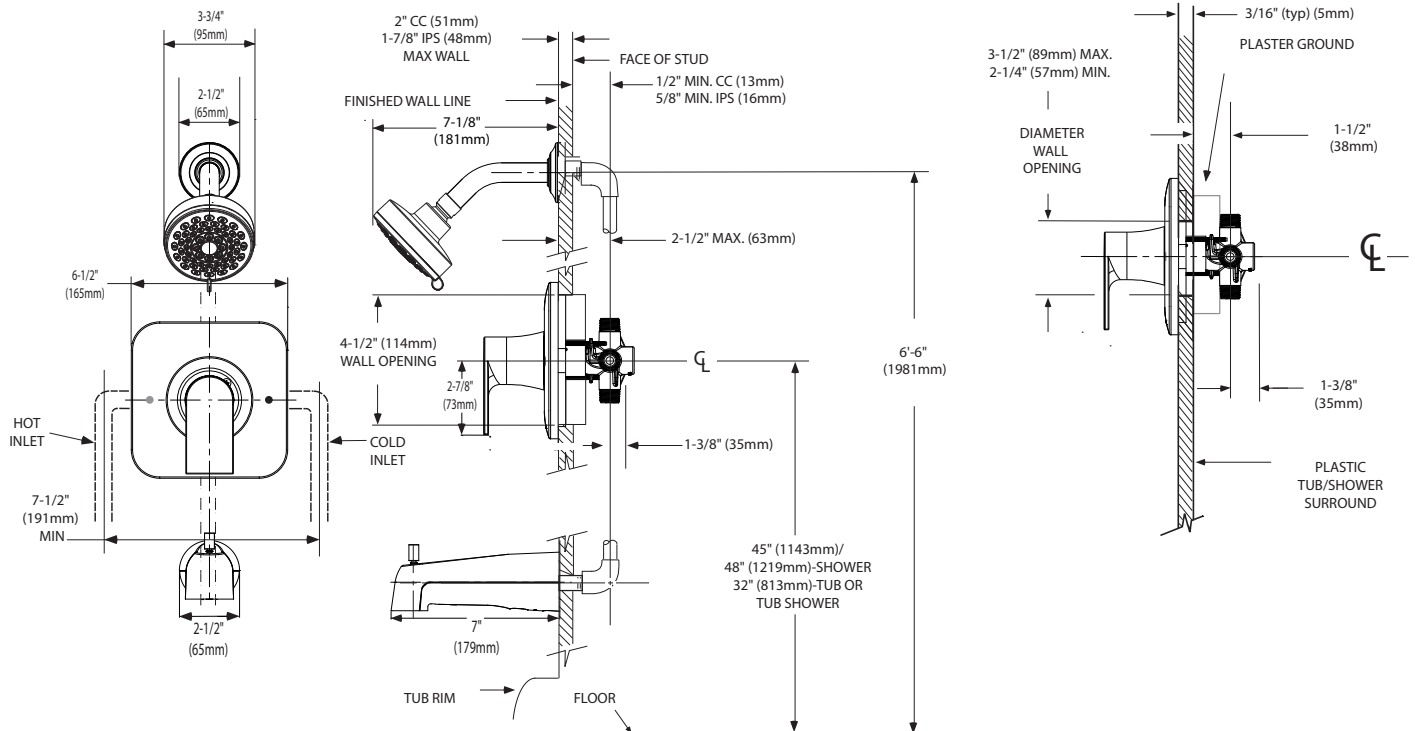
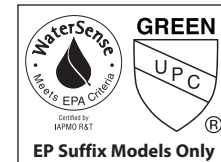
Specifications



**Genta™ POSI-TEMP®
Single-Handle Tub/Shower Trim Kit**

- Model:** T2471 series - valve trim only
 T2472 series - shower trim only
 T2473 series - tub/shower trim only

Valves: 62300, 2500 series



THICK WALL APPLICATION

CRITICAL DIMENSIONS
(DO NOT SCALE)

THIN WALL APPLICATION