

PRODUCT INFORMATION PACKET

Model No: 048S17D11041

Catalog No: GF2024

Fan and Blower Motor, 0.25 HP, 1 Ph, 60 Hz, 115/230 V, 1800 RPM, 48Y Frame, DP



Regal and Marathon are trademarks of Regal Rexnord Corporation or one of its affiliated companies.

©2023 Regal Rexnord Corporation, All Rights Reserved. MC017097E

Nameplate Specifications

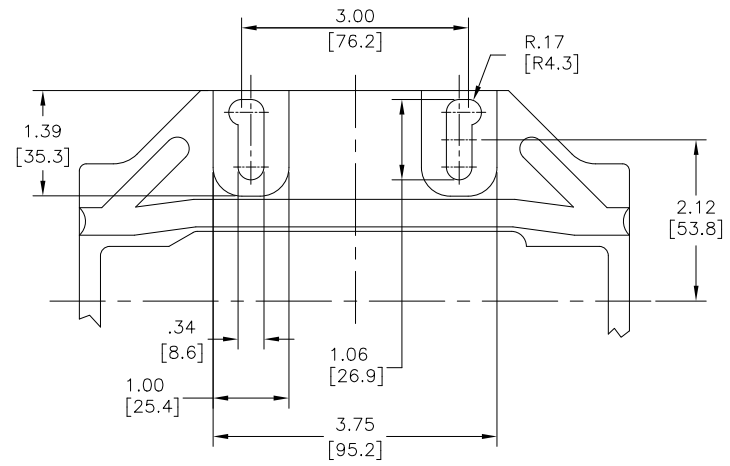
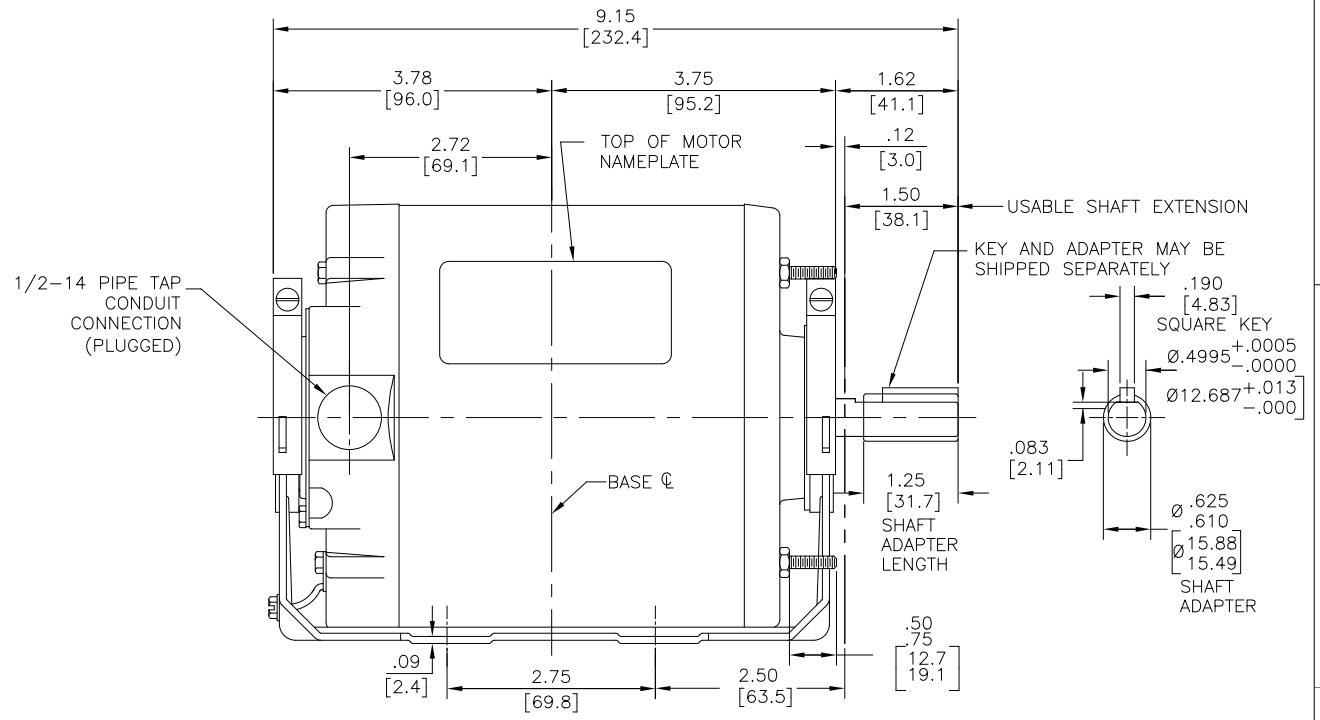
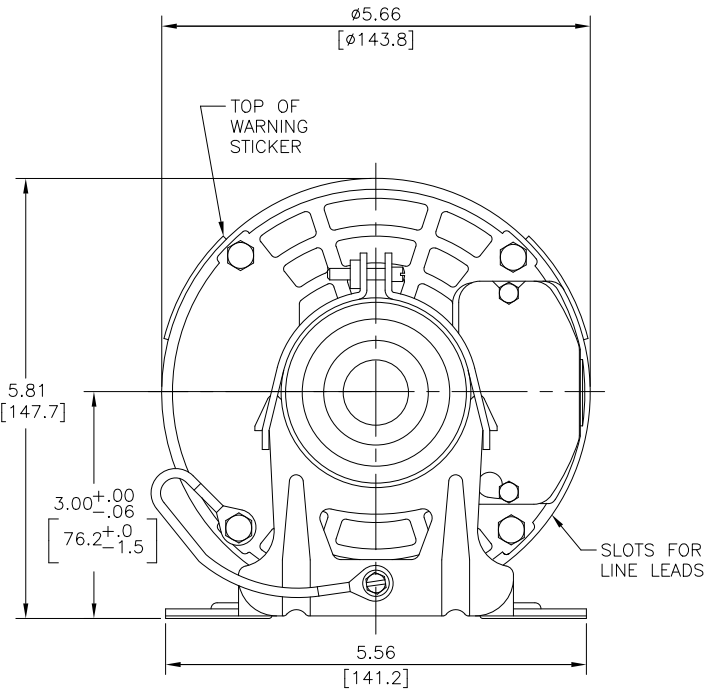
Output HP	0.25 Hp	Output KW	0.19 kW
Frequency	60 Hz	Voltage	115/230 V
Current	4.6/2.3 A	Speed	1725 rpm
Service Factor	1.35	Phase	1
Efficiency	53 %	Power Factor	61
Duty	Continuous	Insulation Class	B
Design Code	NO DESIGN CODE	KVA Code	M
Frame	48Y	Enclosure	Drip Proof
Thermal Protection	Automatic	Ambient Temperature	40 °C
Drive End Bearing Size	6202	Opp Drive End Bearing Size	6202
UL	Recognized	CSA	N
CE	N	IP Code	12
Number of Speeds	1		

Technical Specifications

Electrical Type	Split Phase	Starting Method	Across The Line
Poles	4	Rotation	Selective Clockwise
Resistance Main	0 Ohms	Mounting	Resilient Base
Motor Orientation	Horizontal Or Up Or Down	Drive End Bearing	Ball
Opp Drive End Bearing	Ball	Frame Material	Rolled Steel
Shaft Type	Single Special Extension	Shaft Diameter	0.500 in
Assembly/Box Mounting	F1 ONLY		
Connection Drawing	626883-001-S01	Outline Drawing	048S17D11041

This is an uncontrolled document once printed or downloaded and is subject to change without notice. Date Created:03/15/2023

REV	ECO	REV BY	DATE	APPD	DATE
B	ECR-0222585	SRIKANTH	12/6/2022	GD	12/6/2022



BOTTOM VIEW OF BASE

GEOMETRIC CHARACTERISTICS & SYMBOLS

- \square FLATNESS
- STRAIGHTNESS
- \sphericalangle ANGULARITY
- \perp PERPENDICULARITY (SQUARENESS)
- // PARALLELISM
- \bigcirc ROUNDNESS (CIRCULARITY)
- \bigcirc CYLINDRICITY
- \triangle PROFILE OF ANY SURFACE
- \triangle PROFILE OF ANY LINE
- \curvearrowright RUNOUT
- \oplus TRUE POSITION
- \odot CONCENTRICITY
- \equiv SYMMETRY

ASME Y14.5M 1994

UNLESS OTHERWISE SPECIFIED
DIM. TOLERANCES ARE AS FOLLOWS:

INCH	± 1	± 02	± 005	± 0005
mm	± 0.5	± 0.13	± 0.013	

ANG. $\pm .50$ DEG
REMOVE BURRS & BREAK SHARP EDGES:
INCH .003-.015 mm 0.1-0.4
CORNER FILLETS TO:
INCH .020 mm 0.5
MACHINE SURFACES:
INCH $\sqrt{125}$ mm $\sqrt{3.2}$

METRIC DIMS. SHOWN IN [BRACKETS]

DR BY: D.SURYAWANSHI 02/08/2022

APPD:

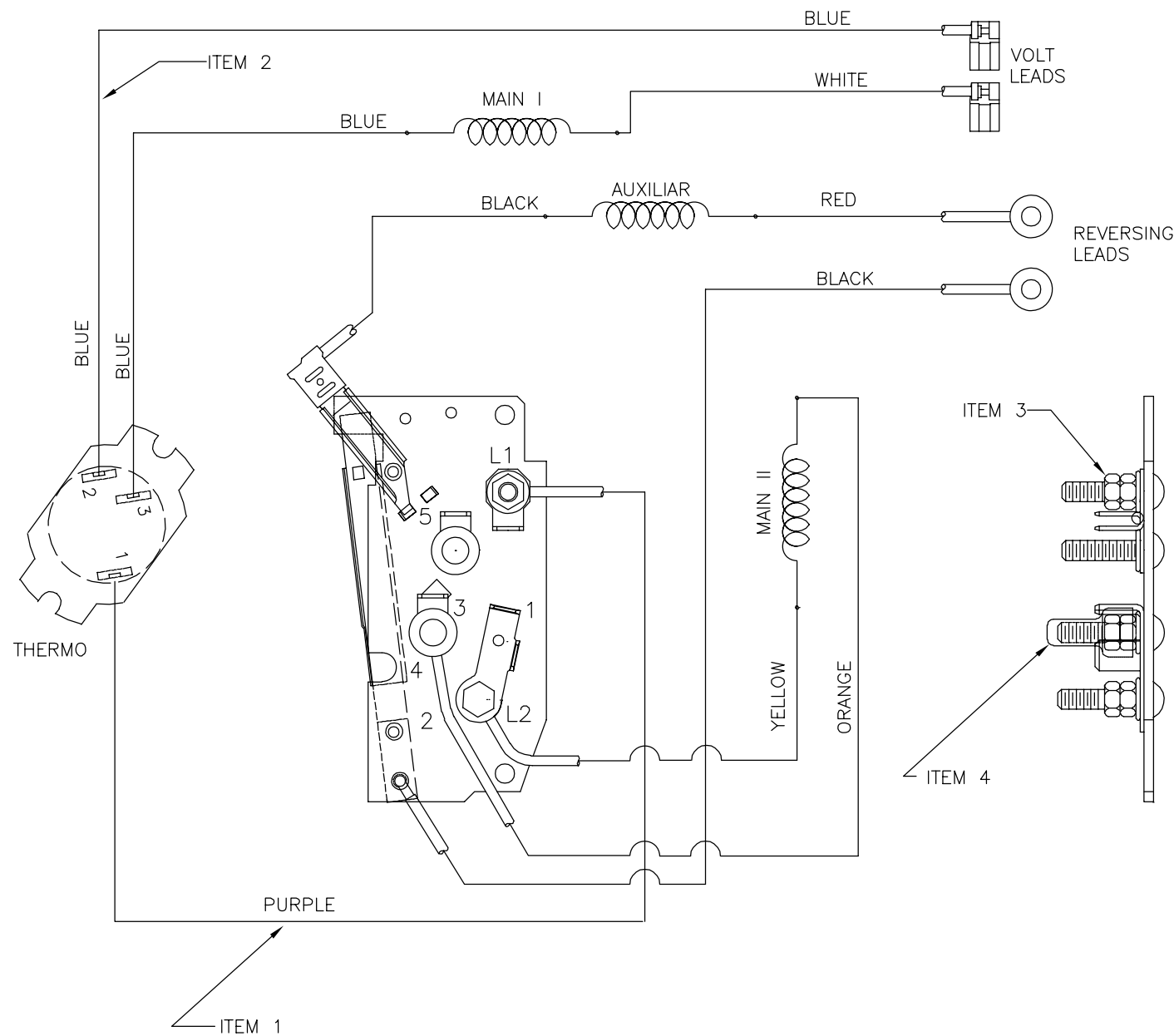
THIRD ANGLE PROJECTION

EDS DATE: G

CONFIDENTIAL: THIS DRAWING AND ITS INFORMATION ARE THE EXCLUSIVE AND CONFIDENTIAL PROPERTY OF REGAL-BELOIT CORPORATION AND ARE NOT TO BE DISCLOSED, DUPLICATED, DISTRIBUTED OR OTHERWISE USED WITHOUT THE WRITTEN CONSENT OF REGAL-BELOIT CORPORATION. -ALL RIGHTS RESERVED.

Regal Beloit America, Inc.	
DESCRIPTION: OUTLINE	
SIZE: C	DWG NO: 048S17D11041
SCALE: NONE	SHEET 1

REV	ECO	REV BY	DATE	APPD	DATE
F	0018594	E. LOPEZ	02-15-2011	T. REYES	02-15-2011
PART NUMBER	ROT.	CONNECTION	VOLT	CONNECTION	
626883-001A	CCW	BLACK → 2 RED → 4	115	WHITE → 1 BLUE → 3	
626883-001B	CW	RED → 2 BLACK → 4	115	WHITE → 1 BLUE → 3	
626883-001C	CCW	BLACK → 2 RED → 4	230	BLUE → 5 WHITE → 3	
626883-001D	CW	RED → 2 BLACK → 4	230	BLUE → 5 WHITE → 3	



CONNECT REVERSING & VOLTAGE LEADS PER DASH CONDITION SPECIFIED ON BOM FOR MODEL.
LEAD & TERMINAL ASSEMBLY PER PS-595
LEAD LOCATION SHOULD BE ESSENTIALLY AS SHOWN

PARTS LIST

ITEM	REQ	DESCRIPTION	PART NUMBER
1	1	LEAD	091P16-U5-065-KD
2	1	LEAD	091BL16-U5-075-KM
3	4	NUT, HEX-#8	368C210H05
4	2	TERMINAL-INSULATOR	167A168H01

DRAFT REFERENCE:
625996-001 TERMINAL BOARD

GEOMETRIC CHARACTERISTICS & SYMBOLS

- FLATNESS
- STRAIGHTNESS
- ∠ ANGULARITY
- ⊥ PERPENDICULARITY (SQUARENESS)
- // PARALLELISM
- ROUNDNESS (CIRCULARITY)
- ⊘ CYLINDRICITY
- △ PROFILE OF ANY SURFACE
- ∩ PROFILE OF ANY LINE
- ↑ RUNOUT
- ⊕ TRUE POSITION
- ◎ CONCENTRICITY
- ≡ SYMMETRY

UNLESS OTHERWISE SPECIFIED DIM. TOLERANCES ARE AS FOLLOWS:

INCH X XX XXX XXXX
mm ±0.5 ±0.13 ±0.013

ANG. ±.50 DEG
REMOVE BURRS & BREAK SHARP EDGES:
INCH .003-.015 mm 0.1-0.4

CORNER FILLETS TO:
INCH .020 mm 0.5

MACHINE SURFACES:
INCH 125 mm 3.2

METRIC DIMS. SHOWN IN [BRACKETS]

DR BY: GORDON 04-26-2000
APPD: MS 12-12-2000
EDS DATE 02-22-2008
FORMAT REV F

THIRD ANGLE PROJECTION

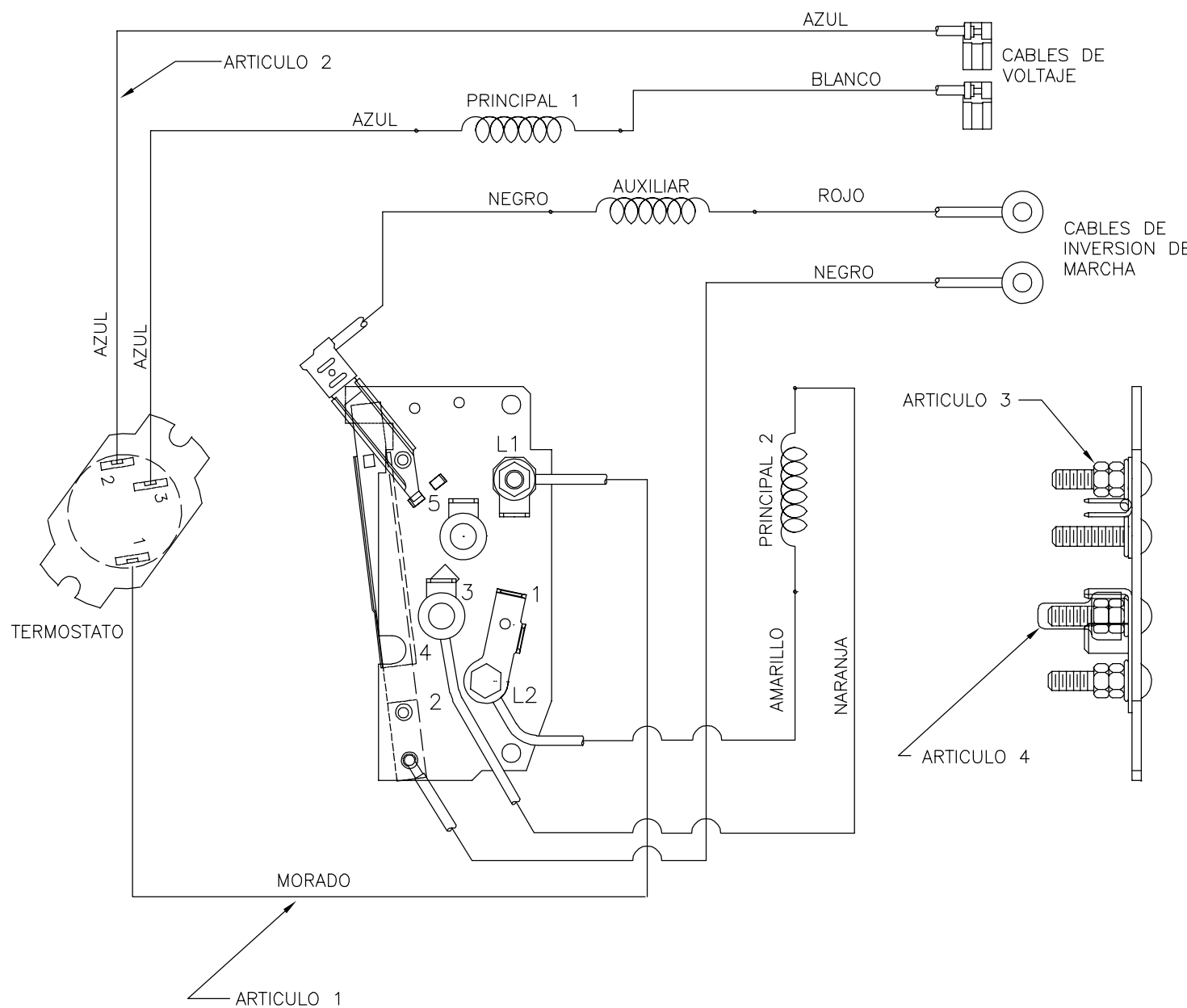
CONFIDENTIAL: THIS DRAWING AND ITS INFORMATION ARE THE EXCLUSIVE AND CONFIDENTIAL PROPERTY OF A.O. SMITH CORP. AND ARE NOT TO BE DISCLOSED, DUPLICATED, DISTRIBUTED OR OTHERWISE USED WITHOUT THE WRITTEN CONSENT OF A.O. SMITH CORP.
-ALL RIGHTS RESERVED. ASME Y14.5M 1994

AC Smith **ELECTRICAL PRODUCTS COMPANY**
Innovation has a name. A DIVISION OF A. O. SMITH CORPORATION

DESCRIPTION
EXTERNAL PARTS GROUP
TYPE "S"

SIZE C DWG NO 626883-001
SCALE NONE SHEET 1

REVISION:	ECO	REVISADO POR:	FECHA:	APROBADO POR:	FECHA:
F	0018594	E. LOPEZ	02-15-2011	T. REYES	02-15-2011
NO. DE PARTE	ROT.	CONEXION	VOLT	CONEXION	
626883-001A	CCW	NEGRO → 2 ROJO → 4	115	BCO. → 1 AZUL → 3	
626883-001B	CW	ROJO → 2 NEGRO → 4	115	BCO. → 1 AZUL → 3	
626883-001C	CCW	NEGRO → 2 ROJO → 4	230	AZUL → 5 BCO. → 3	
626883-001D	CW	ROJO → 2 NEGRO → 4	230	AZUL → 5 BCO. → 3	



CONEXION DE INVERSION DE MARCHA Y CABLES DE VOLTAJE POR CONDICION DEL GUION ESPECIFICADA EN LA LISTA DE MATERIALES PARA EL MODELO.
ENSAMBLE DE CABLE Y TERMINAL POR PS-595 LOCALIZACION DEL CABLE DEBE SER ESENCIALMENTE COMO SE MUESTRA

LISTA DE PARTES

ART.	REQ	DESCRIPCION	NO. DE PARTE
1	1	CABLE	091P16-U5-065-KD
2	1	CABLE	091BL16-U5-075-KM
3	4	TUERCA HEX-#8	368C210H05
4	2	AISLAMIENTO-TERMINAL	167A168H01

REFERENCIA DE DIBUJO:
625996-001 TABLILLA DE TERMINALES

CARACTERISTICAS DE GEOMETRIA Y SIMBOLOS

- PLANICIDAD
- RECTITUD
- ∠ ANGULARIDAD
- ⊥ PERPENDICULARIDAD (A ESCUADRA)
- // PARALELISMO
- REDONDEZ (CIRCULARIDAD)
- ∅ CILINDRICIDAD
- △ PERFIL DE CUALQUIER SUPERFICIE
- ∧ PERFIL DE CUALQUIER LINEA
- ↑ VARIACION
- ⊕ POSICION REAL
- ◎ CONCENTRICIDAD
- = SIMETRIA

A MENOS QUE SE ESPECIFIQUE DE OTRA MANERA, LAS TOLERANCIAS DE LAS DIMS; SON LAS SIGUIENTES:

PULG ±.1 ±.02 ±.005 ±.0005
mm ±0.5 ±0.13 ±0.013

ANG. ± 50 GRADOS

ELIMINAR REBABAS Y ORILLAS FILOSAS DEL BORDE.

PULG .003-.015 mm 0.1-0.4
FILETEAR ESQUINA: PULG .020 mm 0.5
MAQUINAR SUPERFICIES
PULG 125 mm 3.2

DIMS METRICAS MOSTRADAS [PARENTESIS]

DIBUJADO POR:	GORDÓN	04-26-2000
APROBADO POR:	MS	12-12-2000
TERCER ANGULO DE PROYECCION	⊕	FECHA EDS: 02-22-2008 REV. FORMATO: F
CONFIDENCIAL: ESTE DIBUJO Y SU INFORMACION SON PROPIEDAD DE USO EXCLUSIVO Y CONFIDENCIAL DE A.O.SMITH CORP. Y NO DEBERAN SER REVELADOS, DUPLICADOS, DISTRIBUIDOS O USARSE DE OTRA MANERA SIN EL CONSENTIMIENTO ESCRITO DE A.O. SMITH CORP. -TODOS LOS DERECHOS RESERVADOS.ASME Y14.5M 1994		

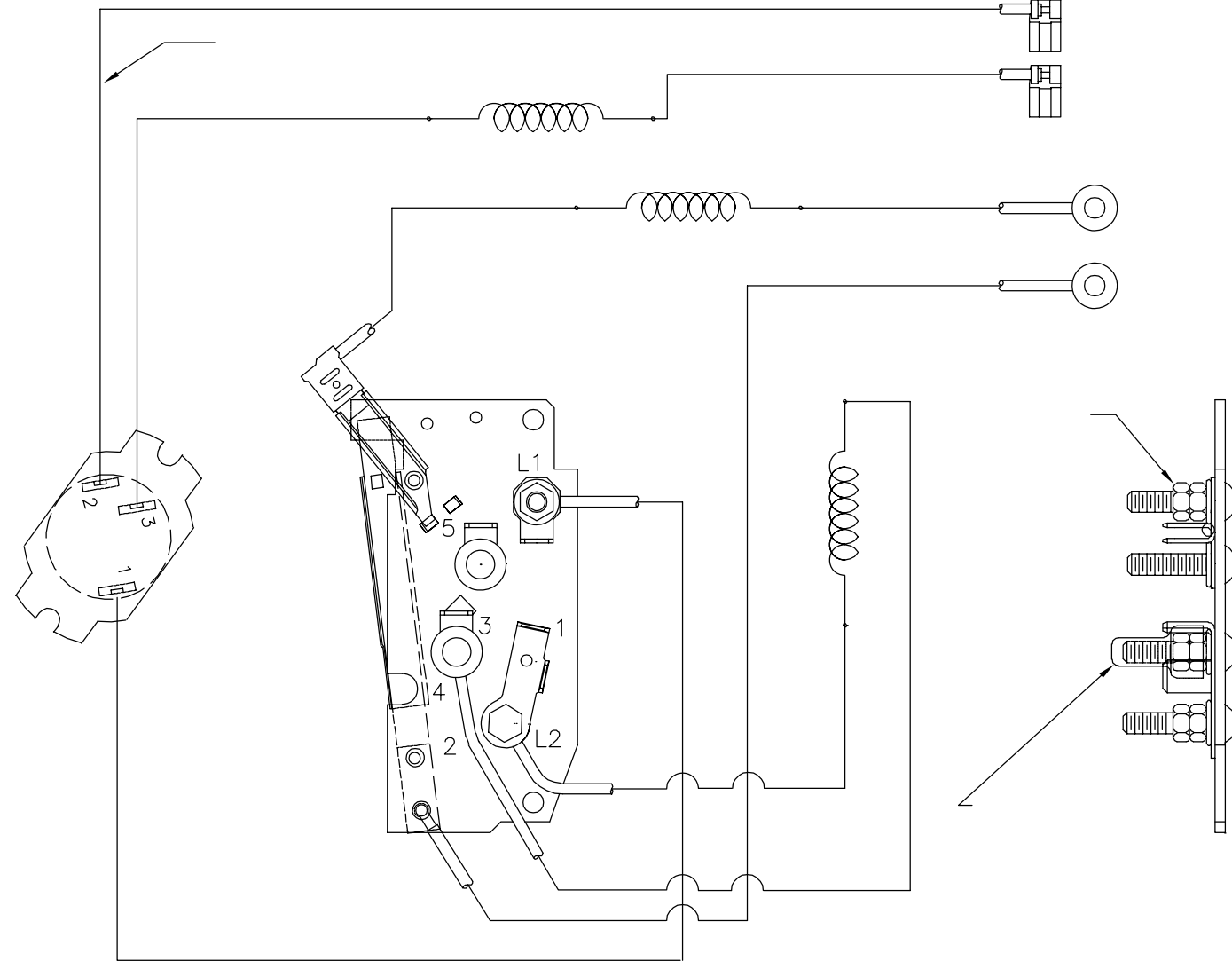
AO Smith **ELECTRICAL PRODUCTS COMPANY**
Innovation has a name. A DIVISION OF A. O. SMITH CORPORATION

DESCRIPCION:
EXTERNAL PARTS GROUP TYPE "S"

TAMAÑO: C NUMERO DE DIBUJO: 626883-001

ESCALA: NONE HOJA: 1

版本	ECO	编制	日期	批准	日期
F	0018594	E. LOPEZ	02-15-2011	T. REYES	02-15-2011
			ROT.	VOLT	
626883-001A	CCW	→ 2 → 4	115	→ 1 → 3	
626883-001B	CW	→ 2 → 4	115	→ 1 → 3	
626883-001C	CCW	→ 2 → 4	230	→ 5 → 3	
626883-001D	CW	→ 2 → 4	230	→ 5 → 3	



REQ	数量	物料号
1	1	091P16-U5-065-KD
2	1	091BL16-U5-075-KM
3	4	368C210H05
4	2	167A168H01

形位公差

- 平面度
- 直线度
- ∠ 倾斜度
- ⊥ 垂直度
- ∥ 平行度
- 圆度
- ⊘ 圆柱度
- △ 面轮廓度
- ⌒ 线轮廓度
- ↗ 圆跳动
- ⊕ 位置度
- ⊙ 同轴度
- ≡ 对称度

除另有注明
尺寸公差如下:

英寸	±.1	±.02	±.005	±.0005
毫米	±0.5	±0.13	±0.013	

角度 ±.50 度
清理毛刺和尖棱
英寸 .003-.015 毫米 0.1-0.4
内圆角
英寸 .020 毫米 0.5
表面粗糙度
英制 125 米制 3.2
米制尺寸显示在 []

绘图: GORDON 04-26-2000
批准: MS 12-12-2000
第三角投影

图纸格式发布日期 02-22-2008
图纸格式版本 F

机密: 本图纸及相关信息所有权归A. O. SMITH公司所有。
未经A. O. SMITH公司书面授权, 不得泄露、复制、传播或作
其他用途。— 版权所有

ASME Y14.5M 1994

ACSmith **ELECTRICAL PRODUCTS COMPANY**
Innovation has a name. A DIVISION OF A. O. SMITH CORPORATION

名称: EXTERNAL PARTS GROUP TYPE "S"
图幅: C 图号: 626883-001
比例: NONE 页号: 1