

**H2OPTIMUM™ SIPHONIC ROUND FRONT TOILET**

- 288DA.114**
  - Vitreous china
  - Ultra high efficiency toilet (UHET) uses 4.2Lpf/1.1gpf
  - Round front siphon action bowl with direct-fed jet
  - 16-1/2" rim height for accessible applications
  - Meets EPA WaterSense® criteria
  - MaP PREMIUM listed
  - Includes EverClean® antimicrobial surface
  - PowerWash® rim scrubs bowl with each flush
  - 305mm (12") rough-in
  - Fully glazed 2" Trapway
  - Generous 9" x 8" water surface area
  - Chrome finish trip lever is supplied
  - Sanitary bar on bowl
  - 2 color matched bolt caps
  - Limited lifetime warranty on chinaware and limited five year warranty on all mechanical parts



**Separate Component Parts:**

- 3708.216** Bowl
- 4133A.114** Tank

**Nominal Dimensions:**

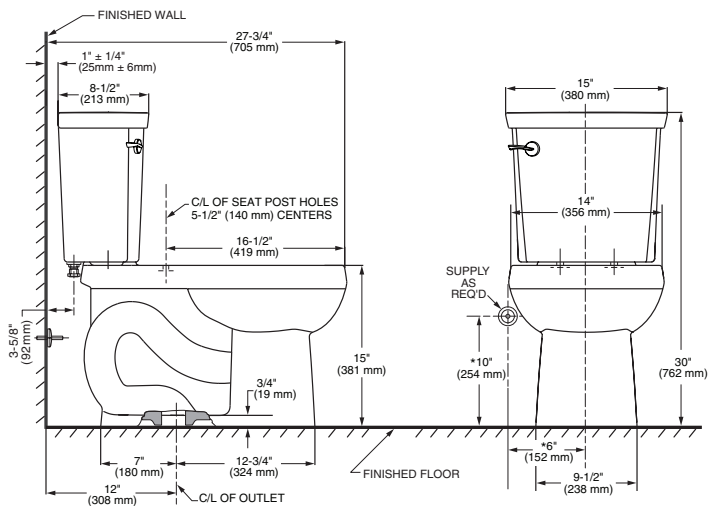
705 x 380 x 762mm  
(27-3/4" x 15" x 30")

Fixture only, seat and supply by others

**Compliance Certifications -**

**Meets or Exceeds the Following Specifications:**

- ASME A112.19.2-2008/CSA B45.1-08 for Vitreous China Fixtures
- CALGreen and California Energy Commission (CEC) Compliant
- US EPA WaterSense® criteria for UHETs



- To Be Specified:**
- Color:  White
  - Seat: American Standard #5259B.65C Easy Lift and Clean Elongated Seat with Cover and Slow Close hinges
  - Alternate Seat:
  - Supply with stop:

**NOTES:**

THIS COMBINATION IS DESIGNED TO ROUGH-IN AT A MINIMUM DIMENSION OF 305MM (12") FROM FINISHED WALL TO C/L OF OUTLET. \* DIMENSION SHOWN FOR LOCATION OF SUPPLY IS SUGGESTED. SUPPLY NOT INCLUDED WITH FIXTURE AND MUST BE ORDERED SEPARATELY.

**IMPORTANT:** Dimensions of fixtures are nominal and may vary within the range of tolerance established by ANSI Standard A112.19.2. These measurements are subject to change or cancellation. No responsibility is assumed for use of superseded or voided pages.

