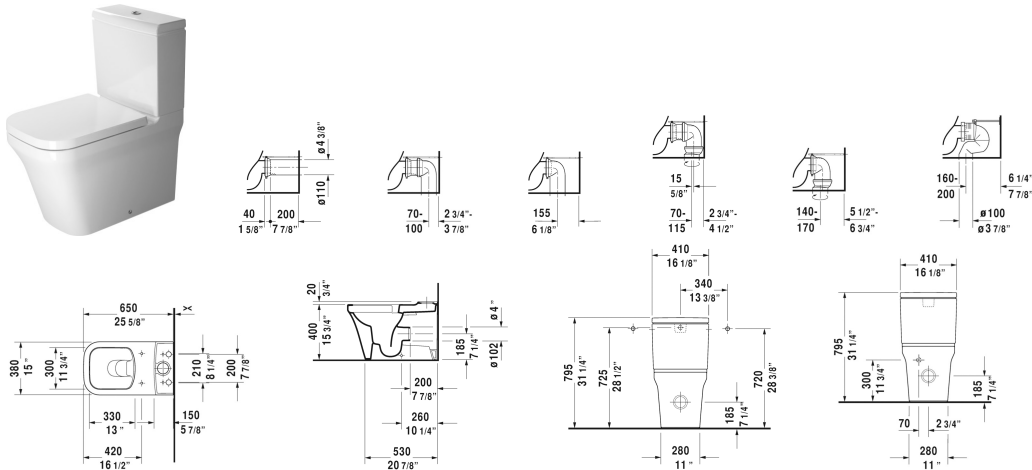


P3 Comforts Floor standing toilet Duravit Rimless® # 216709..92 / 216709..921

|< 15" Inch >|



Floor standing toilet Duravit Rimless®	Dimension	Weight	Order number
(without tank), rimless, washdown model, outlet for vario connector set, for horizontal and vertical outlet, length adjustable from 2 3/4" - 6 3/4", and vario connecting bend, vertical outlet from 6 1/4" - 7 7/8", hardware included			
Colors			
00 White 20 HygieneGlaze (an antibacterial ceramic glaze that provides almost indefinite effectiveness)			
Variant			
♣ 1.6/0.8 gpf	15" x 25 5/8" Inch	82.7 lb	216709..92
♣ 1.6/0.8 gpf	15" x 25 5/8" Inch	82.7 lb	216709..921
Vario connector set incl. excenter		3.3 lb	001422
Vario connecting bend for vertical outlet		1.5 lb	899025
Suitable products			
Tank with Dual Flush mechanism, Chrome, for bottom left supply, 16 1/8" x 6 3/4" Inch	16 1/8" x 6 3/4" Inch		093710
Toilet seat and cover hinges stainless steel, without slow close,			002041
Toilet seat and cover removable, hinges stainless steel, with slow close,			002049

All drawings contain the necessary measurements which are subject to standard tolerances. They are stated in inch & mm and are non-binding. Exact measurements, in particular for customized installation scenarios, can only be taken from the finished ceramic piece.