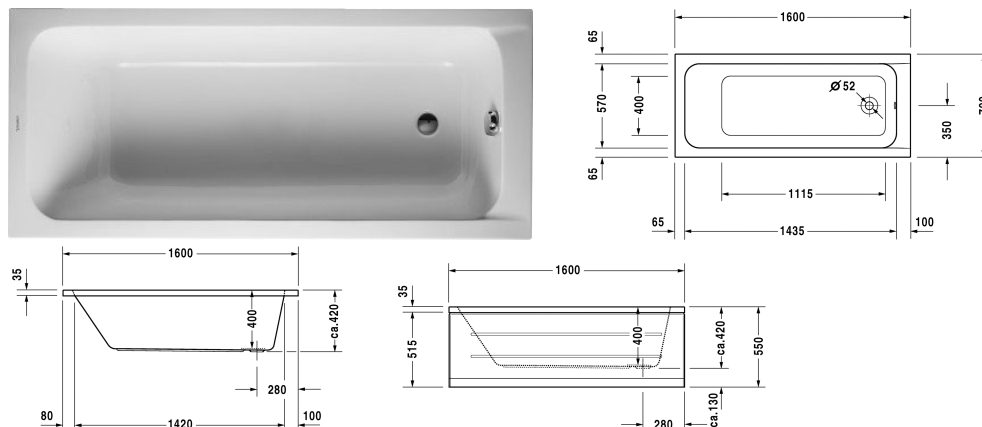


D-Code Bathtub # 700096000000000

< 1600 mm >



Bathtub	Dimension	Weight	Order number
rectangle, built-in, with one backrest slope, outlet in foot area, sanitary acrylic			
Colors			
00 White Alpin			
Variant			
Basic model	1600 x 700 mm	17.500 kilogram	700096000000000
Suitable products			
Support for # 700096,			790470
Panel front, for D-Code bathtubs, *, 1600 mm,			701026
Panel sideways right, for D-Code bathtubs, *, 700 mm,			701031
Panel sideways left, for D-Code bathtubs, *, 700 mm,			701035
Bathtub anchors for mounting and support of D-code bathtubs and shower trays, 3 pieces,			790125
Waste and overflow chrome, for D-Code bathtubs with outlet sidwise, outlet diameter 52 mm, length of bowden cable 530 mm,			790225
Rubber profile for D-Code, for noise reduction, length: 3300 mm,			790126
Support frame for D-Code bathtubs and shower trays, with length > 1000 mm, height-adjustable from 115 - 180 mm, height-adjustable from 135 - 165 mm if a noise reduction set for shower trays is used, 2 pieces,			790127
Tub cover, 2 pcs. 700 x 395 mm, for Darling New # 700238, 700239, D-Code # 700096, Happy D.2 # 700308, 700309, Starck # 700334,			791861

D-Code Bathtub # 700096000000000

|< 1600 mm >|

Tub cover with cut-out for hand shower hose, 2 pcs. 700 x 395 mm, for Darling New # 700238, 700239, D-Code # 700096, Happy D.2 # 700308, 700309, Starck # 700334,	791862
Noise reduction set for acrylic bathtubs ****, Contents: noise reduction bathtub anchors, bitumen pads, rubber profile # 790104,	791368

All drawings contain the necessary measurements which are subject to standard tolerances. They are stated in mm and are non-binding. Exact measurements, in particular for customised installation scenarios, can only be taken from the finished ceramic piece.