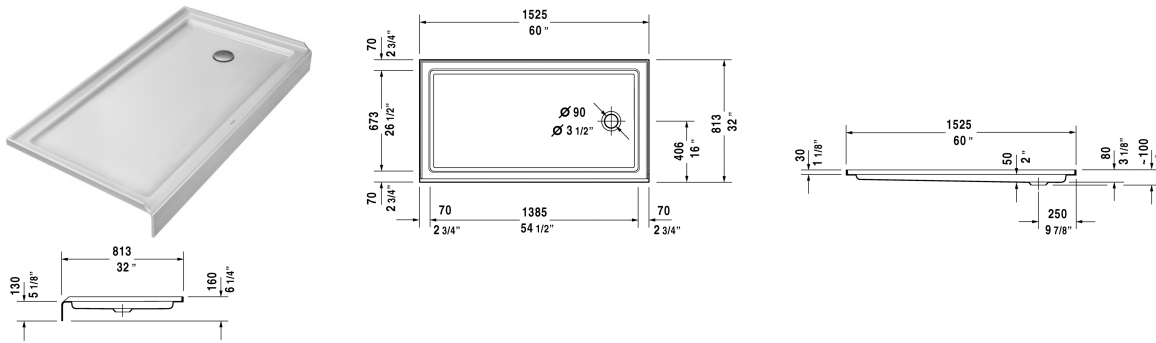


Architec Shower tray with panel # 72014400000090

| < 60" Inch > |



Shower tray with panel	Dimension	Weight	Order number
rectangle, with integrated panel and flange, drain right, cUPC listed, 1/4" sanitary acrylic, 6 1/4" Inch			
Colors			
00 White			
Variant			
	60" x 32" Inch	59.5 lb	72014400000090
Infobox			
A grid drain or similar should be used in conjunction with a p-trap under the floor. A 4" grid drain is necessary for shower trays with a 3 1/2" (90 mm) outlet.			

All drawings contain the necessary measurements which are subject to standard tolerances. They are stated in inch & mm and are non-binding. Exact measurements, in particular for customized installation scenarios, can only be taken from the finished ceramic piece.