

This unit offers anti-siphon protection and pressure relief valves.

The Freezeless Model 22 hot and cold faucet is designed and intended for year-round hot and cold irrigation and cleaning purposes regardless of outside temperature. Separate hot and cold inlet tubes allow for manually operated temperature control with cross contamination protection. This faucet contains patented pressure relief valves that prevents the faucet from bursting in freezing weather should a hose be accidentally left on. The Model 22 contains an integral backflow protection device and does not require and add-on vacuum breaker. This ASSE 1019 device is intended for irrigation use and outdoor watering and shall not be subjected to more than (12) hours of continuous water pressure.

Available in two models:

- Model 22 *Horizontal Mount* - Rough Brass
- Model V22 *Vertical Mount* - Rough Brass for end wall installation

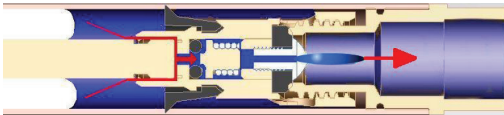
SPECIFICATIONS:

- Manufactured under one or more of the following patents: <https://www.woodfordmfg.com/patents>
- ASSE 1019 Listed
- CSA, UPC, cUPC Approved
- Not intended for continuous use



FEATURES:

- *Patented resetting pressure relief valve prevents the faucet tube from bursting in freezing conditions even if a hose is unintentionally left on.*



- *Built-In Vent Float style Vacuum Breaker*
- *Faucet drains automatically when hose is removed*
- EPDM packing to prevent leaking
- Oval, powder-coated, die cast aluminum handle
- Stainless steel seat - eliminates wire draw
- Standard "O" size seat washer
- Tee Key configuration - (extra charge)
- No-lead solder
- 3/4" male hose thread

MAX PRESSURE - 125 p.s.i.

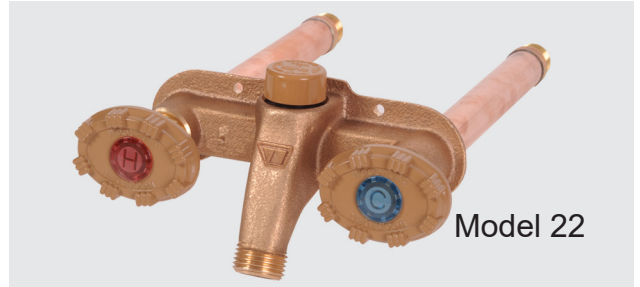
MAX TEMPERATURE - 120° F

INSTALLATION REQUIREMENTS:

- The faucet length used is to be comparable to what would be used with standard freezeless faucets.
- The inlet connection must be located in a heated area.
- The gap between the house and faucet must be sealed to prevent air leaks.
- The faucet must be installed with a slight downward pitch toward the nozzle.
- Adequate insulation is required around the faucet, wall board and sill plate.

For Installation / Troubleshooting Instructions go to www.woodfordmfg.com or call 1-800-621-6032

Freezeless Hot & Cold Wall Faucet Model 22 & V22

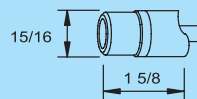


Model 22

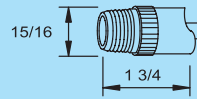


Model V22

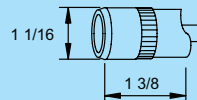
INLET OPTIONS



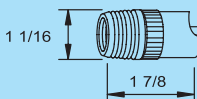
C INLET COMBINATION
Copper Sweat Fitting
1/2" K,L or M Inside
3/4" M Only Outside



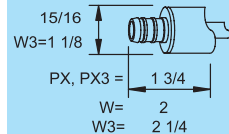
CP INLET COMBINATION
1/2" Male Pipe Thread
1/2" Female Sweat



C3 INLET
3/4" Female Sweat Fitting



P INLET COMBINATION
1/2" Female Pipe Thread
3/4" Male Pipe Thread



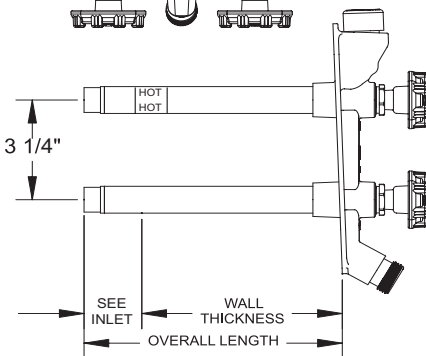
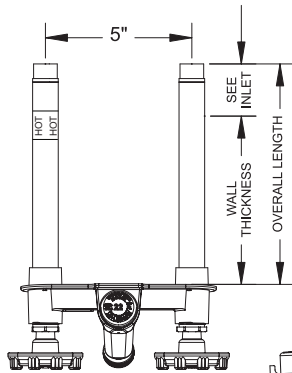
PX INLET
1/2" PEX Tube Fitting
PX3 INLET
3/4" PEX Tube Fitting
W INLET
1/2" Wirsbo PEX Tube Fitting
W3 INLET
3/4" Wirsbo PEX Tube Fitting

When ordering, specify model, inlet and wall thickness

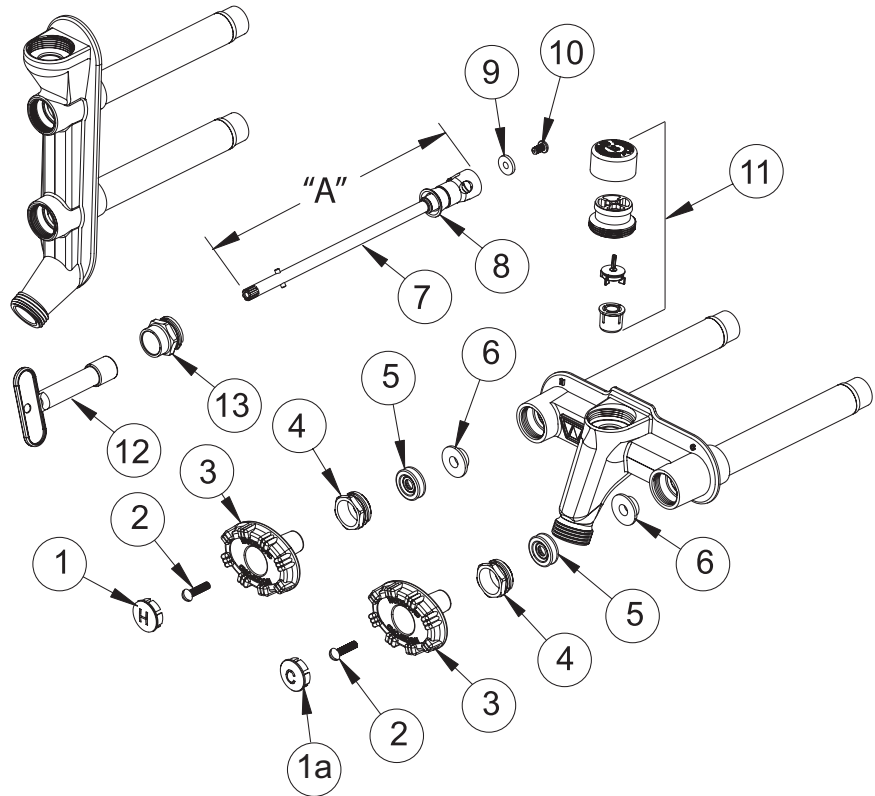
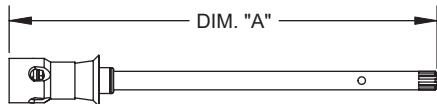
WOODFORD



**Model 22 & V22
Rough-In Dimensions**



Overall Length Dimension: Add wall thickness and inlet option length shown in chart on reverse side.



MODEL 22 & V22 PARTS LIST

ITEM	PART#	DESCRIPTION
1	30566	Plug Button-H-Red
1a	30565	Plug Button-C-Blue
2	30002	Handle Screw (2)
3	30559	Oval, Die Cast Alum. Handle (2)
4	30059	Packing Nut (2)
5	30560	EPDM Packing (2)
6	30421	Packing Support Washer (2)
7	RK-PRV-**	Valve Stem Assembly
<i>Note: Valve stems are interchangeable with Model 22 and V22 Head assemblies.</i>		
8	30459	Check Valve (2)
9	30008	Valve Seat Rubber (2)
10	30804	Retainer Screw (2)
11	RK-22VB	Vacuum Breaker Float Kit (Model 22)
12	50012	Tee Key
13	30512	Deep Packing Nut
	RK-22PRV	Repair Kit (<i>metal handles</i>) Includes 1 ea: Items 1, 1a, 11 2 ea: Items 2 - 6, 8 - 10

RK-PRV and Replacement Rod #

Wall Thickness	RK-PRV-*	Rod Only Part #**	Overall Length Dim "A"
4	RK-PRV-4	35092	5 7/8"
6	RK-PRV-6	35093	7 7/8"
8	RK-PRV-8	35094	9 7/8"
10	RK-PRV-10	35095	11 7/8"
12	RK-PRV-12	35096	13 7/8"
14	RK-PRV-14	35097	15 7/8"
16	RK-PRV-16	35098	17 7/8"
18	RK-PRV-18	35099	19 7/8"
20	RK-PRV-20	35100	21 7/8"
22	RK-PRV-22	35101	23 7/8"
24	RK-PRV-24	35102	25 7/8"

Single Rod

*RK-PRV Includes Items 2 - 5, 7 - 10

**Rod Includes Items 7 - 10

Model 22 & V22 Shipping Weight

Wall Thickness (inches)	4	6	8	10	12	14	16	18	20	22	24
Shipping Wt. Ea. (lbs)	2.8	3.0	3.2	3.4	3.6	3.8	4.0	4.2	4.4	4.6	4.8



For more information contact...

WOODFORD MANUFACTURING COMPANY

2121 Waynoka Road, Colorado Springs, Colorado 80915 • Phone: (800) 621-6032 • Fax: (800) 765-4115

To view our complete product line visit: www.woodfordmfg.com or email: sales@woodfordmfg.com

A Division Of WCM Industries, Inc.