



# SERVICE PARTS LIST

**BULLETIN NO.**  
**54-47-2600**

SPECIFY CATALOG NO. AND SERIAL NO. WHEN ORDERING PARTS		REVISED BULLETIN	DATE
<b>M18™ Cut-Out Tool</b>			Sept. 2016
<b>CATALOG NO.</b>	<b>2627-20</b>	<b>STARTING SERIAL NO.</b>	<b>H54A</b>
			WIRING INSTRUCTION

FIG.	PART NO.	DESCRIPTION OF PART	NO. REQ.
1	43-46-0171	Depth Gauge	1
2	-----	Depth Gauge Stopper	1
3	-----	Depth Gauge Sleeve	1
4	40-50-1660	Spring	2
5	48-38-0020	1/8" x 64mm High Speed Steel Cutting Bit	2
6	48-68-0060	Collet Nut	1
7	48-66-0320	1/8" Collet	1
7a	48-66-0325	1/4" Collet	1
8	34-60-0760	Retaining Ring	1
9	02-04-1816	Ball Bearing	1
10	45-30-0305	Rubber Slug	16
11	44-90-0203	Cushion Ring	1
12	44-90-0204	Stamped Ring	1
13	34-40-0370	O-Ring	1
14	45-30-0310	Rubber Cushion/Seal	2

**EXAMPLE:**  

00	0
----	---

 Component Parts (Small #)  
 Are Included When Ordering  
 The Assembly (Large #).

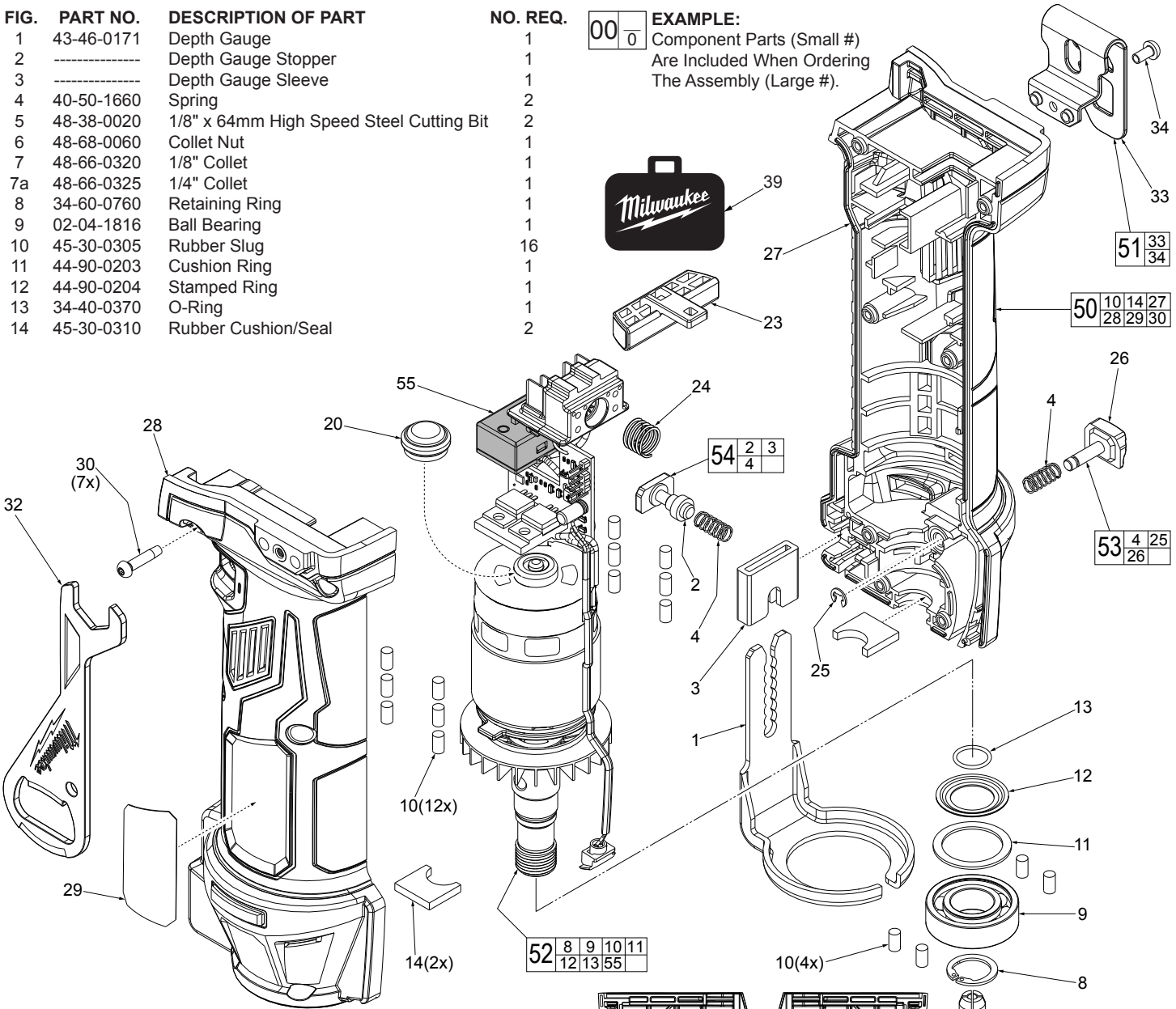
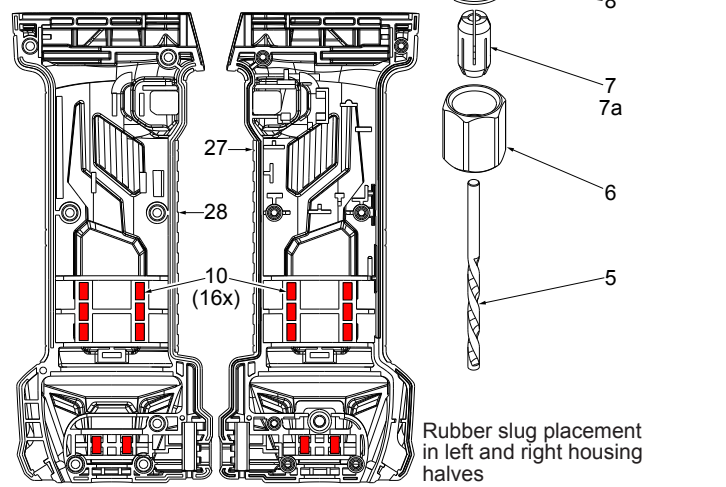
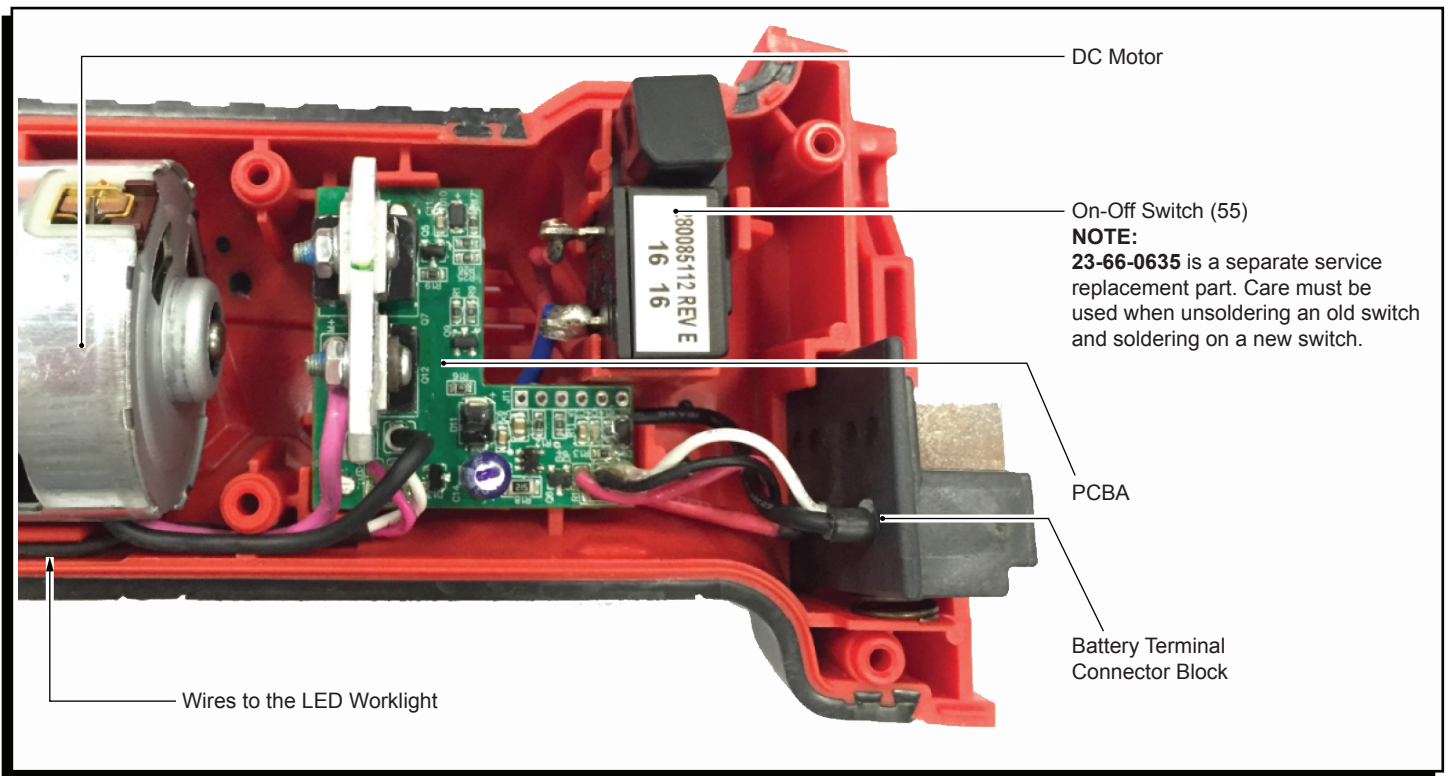


FIG.	PART NO.	DESCRIPTION OF PART	NO. REQ.
20	43-44-0515	Motor Cap Seal	1
23	42-42-0425	On-Off Switch Shuttle	1
24	40-50-1090	Spring	1
25	44-90-0990	E Retaining Ring	1
26	-----	Spindle Lock Button	1
27	-----	Housing Support - Left Housing Halve	1
28	-----	Housing Cover - Right Housing Halve	1
29	12-20-0084	Service Nameplate	1
30	06-82-2025	M3.5 x 16mm Pan Hd. ST T-10 Screw	7
32	49-96-0011	Wrench	1
33	-----	Belt Clip	1
34	06-82-0130	6-32 x 5/16" Pan Hd. T-15 Machine Screw	1
39	42-55-6148	Contractors Bag	1
50	31-44-0059	Housing Assembly	1
51	42-70-2653	Belt Clip Kit	1
52	14-50-0081	Motor/Electronics/Spindle Assembly	1
53	44-20-0075	Spindle Lock Assembly	1
54	42-42-0415	Depth Gauge Adjustment Assembly	1
55	23-66-0635	On-Off Switch	1



Rubber slug placement  
in left and right housing  
halves



**NOTE:** Be sure to place all components of the Motor/Electronics/Spindle Assembly (52) firmly and squarely in the Housing Support (27). Be sure to route wires into wire traps as shown. Check for any interferences prior to installing the Housing Cover (28).