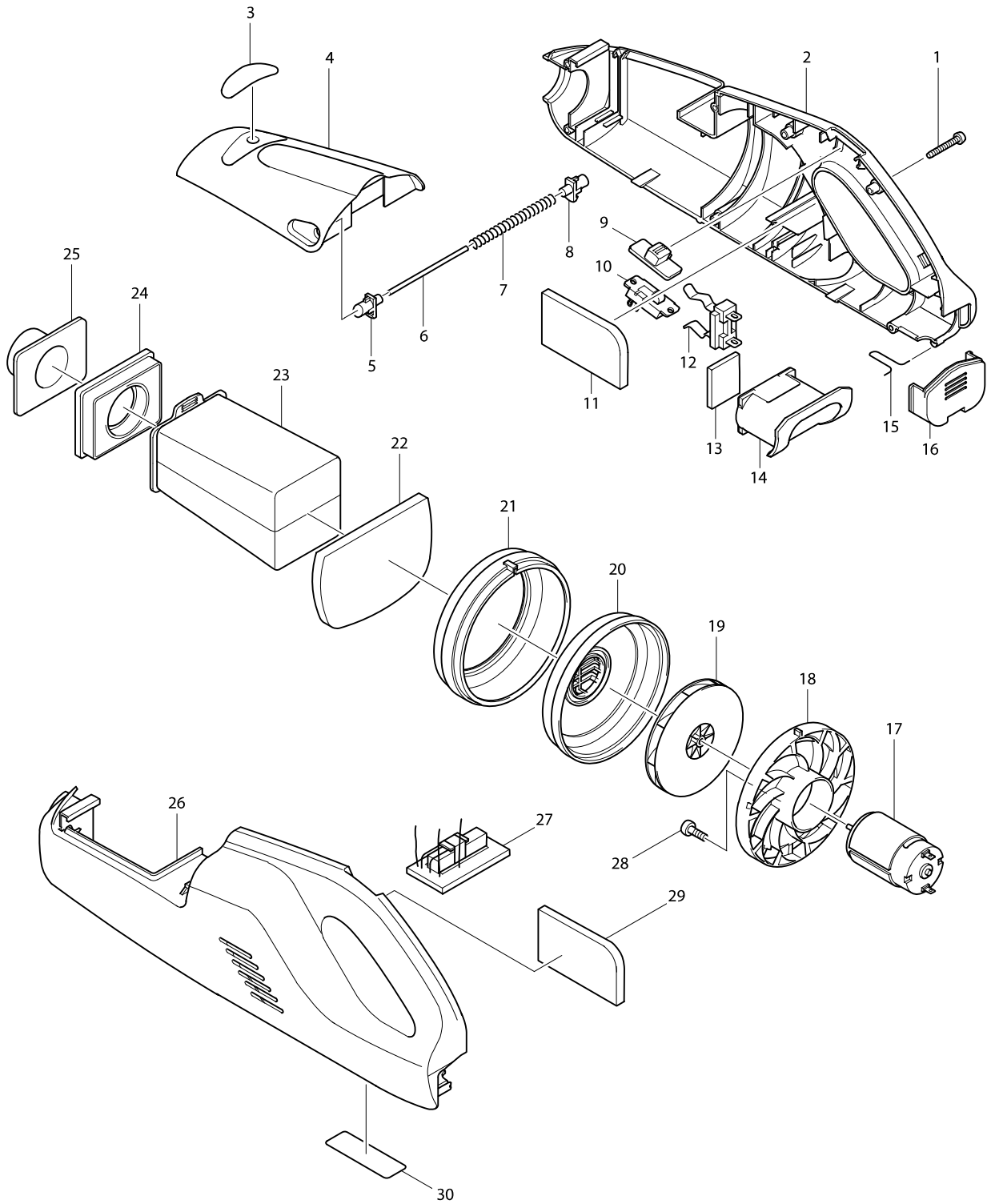


Model No. 4073D CORDLESS CLEANER



Model No. 4073D CORDLESS CLEANER

| Item | Parts No. | Description | I/C | QTY | N/O | Opt. 1 | Opt. 2 | NOTE |
|-------|-----------|------------------------------|-----|-----|-----|--------|--------|------|
| 001 | 266127-8 | + TAPPING SCREW PT 3X20 | | 7 | | | | |
| 002 | 182892-0 | HOUSING SET | | 1 | * | | | |
| D10 | | INC. 26 | | | * | | | |
| 002-1 | 188244-3 | HOUSING SET | < | 1 | | | | |
| D10 | | INC. 26 | | | | | | |
| 003 | 819094-2 | MAKITA LABEL | | 1 | | | | |
| 004 | 150624-3 | FRONT COVER COMPLETE (IVORY) | | 1 | | | | |
| 005 | 416032-1 | HOOK | | 1 | | | | |
| 006 | 256839-1 | ROD 2.5 | | 1 | | | | |
| 007 | 233161-3 | COMPRESSION SPRING 6 | | 1 | | | | |
| 008 | 416032-1 | HOOK | | 1 | | | | |
| 009 | 416027-4 | SWITCH LEVER | | 1 | | | | |
| 010 | 651957-4 | SWITCH DSG-2311-DL | | 1 | * | | | |
| 010-1 | 650572-1 | SWITCH DSG-2311-DL | < | 1 | | | | |
| 011 | 423288-9 | SPONGE SHEET 43-75 | | 1 | | | | |
| 012 | 643909-9 | BATTERY HOLDER | | 1 | | | | |
| 013 | 423303-9 | SPONGE 20-34 | | 1 | | | | |
| 014 | 150694-2 | DUST COVER COMPLETE | | 1 | * | | | |
| 014-1 | 158212-0 | DUST COVER COMPLETE | S | 1 | | | | |
| 015 | 322867-9 | HANGER | | 1 | | | | |
| 016 | 416028-2 | COVER (IVORY) | | 1 | | | | |
| 017 | 629709-1 | DC MOTOR | | 1 | | | | |
| 018 | 416029-0 | BASE | | 1 | * | | | |
| 018-1 | 451373-8 | BASE | < | 1 | * | | | |
| 018-2 | 452455-9 | BASE | < | 1 | | | | |
| 019 | 241895-4 | FAN 82 | | 1 | * | | | |
| 019-1 | 240102-2 | FAN 82 | < | 1 | | | | |
| 020 | 416030-5 | FAN COVER | | 1 | | | | |
| 021 | 421554-8 | RUBBER RING | | 1 | | | | |
| 022 | 423287-1 | SPONGE SHEET 70-106 | | 1 | | | | |
| 023 | 166043-3 | DUST BAG | | 1 | | | | |
| 024 | 421553-0 | PACKING | | 1 | | | | |
| 025 | 416031-3 | INLET | | 1 | * | | | |
| 025-1 | 417686-7 | INLET | X | 1 | | | | |
| 026 | 182892-0 | HOUSING SET | | 1 | * | | | |
| D10 | | INC. 2 | | | * | | | |
| 026-1 | 188244-3 | HOUSING SET | < | 1 | | | | |
| D10 | | INC. 2 | | | | | | |
| 027 | 631224-3 | RESISTANCE CIRCUIT | | 1 | | | | |
| 028 | 911007-0 | PAN HEAD SCREW M3X8 | | 2 | | | | |
| 029 | 423288-9 | SPONGE SHEET 43-75 | | 1 | | | | |
| 030-1 | 858721-6 | NAME PLATE 4073D | | 1 | | | | |
| A01 | 416043-6 | SASH NOZZLE HOLDER (IVORY) | | 1 | | | | |
| A02 | 122520-5 | NOZZLE ASS'Y (IVORY) | | 1 | | | | |
| A03 | 416042-8 | PIPE (IVORY) | | 1 | | | | |
| A04 | 416041-0 | SASH NOZZLE (IVORY) | | 1 | | | | |
| A05 | 192632-8 | PAPER FILTER (5PCS/SET) | | 1 | * | | | |
| A05-1 | 194566-1 | PAPER FILTER SET (5PCS/SET) | O | 1 | | | | |