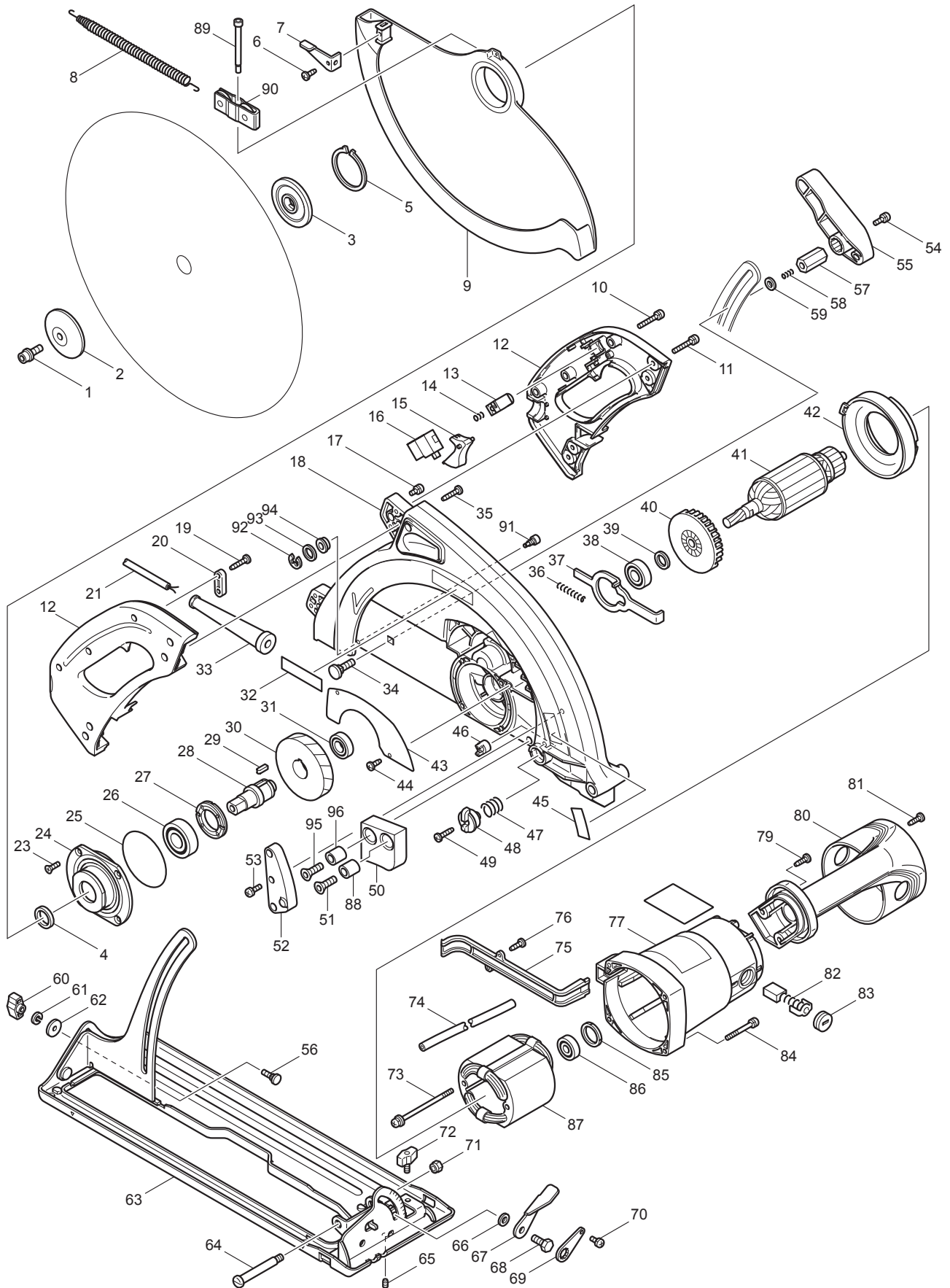




05 - 2010

5402NA

16-5/16" CIRCULAR SAW
(with Electric Brake)



Item No.	Type	Sub Part No.	Description	Qty	Unit
1		265408-7	HEX. SOCKET HEAD BOLT M8X20	1	PC.
2		224310-3	OUTER FLANGE 65	1	PC.
3		224264-4	INNER FLANGE 65	1	PC.
4		257230-6	RING 20	1	PC.
5		961252-7	RETAINING RING S-55	1	PC.
6		266026-4	TAPPING SCREW BIND CT 4X12	1	PC.
7		344966-7	LEVER	1	PC.
8		231826-1	TENSION SPRING 8	1	PC.
9	1	317377-9	* SAFETY COVER - N/L/A	1	PC.
	2	318315-4	* SAFETY COVER	1	PC.
10	1	911148-2	* PAN HEAD SCREW M4X25	3	PC.
	2	911153-9	* PAN HEAD SCREW M4X28	3	PC.
11		911253-5	PAN HEAD SCREW M5X30	4	PC.
12	1	183291-9	* HANDLE SET	1	SET
	INC.		Item No. 22		
	2	183532-3	* HANDLE SET	1	SET
	INC.		Item No. 22		
13		417117-6	LOCK-OFF BUTTON	1	PC.
14		233284-7	COMPRESSION SPRING 5	1	PC.
15		417115-0	SWITCH LEVER	1	PC.
16		651985-9	SWITCH TG70B-2	1	PC.
17		652014-1	PAN HEAD SCREW M4X8	1	PC.
18	1	183307-0	* BLADE CASE	1	PC.
	INC.	263005-3	* RUBBER PIN 6	1	PC.
	INC.		Item No. 32,45		
18	2	188578-4	* BLADE CASE	1	PC.
	INC.	263005-3	* RUBBER PIN 6	1	PC.
	INC.		Item No. 32,45		
18	3	158811-8	* BLADE CASE COMPLETE	1	PC.
	INC.	263005-3	* RUBBER PIN 6	1	PC.
19		265995-6	TAPPING SCREW 4X18	2	PC.
20		687053-2	STRAIN RELIEF	1	PC.
21		664850-3	POWER SUPPLY CORD AWG#14-3-5.0	1	PC.
23		265034-2	+ COUNTERSUNK HEAD SCREW M5X16	4	PC.
24		317378-7	BEARING BOX	1	PC.
25		213763-1	O RING 75	1	PC.
26		211329-1	BALL BEARING 6204DDW	1	PC.
27		285824-7	BEARING RETAINER 31-48	1	PC.
28		323938-5	SPINDLE	1	PC.
29		254229-2	KEY 5	1	PC.
30		226526-6	HELICAL GEAR 62	1	PC.
31		211201-7	BALL BEARING 6002LLB	1	PC.
32		819064-1	* MAKITA MARK (OLD)	1	PC.
33		682564-2	CORD GUARD	1	PC.
34		265845-5	CAP SQUARE NECK BOLT M8X30	1	PC.
35		265995-6	TAPPING SCREW 4X18	2	PC.
36		233264-3	COMPRESSION SPRING 5	1	PC.
37		344890-4	SHAFT LOCK	1	PC.
38		211228-7	BALL BEARING 6202DDW	1	PC.
39		253147-1	FLAT WASHER 15	1	PC.
40		241870-0	FAN 80	1	PC.
41		516836-2	ARMATURE ASS'Y 115V	1	PC.
	INC.		Item No. 38-40,86		
42		417278-2	BAFFLE PLATE	1	PC.
43		344891-2	COVER PLATE	1	PC.
44		266026-4	TAPPING SCREW BIND CT 4X12	2	PC.

Item No.	Type	Sub Part No.	Description	Qty	Unit
45		816374-7	* INDICATION LABEL (OLD)	1	PC.
46		417280-5	STOPPER PIN	1	PC.
47		233272-4	COMPRESSION SPRING 16	1	PC.
48		417279-0	LOCK LEVER	1	PC.
49		266045-0	TAPPING SCREW 4X20	1	PC.
50		421820-3	RUBBER CUSHION	1	PC.
51		251973-2	HEX. SOCKET HEAD BOLT M8X25	1	PC.
52		417282-1	STOPPER PLATE	1	PC.
53		911113-1	PAN HEAD SCREW M4X10	1	PC.
54		911113-1	PAN HEAD SCREW M4X10	1	PC.
55		417281-3	LEVER 98	1	PC.
56		251919-8	CAP SQUARE NECK BOLT M6X20	1	PC.
57		252165-6	HEX.NUT M8-35	1	PC.
58		231485-1	COMPRESSION SPRING 4	1	PC.
59		941201-0	FLAT WASHER 8	1	PC.
60		252624-0	WING NUT M6	1	PC.
61		942151-2	SPRING WASHER 6	1	PC.
62		253010-8	FLAT WASHER 6	1	PC.
63	1	163426-8	* BASE - N/L/A	1	PC.
	2	163498-3	* BASE	1	PC.
64		251405-9	- FLAT HEAD SCREW K8	1	PC.
65		266208-8	H.S.SET SCREW(CUP POINT)M6X8	1	PC.
66		941201-0	FLAT WASHER 8	1	PC.
67		344980-3	LEVER PLATE	1	PC.
68		921432-7	HEX. BOLT M8X20	1	PC.
69		341415-5	LOCK PLATE	1	PC.
70		911108-4	PAN HEAD SCREW M4X8	1	PC.
71		252105-4	HEX. LOCK NUT M8-13	1	PC.
72		251858-2	SCREW M6X15	1	PC.
73		911945-6	PAN HEAD SCREW M5X85	2	PC.
74		683393-6	VARNISHED POLYESTER TUBE 4-220	1	PC.
75		417276-6	LEAD COVER	1	PC.
76		266026-4	TAPPING SCREW BIND CT 4X12	2	PC.
77		152907-7	MOTOR HOUSING COMPLETE	1	PC.
		INC. 263002-9	RUBBER PIN 4	1	PC.
		INC. 643712-8	BRUSH HOLDER	2	PC.
79		266027-2	TAPPING SCREW CT5X16	2	PC.
80		417277-4	FRONT HANDLE	1	PC.
81		266027-2	TAPPING SCREW CT5X16	2	PC.
82	1	191953-5	CARBON BRUSH CB-203 2PC/SET (W/O ORIGIN)	1	SET
	2	194991-6	CARBON BRUSH CB-203 2PC/SET (W/ ORIGIN)	1	SET
83		643700-5	BRUSH HOLDER CAP 7-18	2	PC.
84		911263-2	PAN HEAD SCREW M5X40	4	PC.
85		261081-1	URETHANE WASHER 25	1	PC.
86		211066-7	BALL BEARING 6200LLB	1	PC.
87	1	526106-1	FIELD ASS'Y 115V - N/L/A	1	PC.
		INC. 654197-3	RING TERMINAL	1	PC.
		INC. 654502-4	CONNECTOR P-2	1	PC.
87	2	520053-8	FIELD ASS'Y 115V	1	PC.
		INC. 654197-3	RING TERMINAL	1	PC.
		INC. 654553-7	CONNECTOR 34137	1	PC.
		INC. 684790-9	VINYL TUBE (Added)	1	PC.
		INC. 689139-8	RING TERMINAL RETAINER (Added)	1	PC.
88		257720-9	SLEEVE 8	1	PC.
89		266290-7	HEX. SOCKET HEAD BOLT M5	1	PC.
90		163431-5	ROLLER COMPLETE	1	PC.

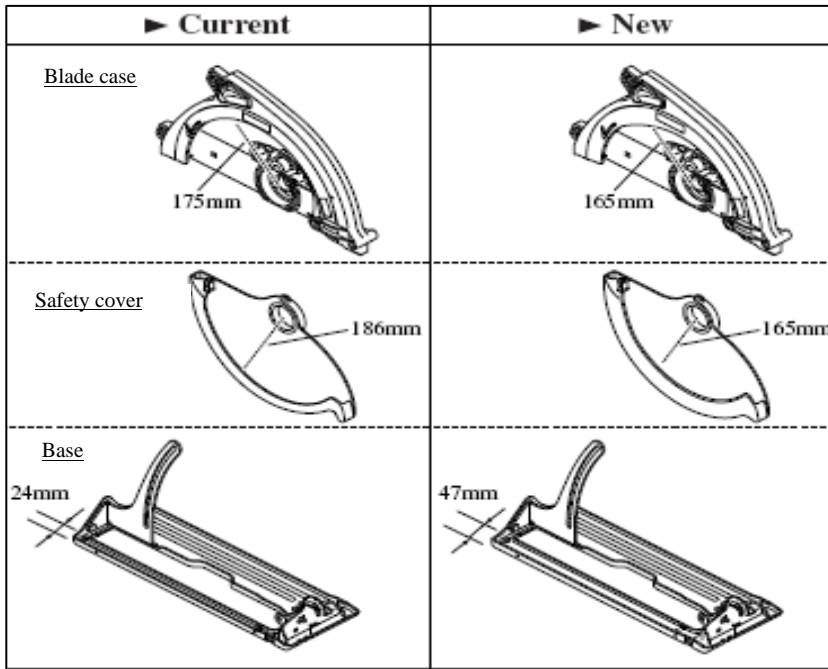
Item No.	Type	Sub	Part No.	Description	Qty	Unit
91			266289-2	HEX. SOCKET HEAD BOLT M6	1	PC.
92			961017-7	STOP RING E-3	1	PC.
93			267099-0	FLAT WASHER 4	1	PC.
94			262104-8	SHOULDER RING 4	1	PC.
95			251973-2	HEX. SOCKET HEAD BOLT M8X25	1	PC.
96			257720-9	SLEEVE 8	1	PC.
97			816931-1	* INDICATION LABEL	1	PC.
<u>ACCESSORIES</u>						
A01			164019-4	GUIDE RULE	1	PC.
A02			A-90956	16-5/16" C.T SAW BLADE 32T	1	PC.
	Opt.		792118-8	16-5/16" C.T SAW BLADE 60T	1	PC.
A03			783204-6	HEX. WRENCH 6	1	PC.
A04			194701-1	PROTECTIVE STAND SET	1	SET

SERVICE CHANGES

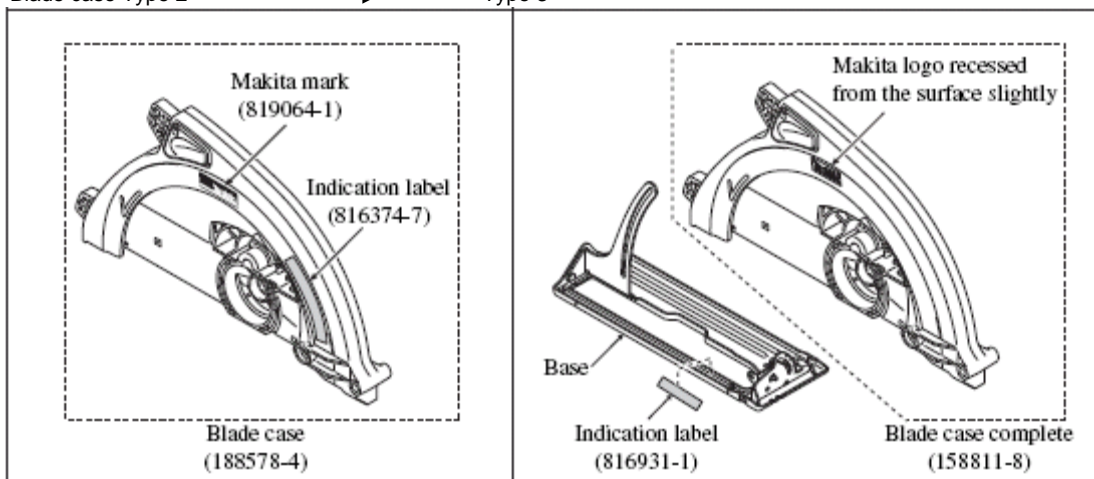
1. Changes on Base, Blade Case, Safety Cover

Item No.	Description	Type 1	Type 2	Type 3
9	Safety Cover	317377-9 (N/L/A)	318315-4	
18	Blade Case	183307-0	188578-4	158811-8
32	Makita Mark (component of Item No.18)	819064-1	819064-1	-----
45	Indication Label (component of Item No.18)	816374-7	816374-7	-----
97	Indication Label (component of Item No.18)	-----	-----	816931-1
63	Base	163426-8	163498-3	

Item No. 9 & 18 are interchangeable as a set.



Blade case Type 2 → Type 3

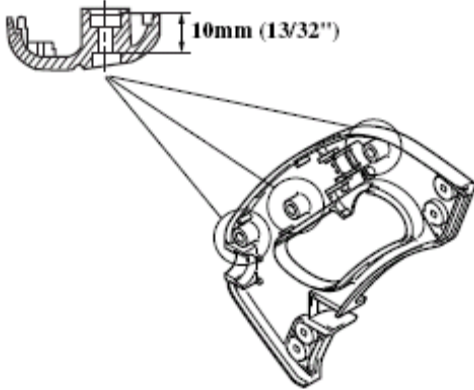


2. Changes on Handle Set

Item No.	Description	Type 1	Type 2	Type 3
10	Pan Head Screw	911148-2	911153-9	
12	Handle Set	183291-9	183532-3	

Above parts are completely interchangeable as a set.

Type1 - Handle set



Type2 - Handle set

