



AT200[®] SPALET[®]

INSTALLATION MANUAL

9033C200-415 - SEAT & BOWL COMBINATION-CWH

3351C801-415 - BOWL-CWH

8015A70GRC-415 - SEAT-CWH

Canvas White (415)

Table of Contents

1. Observe Listed Precautions for Safety!	1
2. Power Supply	2
3. Water Pressure	2
4. Minimum Installation Clearance	2
5. Installation position of the remote control	2
6. Do Not Place Seat Unit on Floor!	2
7. Notes Prior to Installation	2
8. Part Description	3
9. Parts list	4
10. Installation Procedure	6
1. Mounting the Toilet Bowl	6
2. Attaching the Water Shutoff Valve	11
3. Mounting the Seat Unit	13
4. Connecting the Water Supply Hose (To the seat unit)	15
5. Connecting the Water Supply Hose (To the water shutoff valve)	17
6. Connecting to the Power Supply	18
7. Mounting the Remote Control Unit	19
8. Check for Water Leakage	21
9. Attaching the Side Covers	22
10. Test Operation	23
11. If the water does not flow well, clean the strainer.	24
12. To prevent water from freezing inside this product, follow the procedure below to drain the water.	25

1. Observe Listed Precautions for Safety

These safety precautions are essential for proper installation and use of the product. Please read the precautions thoroughly before installing this product.

Explanation of Hazard Symbols

WARNING Indicates a potentially hazardous situation which, if not avoided, may result in death or serious injury.

CAUTION Indicates a potentially hazardous situation which, if not avoided, may result in minor or moderate injury or damage to this product and other property.

WARNING

Install this product according to this installation manual.

* Improper installation may result in electric shock, fire, injuries, or water leakage.

Do not allow anyone except an authorized service technician to disassemble, repair, or modify this product, as this may cause electric shock, fire, or injuries.

Do not pour water or cleaning chemicals directly onto the body or the power plug, as this may cause electric shock or fire.

This product should be grounded, as electric shock or fire may result.

Do not pinch or damage the power cord, as this may cause electric shock or fire.

Do not use a loose or ungrounded outlet, as this may cause electric shock or fire.

Do not install this product in a wet or damp location, such as inside a shower room or steam room, as this may lead to electric shock or fire.

In order to reduce the possibility of skin irritation, only connect the product to a potable water supply line.

* The inside of the product may become corroded, causing an electric shock, fire, or skin inflammation.

Do not remove or connect the power plug with wet hands, as this may cause electric shock.

Do not use this product with any power supply other than 120 VAC.

Do not plug any other appliances into the same outlet as this product, as this may lead to fire.

Firmly connect the power plug into the outlet, otherwise it may lead to electric shock or fire.

CAUTION

Flush any debris inside the toilet's water supply line prior to connecting the toilet bowl.

* Damage inside the product may result in water leakage.

- When removing the strainer inside the water shutoff valve, make sure to close the water shutoff valve.
- When installing the strainer inside the water shutoff valve, make sure that the water shutoff valve is tightened completely, as this may result in flooding on the floor.

Check the water shutoff valve for leakage after installation, as this may result in flooding on the floor.

Ceramics are breakable.

- Prior to installation, check that there have been no breakages during transportation.
- After installation, check that there have been no breakages during installation.

* Damaged portions may cause injury, or leakage resulting in flooding on the floor.

To the contractor:

If freezing weather is anticipated before handing this product over to the customer, drain the water and leave it, as damage from freezing may result in flooding on the floor.

2. Power Supply

Follow the instructions below when preparing the electrical outlet for this product. **INAX recommends that his product be connected to a GFCI-protected outlet. Furthermore, it is strongly advised that the installation of such an outlet be performed by a licensed electrician.**

- Use a **120 VAC** power supply **with a rating of 1300 W**. Check local electrical codes.
- Make sure this product is grounded correctly.
- Do not use an extension cord or any other kind of adapter to connect this product to an outlet.
- The length of the power cord is 3 ft (1 m). The GFCI-protected outlet should be installed within reach of the power cord.
- * Do not connect the power plug to the outlet until the installation is completed. Failure to follow this instruction may cause the product to malfunction.

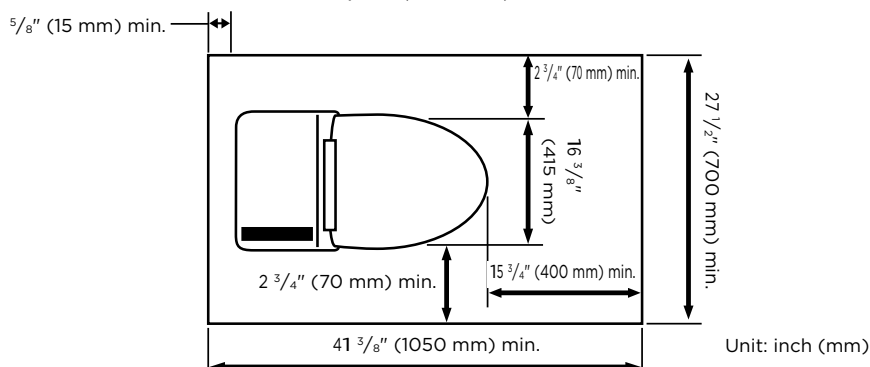
3. Water Pressure

- **INAX recommends a minimum water pressure of 14.5 psi (0.10 MPa) flowing at a minimum flow rate of 4.8 GPM (18 L/min).**

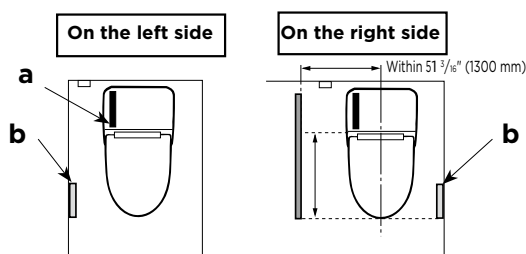
4. Minimum Installation Clearance

The required space and amount of clearance are shown in the figure below.

* INAX recommends a minimum of 2-3/4" (70 mm) or more on each side of the product.



5. Installation position of the remote control



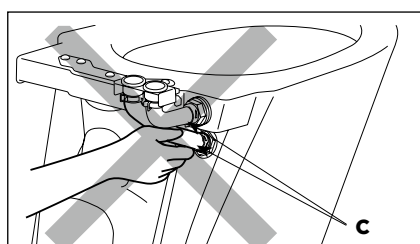
Install the remote control on the left wall when facing the toilet unit, so that it is on the same side as the remote control signal receiver as far as possible. If, for any chance, the remote control has to be installed on the right side, check if the receiver will receive the signal, beforehand. Moreover, if the wall is some distance away from the toilet unit, for example due to a layout such as a wash stand being installed between the wall and the unit, the signal may not be received by the receiver. If this is the case, erect a screen which can reflect signals within 51-3/16" (1300 mm) from the center of the toilet bowl. This screen should be at least 43-5/16" (1100 mm) in height and should cover the distance between the signal receiver and the remote control's installed position. (Note that the conditions may vary a little depending on the wall finish and color.)

- a Remote control signal receiver
- b Remote control

6. Do Not Place Seat Unit on Floor!

Never place the seat unit on the floor, as this may result in **breakage of the seat unit's mounting bolts or water supply inlet.**

7. Notes Prior to Installation

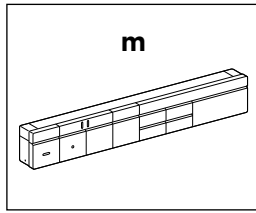
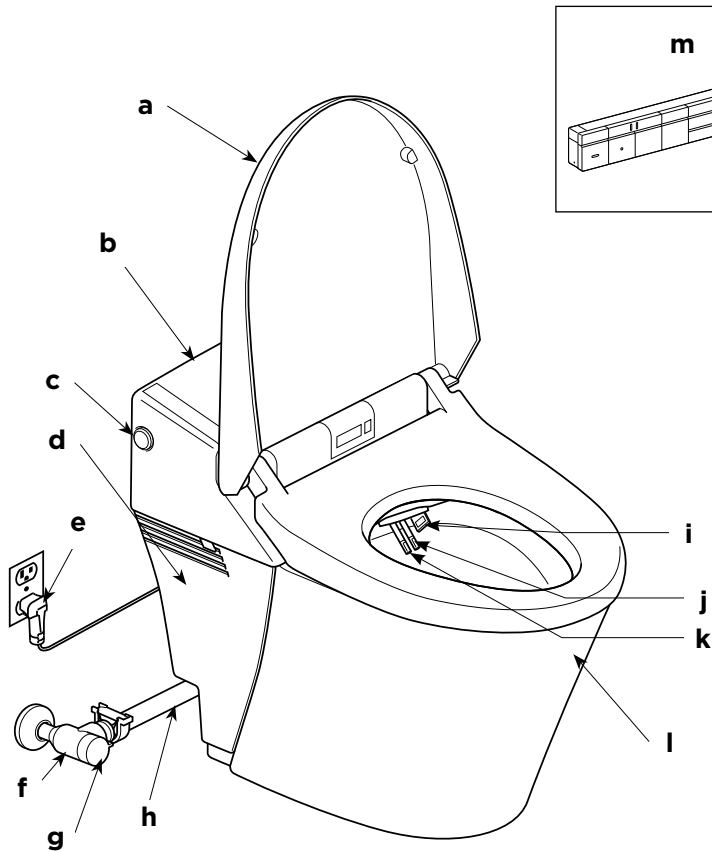


Do not hold the hose at the rear of the toilet bowl.

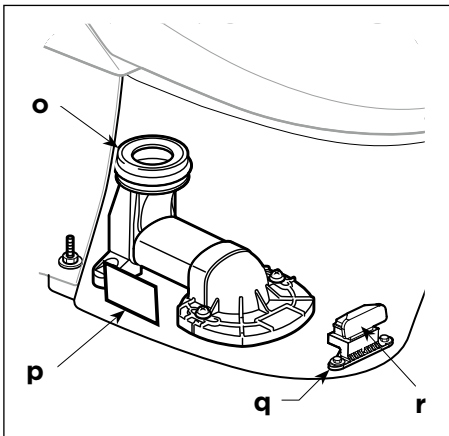
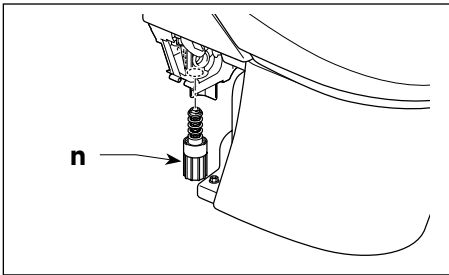
* If the hose is removed, then this may cause leaks, and the toilet will not flush properly.

- c Hoses

8. Part Description



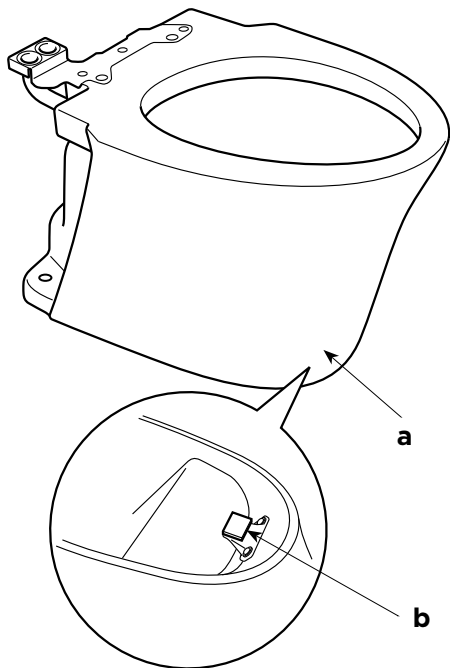
- a** Toilet lid
- b** Seat unit
- c** Flush button
- d** Side cover
- e** Power plug
- f** Water shutoff valve
- g** Open/close handle
- h** Water supply hose
- i** D ryer duct
- j** Nozzle (rear cleansing)
- k** Nozzle (front cleansing)
- l** Toilet bowl
- m** Remote control
- n** Filter
- o** Drain socket
- p** Part number label
- q** Mounting base
- r** Mounting fastener
(Securing the toilet bowl)



9. Parts list (check inside the package)

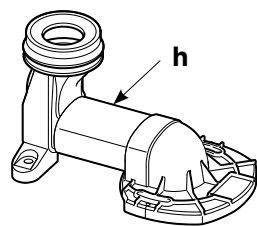
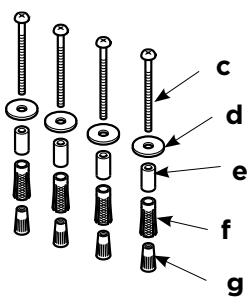
A-J indicate the steps in the procedure.

A



a Toilet bowl

b Mounting fastener (Attached to the toilet bowl)



c Bolt (AY-23W)

d Washer (large)

e Rubber tube

f External tube

g Tapered nut

h Drain socket

i Wax ring

j Flange nut

k Washer (large)

l T bolt

m Mounting nut

n Washer (small)

o Bolt (AY-86D)

p Washer (small)

q Spacer

r Rubber tube

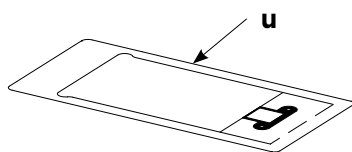
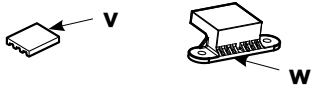
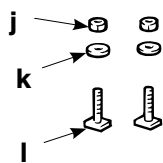
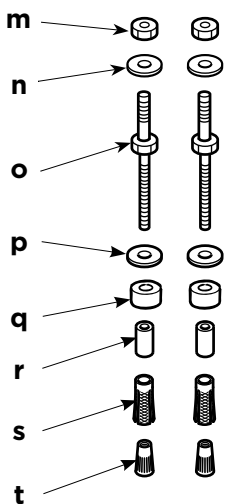
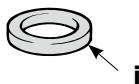
s External tube

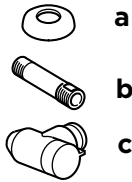
t Tapered nut

u Installation template

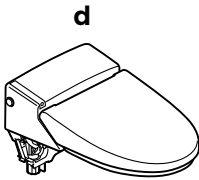
v Mounting adhesive

w Mounting base

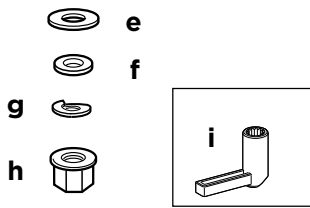


B

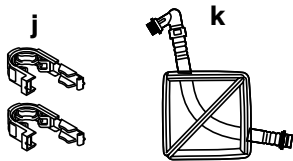
- a** Escutcheon ring
- b** 2-3/8" x 1/2" MIP nipple
- c** Water shutoff valve

C

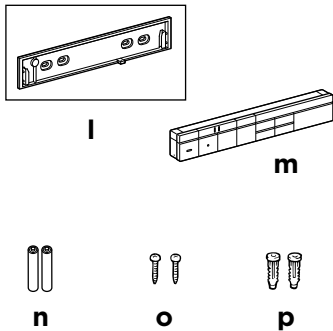
- d** Seat unit
(body, toilet seat, toilet lid)

D

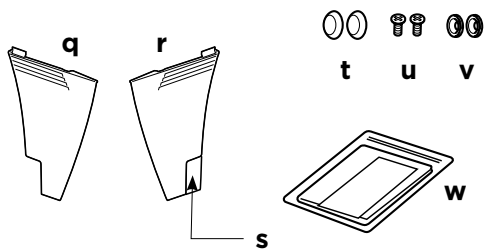
- e** Packing washer
- f** Plastic washer
- g** Spring washer
- h** Nut
- i** Wrench

E

- j** Clips
- k** Water supply hose
(15 3/4" (400 mm))

G

- l** Wall-mount bracket
* The Wall-mount bracket is attached to the rear of the remote control. Slide it off to remove it.
- m** Remote control
- n** Batteries (2xAAA)
- o** Wood screws
- p** Plastic anchors

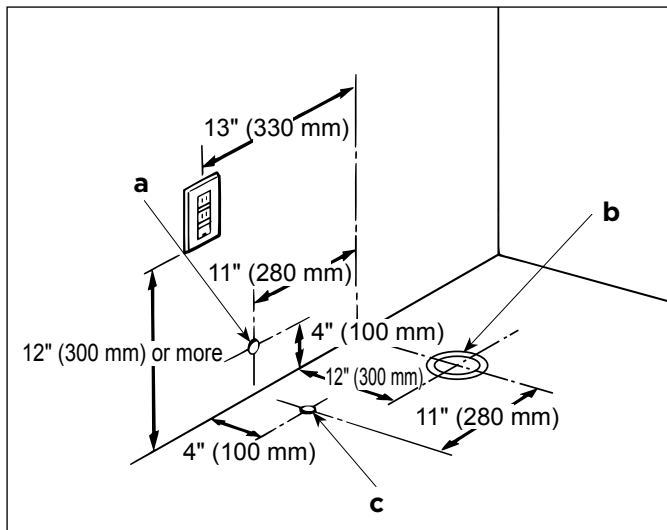
H

- q** Side cover (Left)
- r** Side cover (Right)
- s** Small cover panel
- t** Cap
- u** Flat head screw
- v** Coupling washer
- w** Instruction manual owner's manual and other documents (Attached to the inside of the toilet lid)

10. Installation Procedure

1

Mounting the Toilet Bowl



1. Water Supply Line and Drain Pipe Location

The water supply line and drain pipe should be located according to the diagram on the left.

a 1/2" water supply line (from wall)

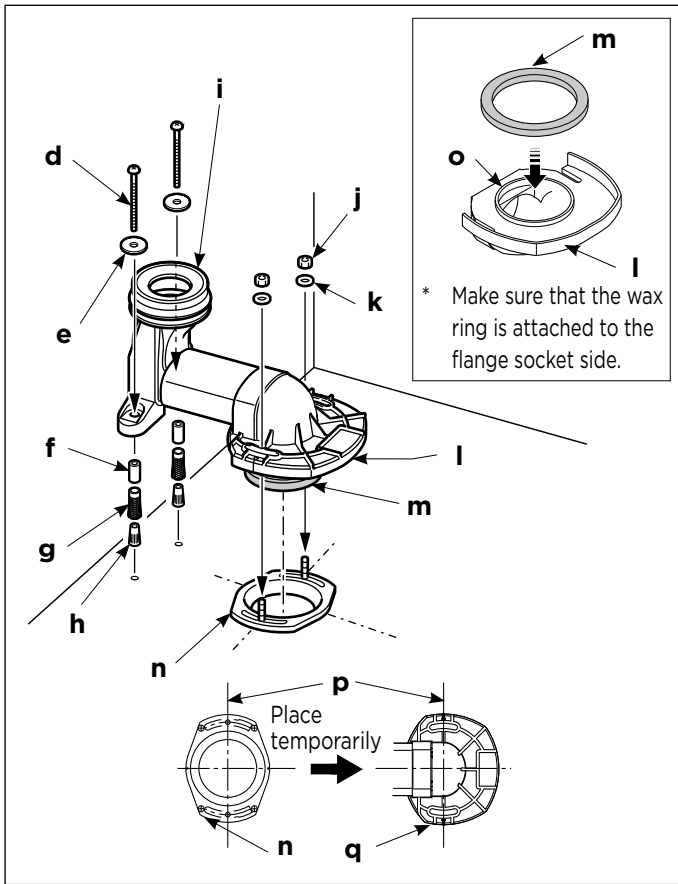
b Floor drain

c 1/2" water supply line (from floor)

[Note]

Before connecting the toilet bowl, the water supply line should be shut off. (for this, INAX recommends the LF-7T)

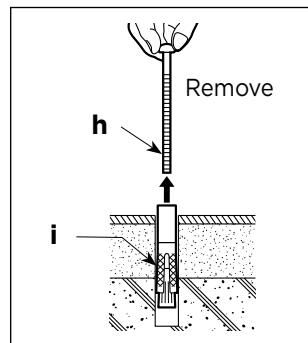
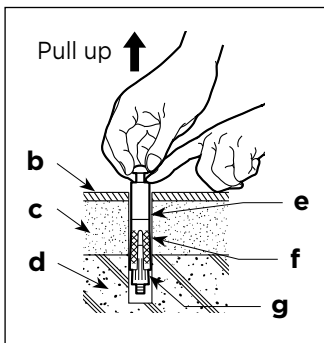
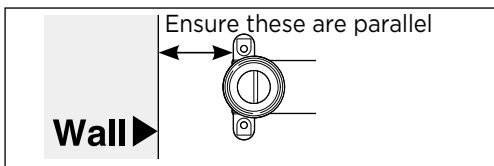
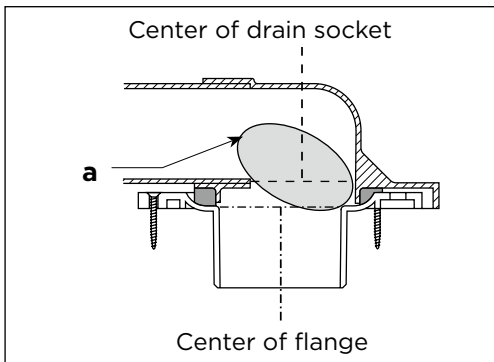
In addition, the drain pipe should be covered to avoid sewer gas leakage.



2. Installing the Drain Socket

- (1) Temporarily connect the drain socket to the closet flange without a wax ring. Mark the locations of the pilot holes to be drilled.
- (2) Drill two pilot holes, $\varnothing 7/16''$ and 1-4/5" deep. Clean out the debris from the pilot holes. Insert the tapered nuts, external tubes, and rubber tubes into the pilot holes.
- (3) Disconnect the drain socket and attached the wax ring to the underside of the drain socket.
- (4) Connect the front of the drain socket to the closet flange, using the large washers and flange nuts.
- (5) Secure the back of the drain socket to the floor, using the large washers and bolts (AY-23W).

- d** Bolt (AY-23W)
- e** Washer (large)
- f** Rubber tube
- g** External tube
- h** Tapered nut
- i** Drain socket
- j** Flange nut
- k** Washer (large)
- l** Flange part
- m** Wax ring
- n** Flange
- o** Drain outlet
- p** Drain center line
- q** Socket flange



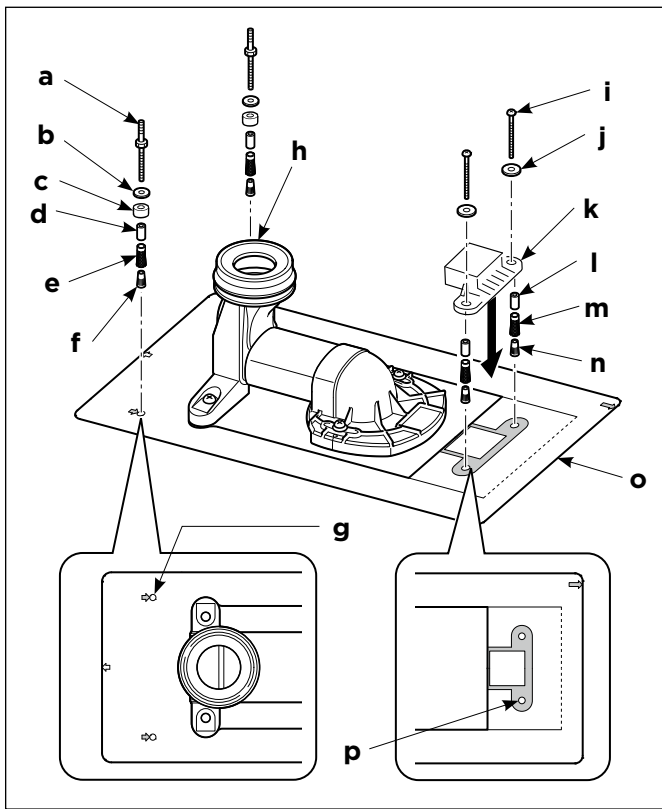
[Note]

When connecting the flange to the drain socket, align the center of the flange with the center of the drain socket. If the drain socket is not centered, this may lead to blockage.

a Waste

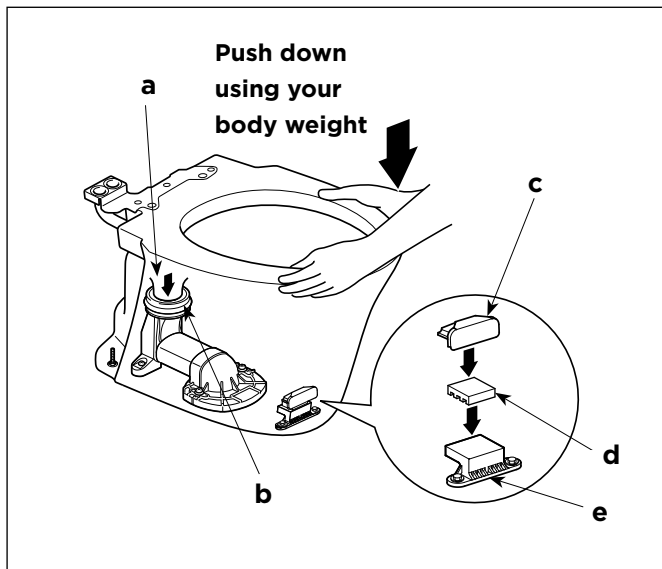
- When attaching the drain socket to the floor, take care to avoid sloping or uneven sections of the floor. Attaching the drain socket backwards may cause incorrect flushing or blockage.
- When securing the drain socket to the closet flange, be sure not to over-tighten the nuts.
* This may damage the flange, causing water leakage.

Ensure that the drain socket is connected parallel to the rear wall. If this is skewed, the toilet bowl will be attached at an angle.



[Reference]

- 1 Place the rubber tube, external tube, and tapered nut in that order on the bolt, and insert it into the pilot hole.
- 2 While pushing the end of the rubber in the hole, pull the bolt forcefully so that the parts are tightened in the hole.
- 3 Extract the bolt.
 - b Tile
 - c Mortar
 - d Concrete
 - e Rubber tube
 - f External tube
 - g Tapered nut
 - h Bolt
 - i Attach firmly



3. Attaching the Mounting Base and Bolts

- (1) Align the installation template with the rear edge of the drain socket. Mark the locations of the 4 pilot holes to be drilled.
- (2) Drill 4 $\varnothing 7/16$ " holes about 2" deep. Clean out the debris from the pilot holes. Insert the tapered nuts, external tubes, and rubber tubes into the pilot holes.
- (3) Align the mounting base with the pilot holes at the front of the installation template. Secure this part using the large washers and bolts.
- (4) Mount the spacers, small washers, and bolts to the toilet bowl mounting holes. Refer to the diagram at the left for order in which the parts are installed.

a Bolt (AY-86D)

b Washer (small)

c Spacer

d Rubber tube

e External tube

f Tapered nut

g Toilet bowl mounting hole

h Drain socket

i Bolt (AY-23W)

j Washer (large)

k Mounting base

l Rubber tube

m External tube

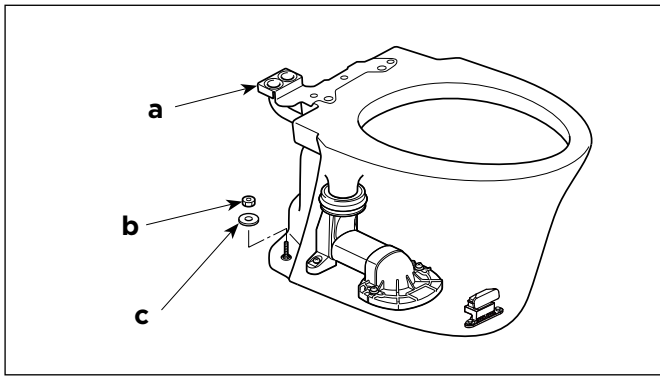
n Tapered nut

o Installation template

p Mounting base mounting hole

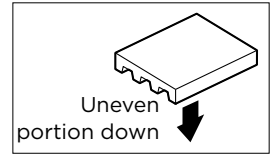
[Note]

Ensure that there are no shavings or other debris on the mounting base. Carefully remove any if present, or it may cause faulty mounting.



4. Securing the Toilet Bowl

- (1) As shown in the Fig., place the mounting adhesive on the mounting base with the uneven portion down.
 - * Place the mounting adhesive so that it will be in the center of the mounting base.
 - * Prevent moisture or impurities from getting on the mounting adhesive.
- (2) Aligning the bolt of the toilet bowl mounting wood screws with the toilet bowl mounting holes, insert the drain outlet of the toilet bowl into the drain rubber joint of the drain socket, then align the position with the toilet bowl raised to the front.
- (3) Carefully place the front of the toilet bowl down, joining together the mounting adhesive of the mounting base and the mounting plate of the toilet bowl.
- (4) Push the front of the toilet down until it touches the floor.
 - * This ensures that the toilet bowl is firmly bonded.
- (5) Lightly push the toilet bowl to make sure it is firmly attached.
 - * If the toilet bowl is not positioned correctly, lift up the front of the toilet bowl, adjust, then reattach by pressing down.



- a** Toilet bowl drain outlet
- b** Drain socket sleeve
- c** Mounting plate (for the toilet bowl)
- d** Mounting adhesive
- e** Mounting base

2 Attaching the Water Shutoff Valve

(1) Detach the open/close knob.

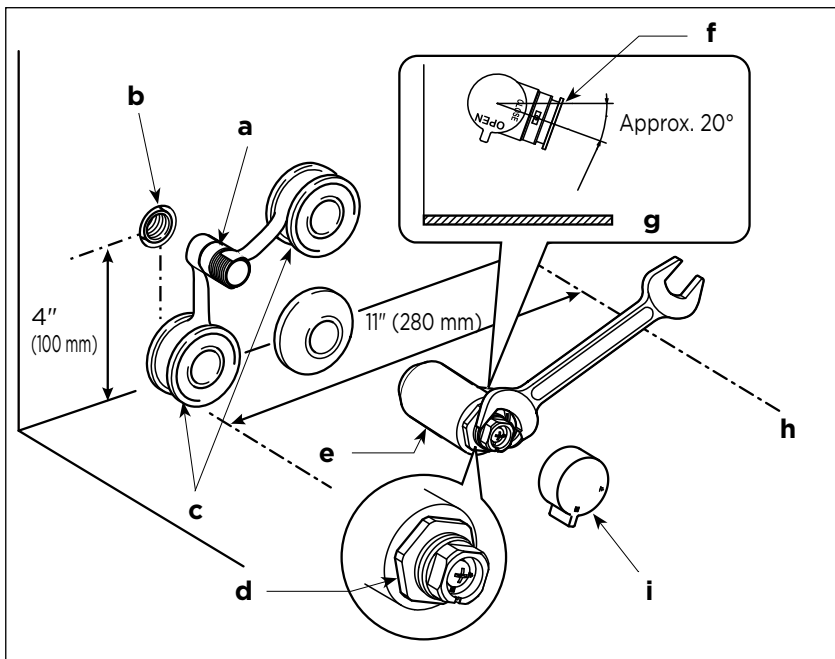
(2) After preparing the wall or floor, attach the 1/2" MIP nipple and water shutoff valve.

* When installing the water shutoff valve onto the water supply pipe, wrap Teflon tape around the screw threads.

* Remove the open/close handle from the water shutoff valve, and tighten the valve as shown in the diagram below.

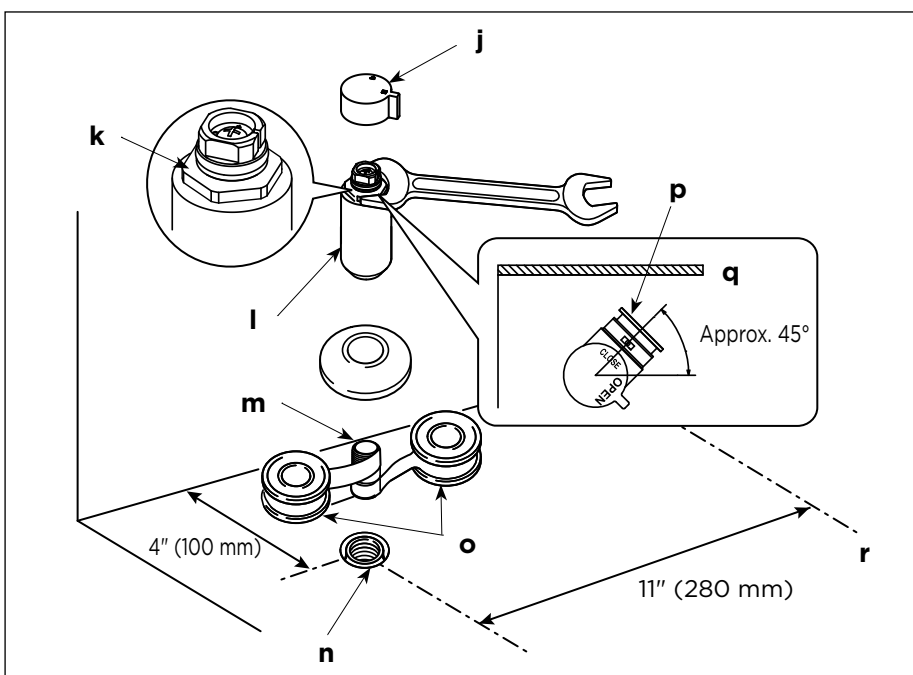
* Similarly, for a floor water supply, angle the valve towards the wall (approx. 45°) for easy connection of the water supply hose.

• Wall water supply

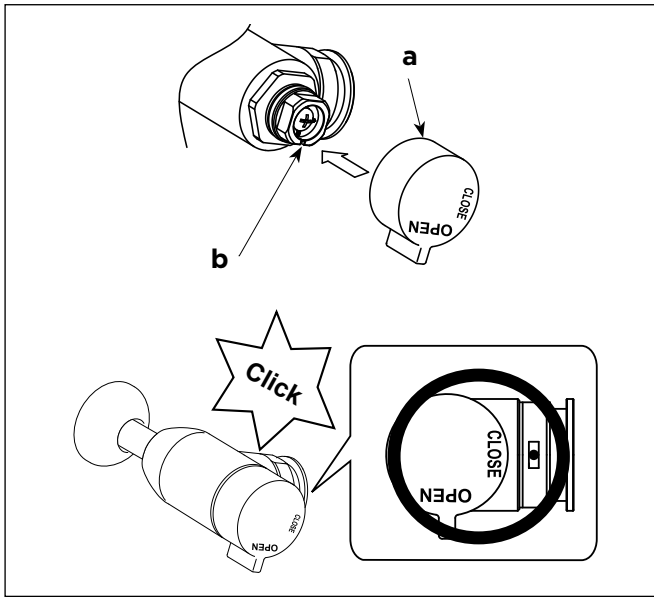


- a 1/2" MIP nipple
- b Water supply pipe
- c Teflon tape
- d Adjustment nut
- e Water shutoff valve
- f Water supply inlet
- g Floor
- h Center line of floor drain
- i Open/close handle

• Floor water supply



- j Open/close handle
- k Hexagonal adjustment nut
- l Water shutoff valve
- m 1/2" MIP nipple
- n Water supply pipe
- o Teflon tape
- p Water supply inlet
- q Wall
- r Center line of floor drain



(3) After attaching the water shutoff valve, attach the open/close handle.

* Check that the water shutoff valve is closed.

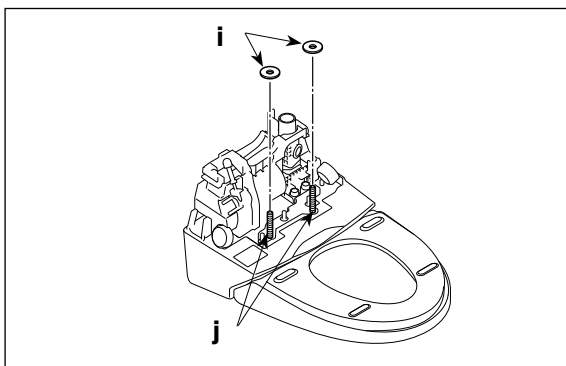
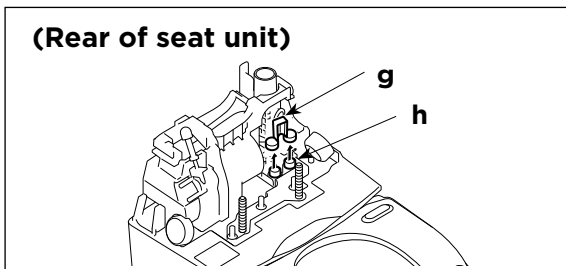
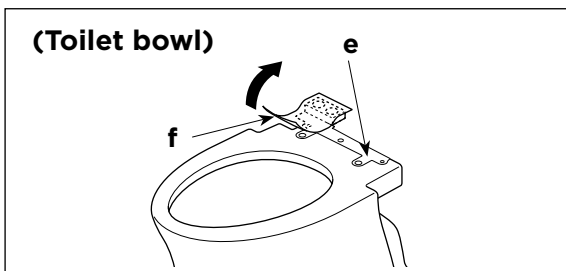
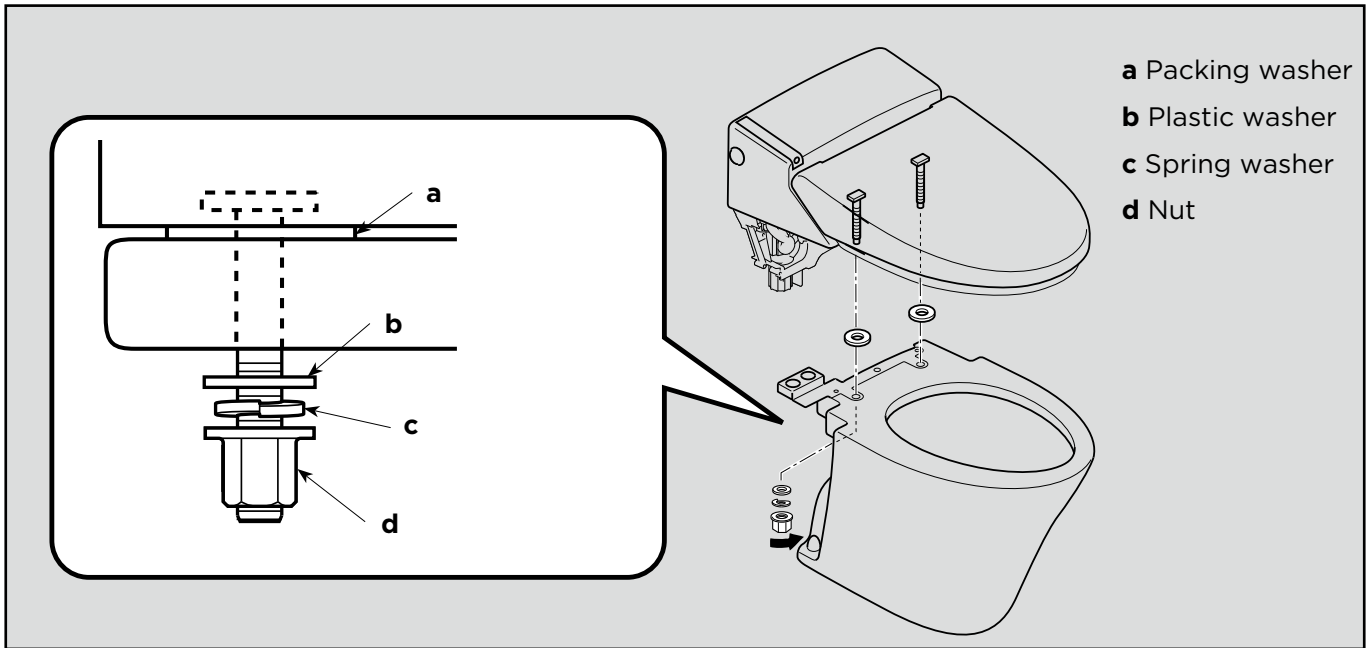
a Open/close handle

b Positioning slot

[Note]

- Do not push or step on the water shutoff valve.
 - * The pipe may come loose, or be damaged, resulting in water leakage, which could damage wall or carpeting.
- Attach the water shutoff valve water supply inlet in such a way that the water supply hose is not crimped.
 - «Floor water supply»
- If the location of the water supply is on the right when facing the toilet, use an A-6778-62, 25" (620 mm) water supply hose available separately.

3 Mounting the Seat Unit



1. Remove the protective tape and protective cap.

Remove the protective tape from the toilet bowl, and the protective cap from the seat unit.

- e Plate (Metal)
- f Protective tape

[Note]

Do not remove the metal plate.
* Water leakage may result.

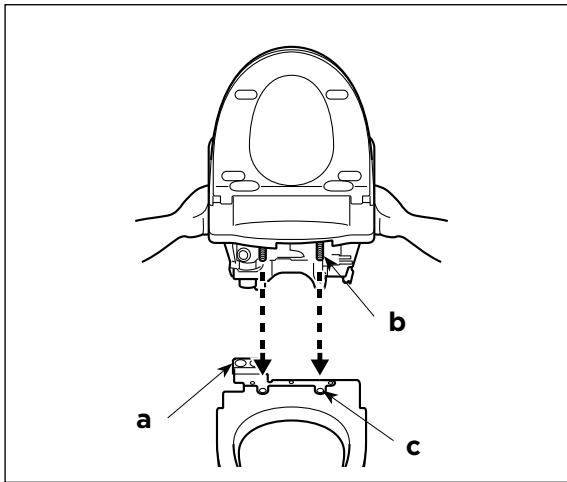
- g Protective cap
- h Cleansing water inlet (Seat unit)

2. Attach the packing washer.

On the underside of the seat unit, place a packing washer on each of the mounting bolts.

* Use the packing washer to prevent any damage to the product.

- i Packing washer
- j Mounting bolts



3. Set the seat unit on the toilet bowl.

Align the mounting bolts on the bottom of the seat unit with the bolt holes on the toilet bowl. Next, place the seat unit on the toilet bowl.

a Water inlet (toilet bowl)

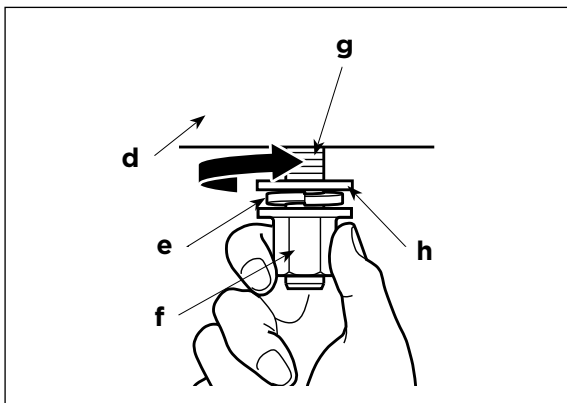
b Mounting bolt

c Bolt hole

[Note]

Check that the product is firmly attached to the toilet bowl to prevent leakage from occurring from the water inlet.

Check that there is no debris on the toilet bowl or seat unit cleansing water inlet to prevent leakage from occurring from the cleansing water inlet.



4. Temporarily tighten the seat unit.

(1) Place the washer and spring washer over the mounting bolt and hand-tighten the nut.

d Toilet bowl

e Spring washer

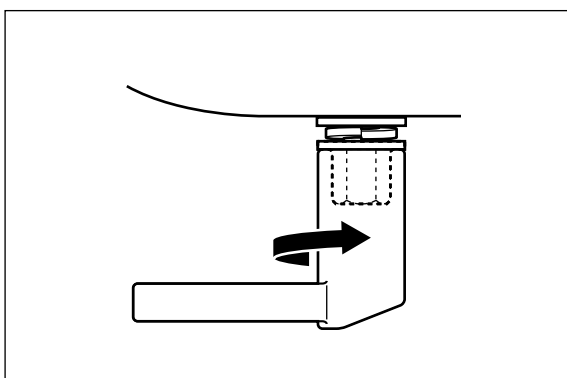
f Nut

g Mounting bolt

h Plastic washer

[Note]

- Tighten the left and right nuts alternatively in order to ensure even tightening to prevent water leakage.



5. Tighten the seat unit.

Tighten the nut with the wrench included in the package.

4

Connecting the Water Supply Hose (To the seat unit)

a Protective cap
b Protective cap
c Seat unit water supply inlet
d Clip
e Water supply hose
f Water supply hose installation packing bracket

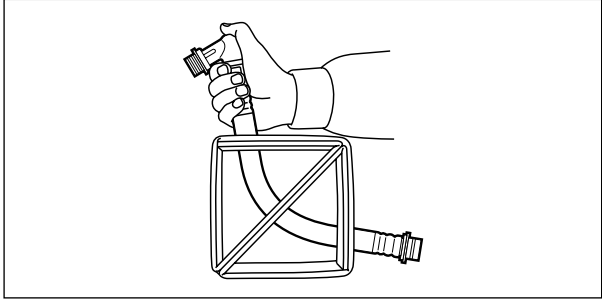
Do not apply excessive force when connecting the water supply hose.

- (1) Remove the protective cap from the seat unit water supply inlet and the water supply hose.
- (2) Connect the water supply hose to the seat unit water supply inlet.

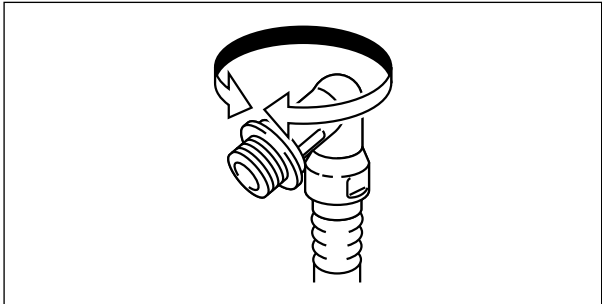
g O-ring

[Note]

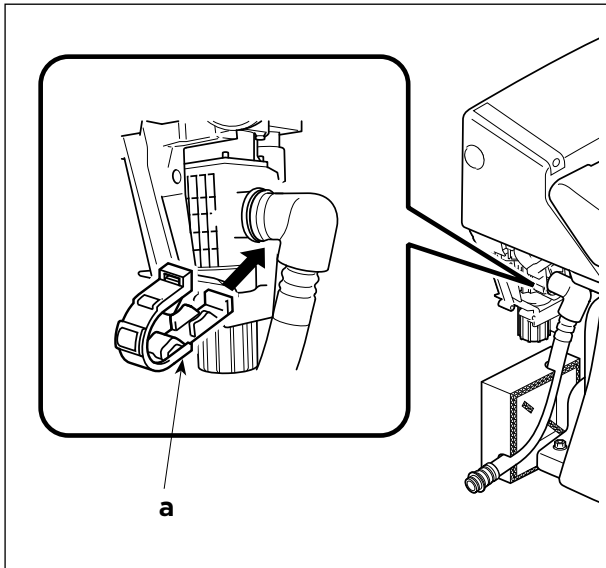
- Be careful not to damage the O-ring.
 - * If the O-ring is damaged, leakage may occur.
- Remove the cap found on the shutoff valve end of the water supply hose immediately prior to connecting the water shutoff valve.
 - * During installation, debris may enter the water supply hose, resulting in a valve malfunction.



Connect the water supply hose to the seat unit while the hose is still in its packing bracket.



The metal fitting on the end of the water supply hose has restricted rotation, and will not turn more than 3 times. When connecting the water supply hose, install so that it can rotate to both the left and right.



(3) Fasten with the clip.

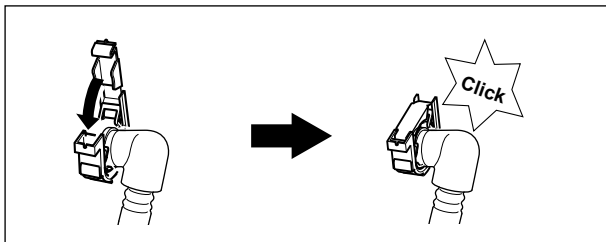
* The clip will only fasten if connected as shown in the diagram.

a Clip

[Note]

- Firmly seat the clip on the product from the side.
- * Do not attach at an angle, as the clip cannot be bent in a way to properly secure the hose.
- Attach the clip firmly.
- * Incorrect attachment will cause water leakage.

(4) Remove the water supply hose from its installation packing bracket.

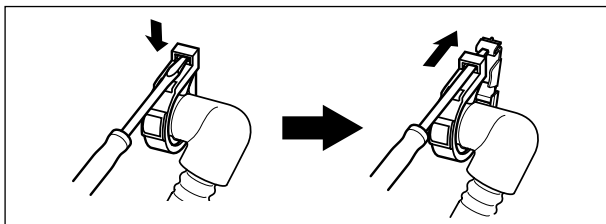


(5) Bend the clip to firmly secure the water supply hose to the seat unit water supply inlet.

After securing, rotate the clip, and check that it is attached properly.

[Note]

- Push the clip until it makes an audible click.
- * Incorrect attachment will cause water leakage.



- When removing the clip, hold the clip with your fingers, insert a flat-blade screwdriver, and press down to remove as shown in the diagram.

5

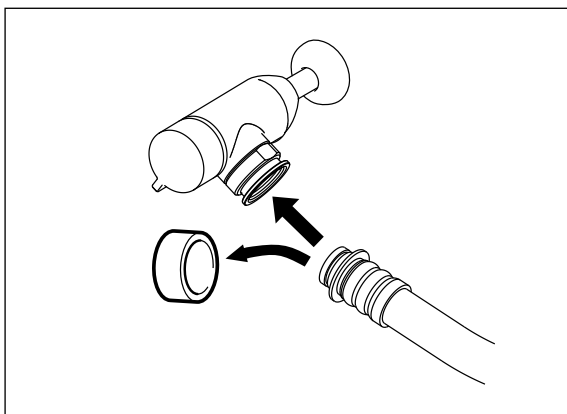
Connecting the Water Supply Hose (To the water shutoff valve)

Wall water supply

a Clip
b Water shutoff valve
c O-ring
d Water supply hose

[Note]

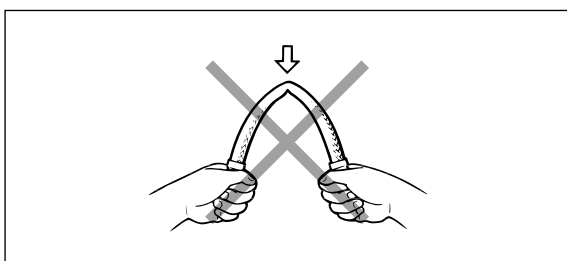
- Be careful not to damage the power plug, or let it fall into the toilet bowl.



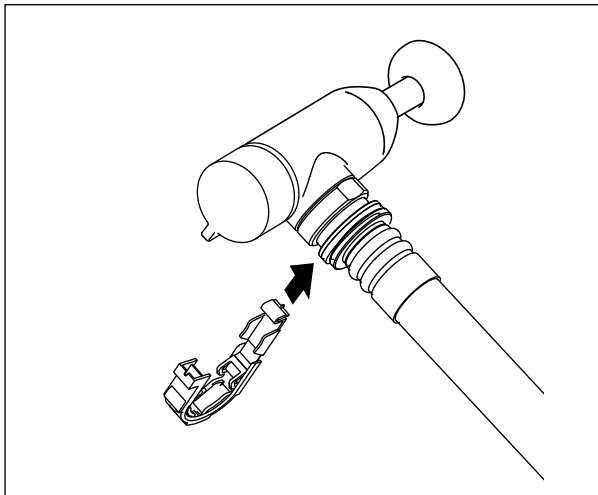
(1) Remove the cap from the water supply hose, and connect the hose to the water supply of the water shutoff valve inlet.

[Note]

- Be careful not to damage the O-ring.
 - * If the O-ring is damaged, leakage may occur.
- Remove the cap found on the water shutoff valve end of the water supply hose immediately prior to connecting the water shutoff valve.
 - * During installation, debris may enter the water supply hose, resulting in a valve malfunction.



Ensure that the water supply hose is not kinked.
 * Otherwise, the hose may be damaged, resulting in water leakage. This may also result in incomplete cleaning.

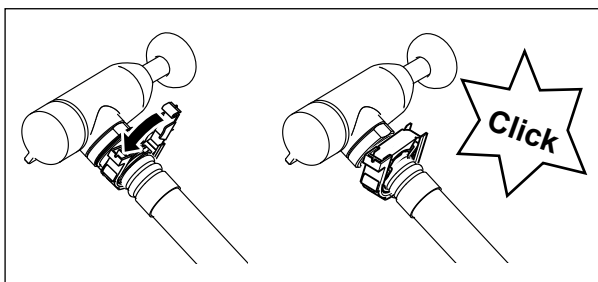


(2) Fasten with the clip.

[Note]

Attach the clip firmly.

* Incorrect attachment will cause water leakage.



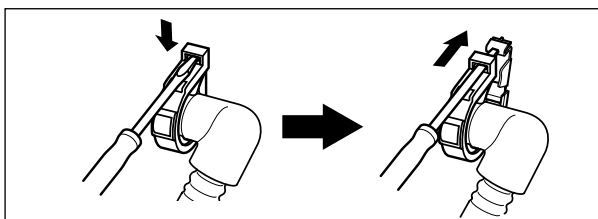
(3) Secure the clip in the same way as with the seat unit water supply inlet.

After securing, rotate the clip, and check that it is attached properly.

[Note]

Push the clip until it makes an audible click.

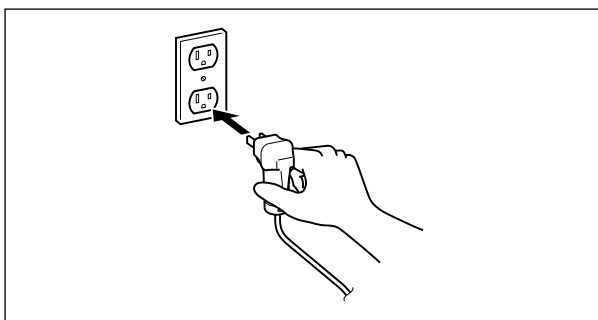
* Incorrect attachment will cause water leakage.



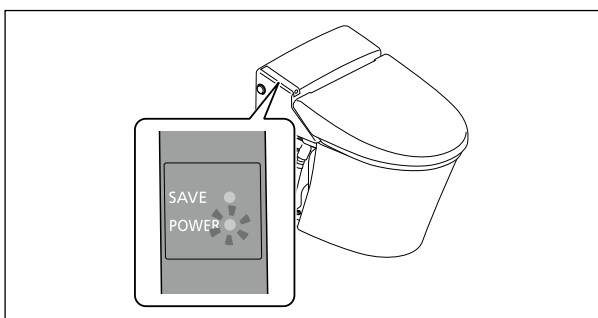
[Reference]

- When removing the clip, hold the clip with your fingers, insert a flat-blade screwdriver, and press down to remove as in the diagram.

6 Connecting to the Power Supply



1. Connect the power plug to the outlet.

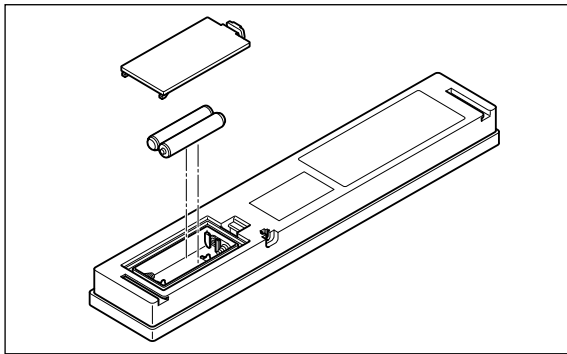


2. Check that the power is on.

Ensure that the power LED on the product is illuminated.

7

Mounting the Remote Control Unit



- (1) Open the back cover of the remote control unit and insert four 1.5-V AAA alkaline batteries.

[Note]

- Place the batteries in the correct direction, aligning the positive and negative terminals as indicated inside the battery compartment.

- (2) Position the bracket on the wall in the desired location for the remote control unit (see Remote control unit mounting location, page 2). Mark the positions of the mounting holes on the wall. Fasten the bracket to the wall, by drilling holes and using the fasteners appropriate for the wall material, as described below.

[Note]

- Leave enough space above the top of the remote control unit to allow the unit to be removed and replaced.

If mounted in plywood paneling 3/16" (5 mm) or greater in thickness:

Fasten the bracket to the wall with the mounting screws.

• Install the remote control within an easily accessible reach range for the user.

The remote control should be installed where the user can easily operate it while seated on the toilet. Use the diagram at the left as a guide for the location of the remote control.

In the event that the toilet does not operate, change the position of the remote control.

- * There is the possibility that the toilet unit would not operate because of a fluorescent light with inverter ballast or for other environmental reasons within the room.
- * If the signal cannot be received, establish the cause of the obstruction and remove it. Or, if it cannot be removed, change the installation position of the remote control.
- * When installing the remote control on the right side (when facing the toilet), install it within the range of "reference for easy operation" as far as possible.

• Make sure to check the operation while sitting on the toilet seat.

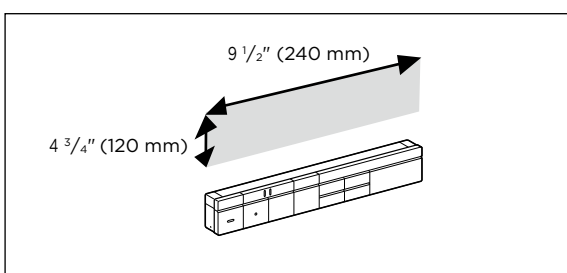
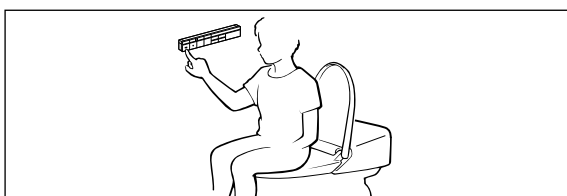
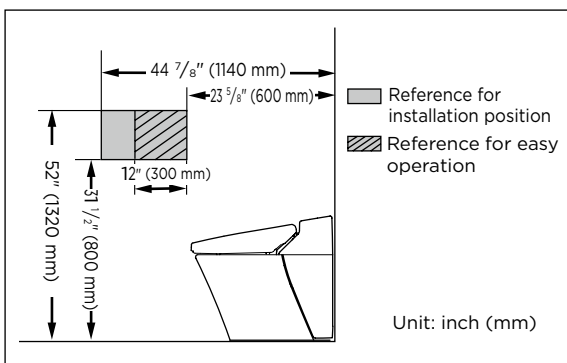
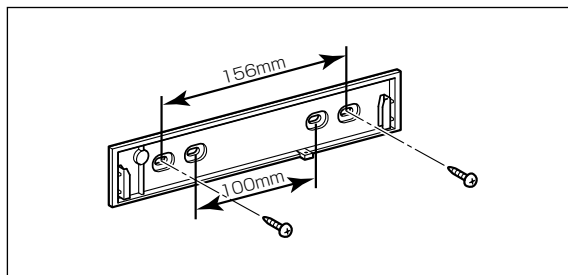
Place the remote control temporarily in the position to be installed and press the STOP button while actually sitting on the seat. (Make sure to perform the test operation after installation.)

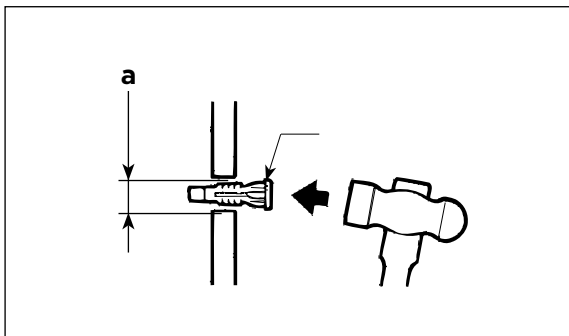
Then stand in front of the toilet bowl and press the STOP button. Check that there is a beep (normal signal reception sound) from the toilet unit.

- Do not press the buttons for front and rear cleansing. If pressed, water will be sprayed.
- Ensure there is enough space to attach or detach the remote control in the area immediately above the installation position.

[Note]

- Ensure there is enough space to attach or detach the remote control in the area immediately above the installation position.





If mounted either in plywood paneling 3/16" (5 mm) or less in thickness or in drywall:

- 1 In plywood paneling, drill a $\varnothing 1/2''$ pilot hole, in dry wall, drill a $\varnothing 3/16''$ pilot hole.
- 2 Using a hammer, tap the plastic anchors into the holes.

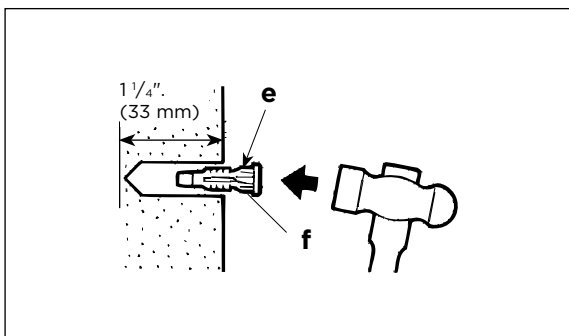
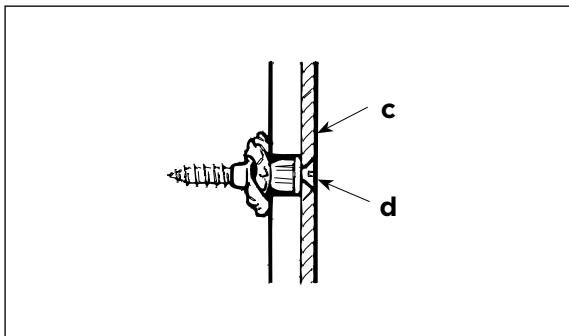
a Plywood paneling : $\varnothing 1/4''$ (6 mm)
 Drywall : $\varnothing 3/16''$ (5 mm)

b Plastic Anchor

- 3 Fasten the bracket securely to the anchors using mounting screws. As you tighten the screws, they are hard to turn at first, then gradually get easier to turn, and then are hard to turn again.

c Bracket

d Mounting Screw



If mounted on a tiled wall or in concrete:

- 1 Drill holes with a diameter of $1/4''$ (6 mm) and a depth of approximately $1-1/4''$ (33 mm).
- 2 Using a hammer, gently drive the plastic anchors into the holes.

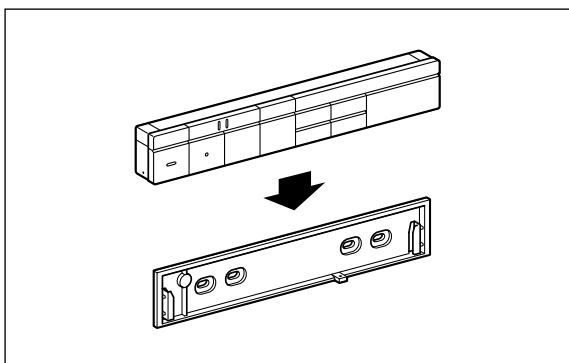
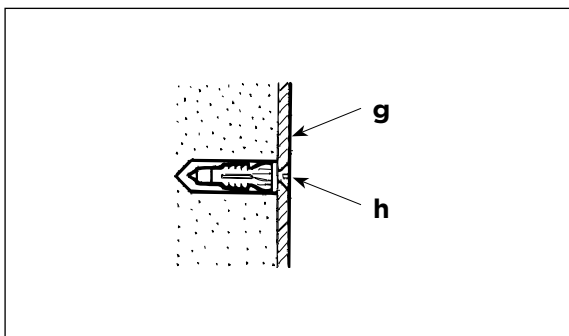
e Plastic Anchor

f $1/4''$ (6 mm)

- 3 Fasten the bracket securely to the anchors using mounting screws.

g Wall-mounted bracket

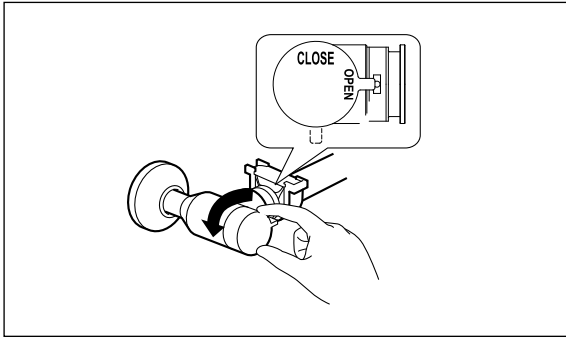
h Mounting Screw



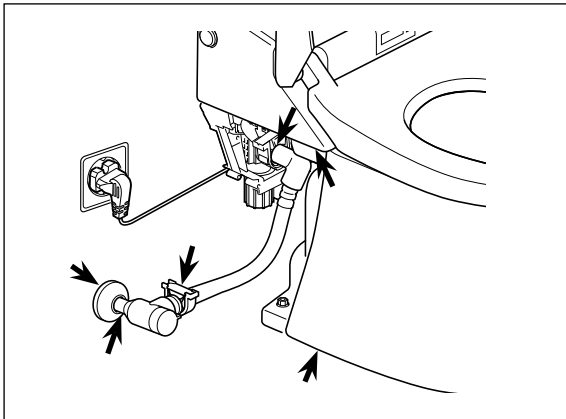
- (3) Align the remote control unit with the bracket and then push it down onto the bracket.

8

Check for Water Leakage



1. Fully open the water shutoff valve and let water flow into the product.



2. Check for water leakage.

- (1) Use the remote control to flush the toilet several times.
- (2) Check that there are no water leaks at the connection points.

[Note]

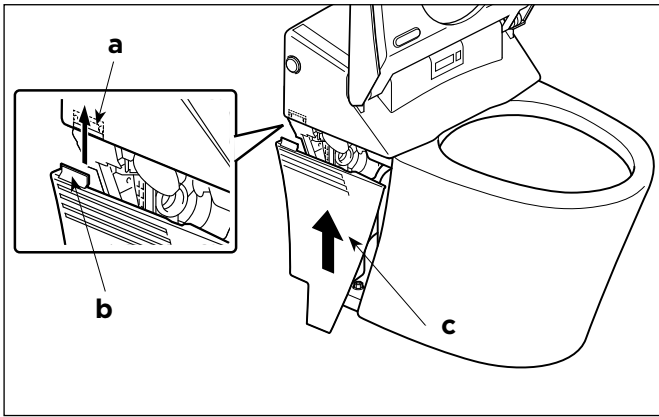
Water leakage at the supply/drain water connecting sections may not be observed unless the toilet is flushed several times.

3. Check the flushing operation.

- (1) Prepare 7 balls of toilet paper, and put these in the toilet bowl. For each ball, use about a 30" length of toilet paper.
- (2) Check that these are removed from the bowl in a single flush. If they are not removed with a single flush, verify that the water pressure is at least 14.5 psi (0.10 MPa).

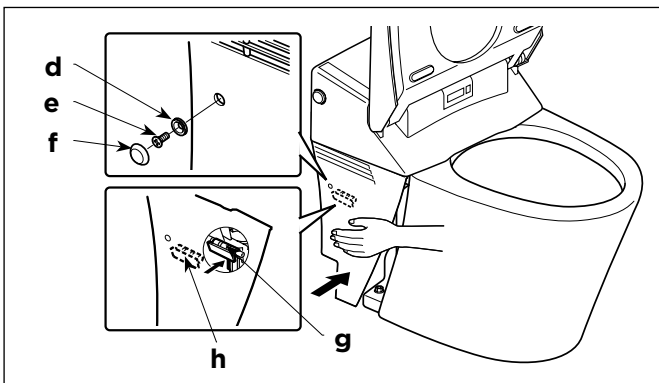
9

Attaching the Side Covers



- (1) Disconnect the power plug from the outlet.
- (2) Insert the "tab" at the top of the side cover into the "tab receiver" on the product, and push upwards until it is fully inserted.

- a** Tab receiver
- b** Tab
- c** Side cover

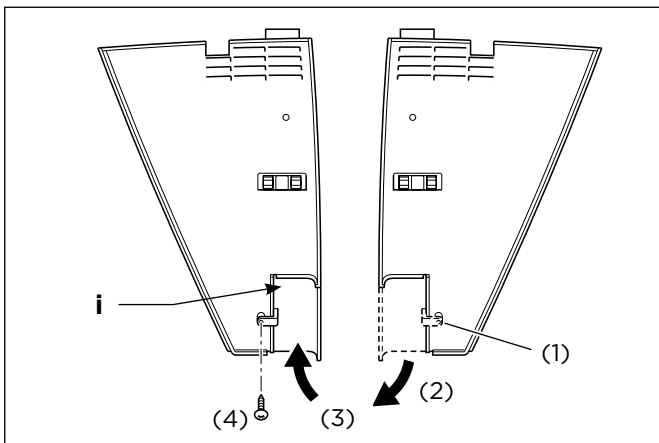


- (3) Push the bottom of the side cover so that the "clip" is fully inserted into the "clip support".
- (4) Secure the side cover using the flat head screw and the coupling washer, and then attach the cap.

- d** Coupling washer
- e** Flat head screw
- f** Cap

- (5) Check that the side cover is securely mounted.
- (6) Connect the power plug to the outlet.

- g** Clip support
- h** Clip



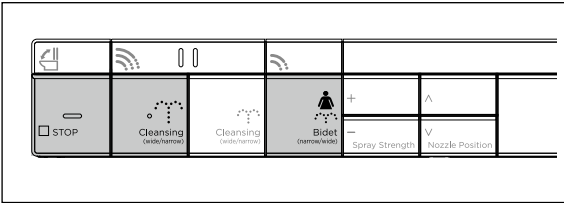
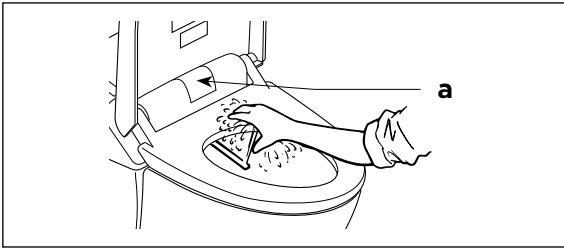
When the water shutoff valve is located on the right when facing the toilet:

- (1) Remove the screw on the back of the right side cover.
- (2) Remove the small cover panel from the right side cover.
 - * Remove in the direction indicated.
- (3) Attach the small cover panel to the left side cover.
 - * Insert in the direction indicated.
- (4) Insert the screw on the back of the left side cover to fasten the small cover panel.

- i** Small cover panel

10

Test Operation (Follow the steps below to conduct a test operation when installation is completed.)



1. Check rear cleansing.

- (1) Use a piece of toilet paper to cover the seat sensor.
- (2) Press [Cleansing] on the remote control. As the nozzle begins to spray, cover the nozzle tip with your hand to prevent water from splashing.
- (3) Press [STOP] on the remote control. The spray will stop.

a Seat sensor

[Note]

If the remote control is used under fluorescent light with inverter ballast, the shower toilet may not operate. This depends on the layout of the toilet. Please turn off this lighting and try again.

The product is equipped with a seat sensor that detects the user. In order for the spray features to operate, the user must be seated. When the toilet seat is occupied, water is emitted from around the nozzle as a preliminary operation.

2. Follow the same procedure to check the front cleansing feature.

Do not change settings of the comfort features.

• Leave the settings for the customer.

The comfort features of the shower toilet should be set according to the customer's preference. So contractors are requested not to set these. If some are set, the contractor should explain the details of them and the feature to the customer.

This is especially so with **the power save function** as the toilet seat may feel cold if the customer does not know of this.

The comfort features

These are the functions provided for the customers' comfort.

The major comfort features include the following:

- Toilet seat and water temperature control
- Deodorizer
- Power save
- Warm air temperature selection when drying starts
- Seat heater auto OFF

* Make sure to return the settings to the default position after the test operation. (Press the BIDET and POWER SAVE ON/OFF buttons simultaneously for two seconds.)

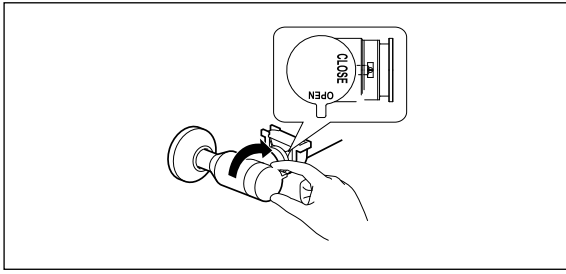
* Some functions may not be provided depending on model.

Check list

	Checked
■ Check for water leakage	
Between the water shutoff valve and the floor or wall	<input type="checkbox"/>
Between the water shutoff valve and the water supply line	<input type="checkbox"/>
Between the water shutoff valve and the water supply hose	<input type="checkbox"/>
Between the seat unit and the toilet bowl	<input type="checkbox"/>
Between the toilet bowl and the floor	<input type="checkbox"/>
■ Check remote control operation	<input type="checkbox"/>
■ Is the water shutoff valve fully open?	<input type="checkbox"/>

11

If the water does not flow well, clean the filter.

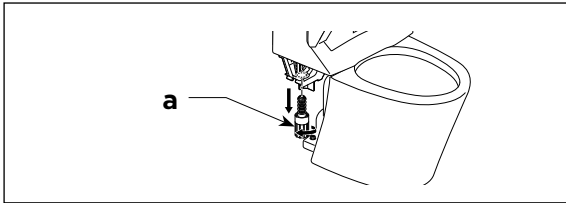


(1) Close the water shutoff valve to stop the water.

[Note]

Please do not remove the filter when the water supply valve is open.

* Water will leak from the filter.



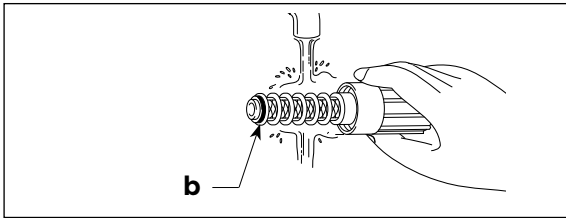
(2) Press [FULL], or press the flush button on the product

* Wait approximately 20 seconds.

(3) Disconnect the power plug from the outlet.

a Filter

(4) Remove the left side cover as seen from the front, place a cloth or something similar on the floor below, and remove the filter.



(5) Wash away any debris inside the filter, and from the O-ring.

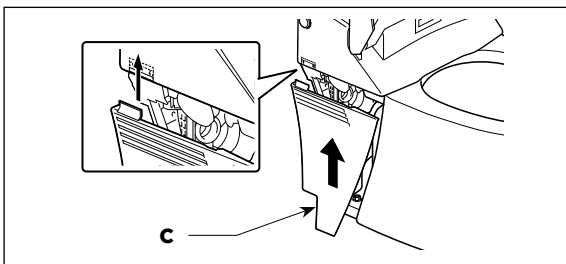
b O-ring

(6) Fully tighten the filter.

[Note]

When installing the filter inside the water shutoff valve, make sure that the water shutoff valve is tightened completely.

* If this is not tightened completely, then there may be leakage from the filter.



(7) Install the side cover.

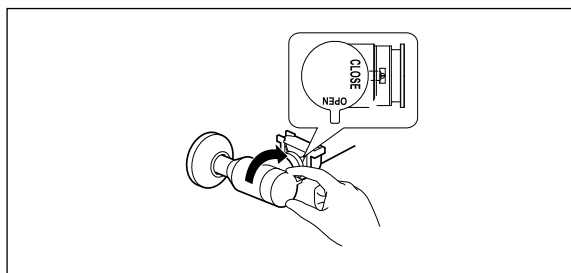
c Side cover

(8) Connect the power plug to the outlet.

(9) Open the water shutoff valve.

* If the water continues to not flow well, check the water supply pressure.

12 To prevent water from freezing inside this product, follow the procedure below to drain the water.

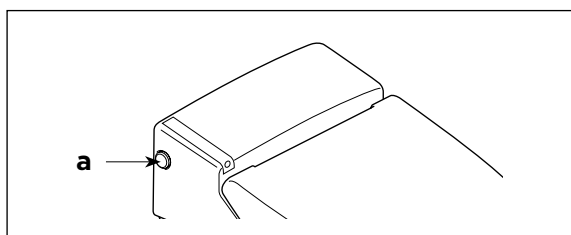


(1) Close the water shutoff valve to stop the water.

[Note]

Please do not remove the filter when the water supply valve is open.

* Water will leak from the filter.



(2) Press [FULL], or press the flush button on the product

* Wait approximately 20 seconds.

a Flush button

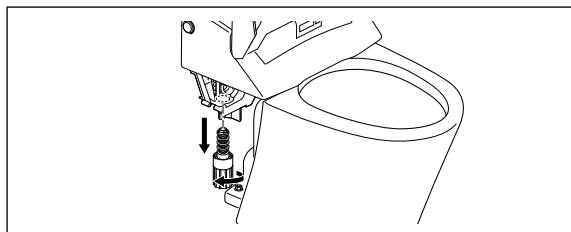
(3) Remove the left side cover (seen from the front), place a cloth or something similar on the floor below, remove the filter, and drain the water.

(4) Remove all remaining water from the product.

[Note]

<To drain water from the product>
On the remote control, press and hold down [NOZZLE CLEANING] and [MASSAGE] simultaneously for 2 seconds.

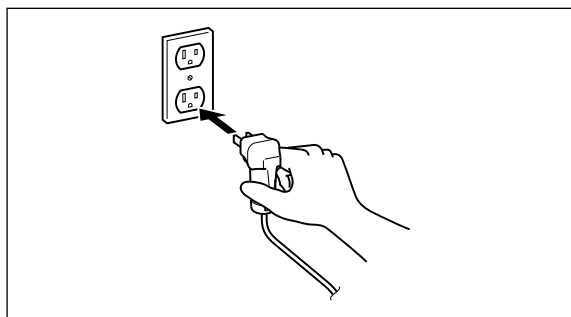
* Water will drain from the product for approximately 15 seconds.



(5) Wash away any debris inside the filter and from the O-ring.

(6) Fully tighten the filter.

(7) Install the side cover.



(8) Check for leakage from the water shutoff valve, and disconnect the power plug from the outlet.



In the United States

For residents of the United States, warranty information may also be obtained by calling the following toll free number: (800) 227-2734

In Canada

Toll Free: 1-800-387-0369
Local: 905-306-1093
Fax: 1-800-395-1498

In Mexico

Toll Free: 01-800-8391200