

# Action Machine Filters & Manifold Systems

Office: 801-292-9299

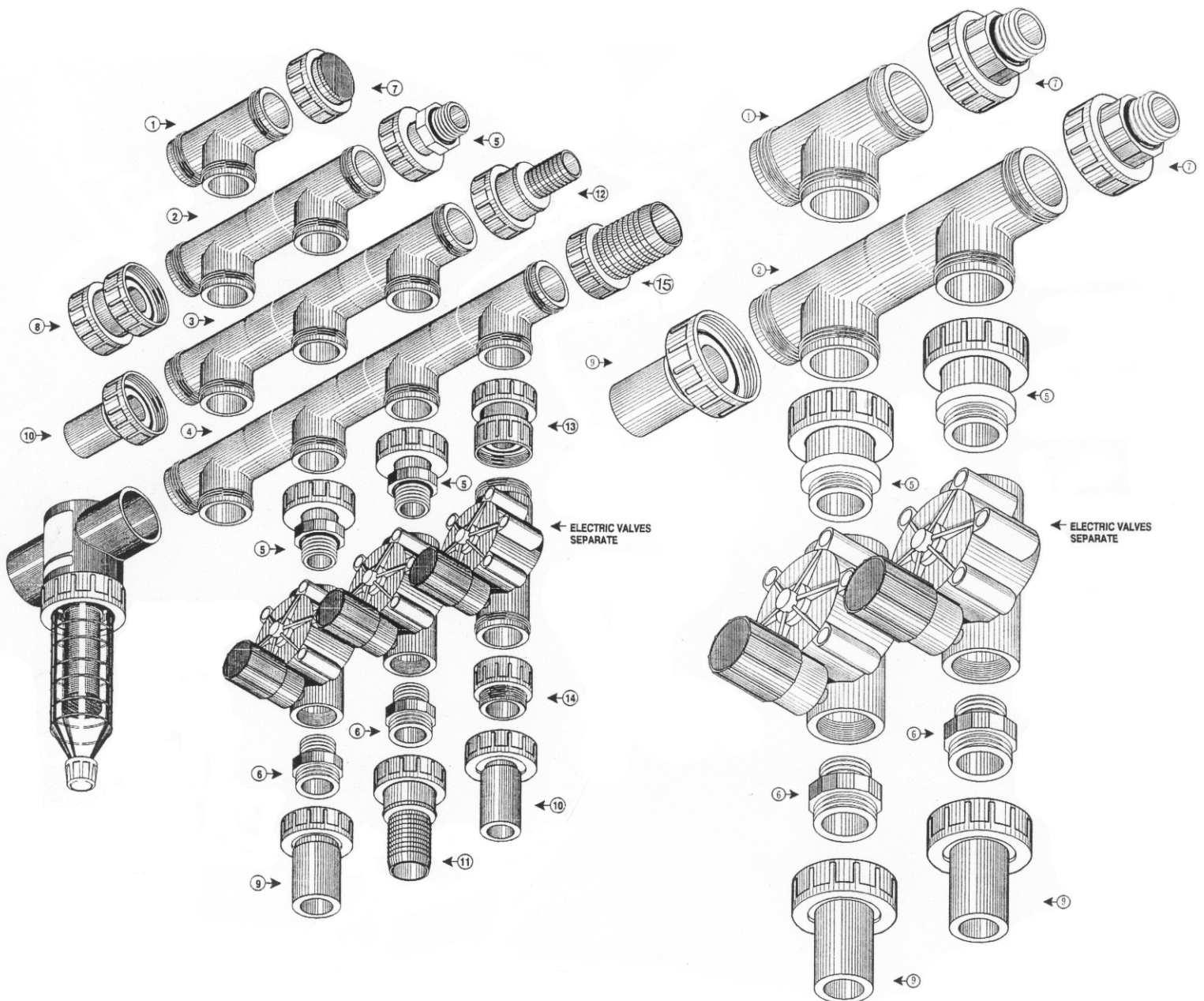
Fax: 801-292-9247

Effective 7-1-04

Web: [www.actionfilters.com](http://www.actionfilters.com)

*Commercial, Industrial, Residential, Agricultural & Turf*

## **1", 1½", & 2" Action Manifold Systems**



- Rated 235 max W.P. @ 73°F
- All parts are sch. 80 PVC
- O-ring sealed MIPT for tool-less installation and repair
- Buttress threads on manifold fittings for stronger seal

*Proudly Made in the USA*

Extra Heavy Duty Manifold System • Easy to assemble/repair new or existing systems  
 No hassle, no leaking, worry free sprinkling system operation

#	PART NUMBER	DESCRIPTION	BOX
1	18001	1" Single Manifold	25
1	18001-1.5	1½" Single Manifold	5
1	18001-2.0	2" Single Manifold	5
2	18002	1" Double Manifold	25
2	18002-1.5	1½" Double Manifold	5
2	18002-2.0	2" Double Manifold	5
3	18003	Triple Manifold (1" only)	10
4	18004	Quad. Manifold (1" only)	10
5	18010	1" Male Adapter	50
5	18010-1.5	1½" Male Adapter	12
5	18010-2.0	2" Male Adapter	12
	18010-.75	¾" Male Adapter x 1" Female Buttress nut	50
	18011-.75	¾" MIPT x 1" Buttress transition nipple	50
	18010-2015	1½" Male Adapter x 2" Female Buttress nut	12
	18011-2015	1½" MIPT x 2" Buttress transition nipple	12
6	18011	1" MIPT x Buttress transition nipple	50
6	18011-1.5	1½" MIPT x Buttress transition nipple	12
6	18011-2.0	2" MIPT x Buttress transition nipple	12
7	18000	1" Cap	50
7	18000-1.5	1½" Cap with 1" MIPT	12
7	18000-2.0	2" Cap with 1" MIPT	12
8	18120	1" Coupling	50
9	18012	1¼" Spigot x 1" Slip Adapter	50
9	18012-1.5	1½" Spigot x 1" Slip Adapter	12
9	18012-2.0	2" Spigot x 1½" Slip Adapter	12
10	18013	1" Spigot x ¾" Slip Adapter	50
11	18014	1" Insert Adapter	50
12	18015	¾" Insert Adapter	50
13	18016	1" Female Adapter	50
14	18017	1" FIPT x Buttress transition nipple	50
15	18018	1¼" Insert Adapter	50
	10100	Replacement 122 O-Ring	20
	10200	Replacement 218 O-Ring	20
	10300	Replacement 2.5 x 25 O-Ring	20
	15100	Replacement 227 O-Ring 1½" manifold	5
	20100	Replacement 227 O-Ring 2" manifold	5

Rated 235 max W.P. @ 73° F • All parts are sch. 80 PVC  
 O-ring sealed MIPT for tool-less installation and repair  
 Buttress threads on manifold fittings for stronger seal

*Proudly Made in the USA*