

FAUCET DESCRIPTION

- Metal construction with various finishes identified by suffix

OPERATION

- Lever style handle with temperature indicator on the escutcheon, pull-on/push-off operation
- Temperature operates through an 180° arc of handle travel (full cold to full hot)
- Adjustable temperature limit stop to control maximum hot water temperature
- Pressure balancing mechanism maintains selected discharge temperature to $\pm 2^\circ$

FLOW

- NH Suffix models contain no showerhead

CARTRIDGE

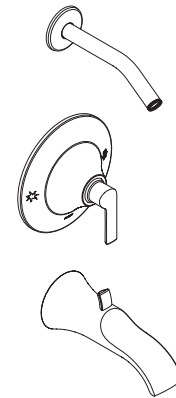
- 1225° cartridge design
- Nonmetallic/nonferrous and stainless steel materials
- Accommodates back to back installations

STANDARDS

- Third party certified to ASME A112.18.1/CSA B-125-1, and all applicable requirements referenced therein
- **ADA** ♿ for lever handle

WARRANTY

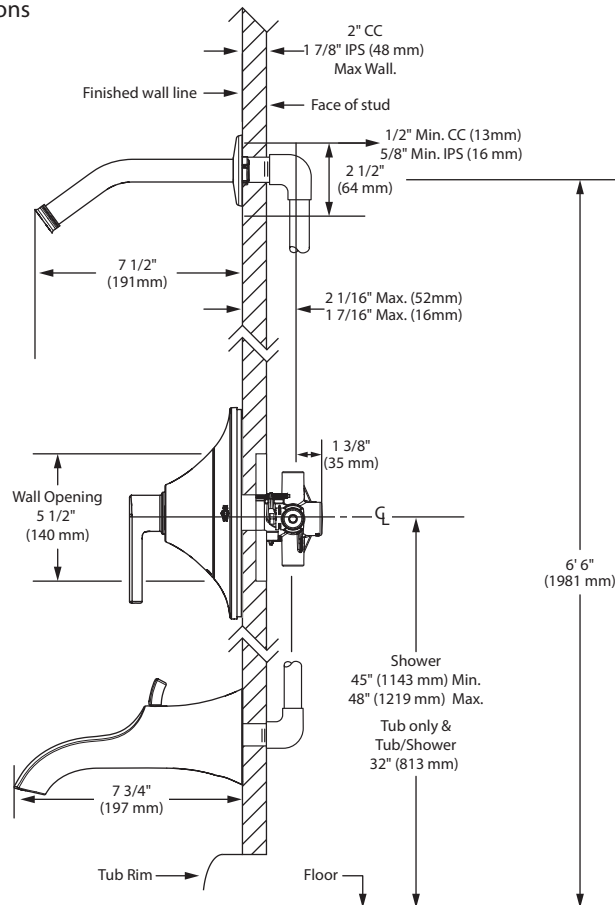
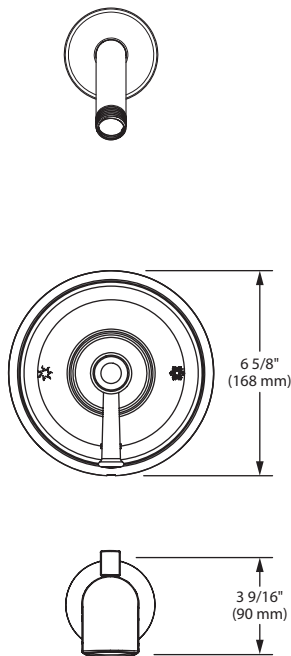
- Lifetime limited warranty against leaks, drips and finish defects to the original homeowner
 - 10 year limited warranty when used in a multifamily installation
 - 5 year limited warranty when used in a commercial installation
- Visit www.moen.com/support for complete details and limitations



DOUX™ MOENTROL® Single-Handle Tub/Shower Trim Only

Models: TS3201 series - valve only trim
TS3202NH series - shower only trim
TS3203NH series - tub/shower trim

Valves: 3510, 3520, 3570 Series



CRITICAL DIMENSIONS (DO NOT SCALE)

