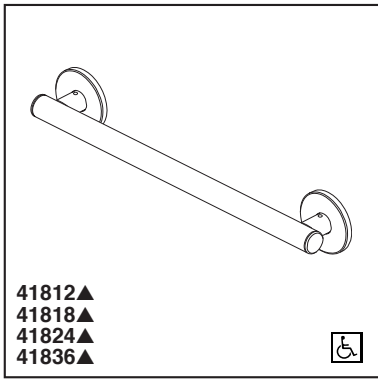




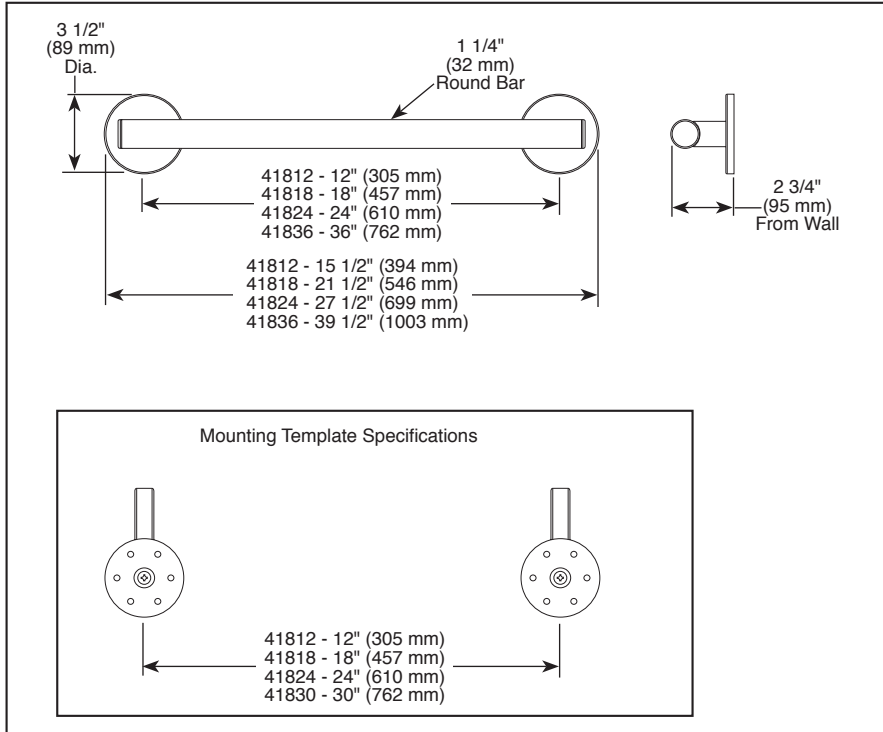
ACCESSORIES

- Contemporary Design
- Meets ADA Standards
- 12" Grab Bar
- 18" Grab Bar
- 24" Grab Bar
- 36" Grab Bar



Submitted Model No.: _____

Specific Features: _____



▲ Designate Proper Finish Suffix

STANDARD SPECIFICATIONS:

- Wood blocking is preferable behind all wall surfaces. If wood blocking is not available, the supplied fasteners are recommended.
- Mounting hardware and mounting template included with product.
- Decorative ADA compliant grab bar.

WARRANTY

- Lifetime Faucet and Finish Limited Warranty to the original consumer purchaser to be free from defects in material and workmanship.
- 5 Year Limited Warranty for usage in all industrial, commercial and business applications.

COMPLIES WITH:

Indicates compliance to ICC/ANSI A117.1



Liberty Hardware Manufacturing Corporation
140 Business Park Drive
Winston-Salem, NC 27107
800.542.3789
www.libertyhardware.com
© 2013 LHMC, A Masco Company

Delta reserves the right (1) to make changes in specifications and materials, and (2) to change or discontinue models, both without notice or obligation. Dimensions are for reference only. See current full-line price book or www.deltafaucet.com for finish options and product availability.