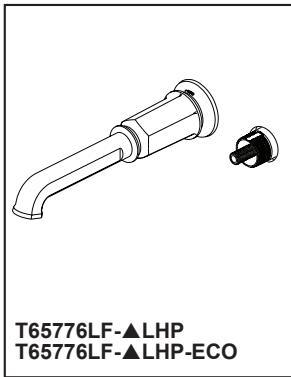


BRIZO®

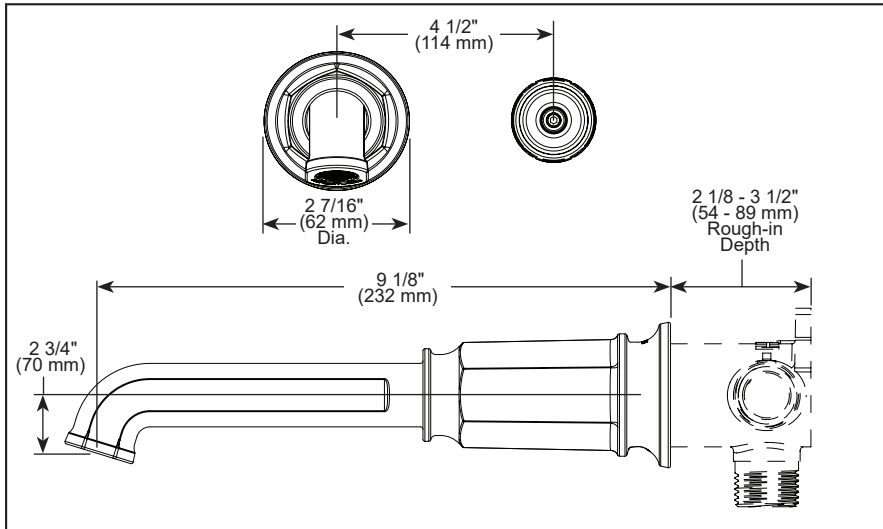
BATHROOM FAUCET

- Invari™ Collection
- Single Handle Two Hole Wall Mount



Submitted Model No.: _____

Specific Features: _____



STANDARD SPECIFICATIONS:

- Maximum 1.5 gpm @ 60 psi, 5.7 L/Min @ 414 kPa
- Maximum (ECO models only) 1.2 gpm @ 60 psi, 4.5 L/Min @ 414 kPa
- Control mechanism - 28 mm ceramic mixing cartridge with metal stem and 180° rotation
- Spout features water efficient laminar flow aerator
- Solid brass fabricated body
- Drain sold separately
- Rough-in R85800 required for installation, not included
- Optional 9 1/2" (241 mm) escutcheon - RP100323 (not included)
- Handles sold separately

WARRANTY

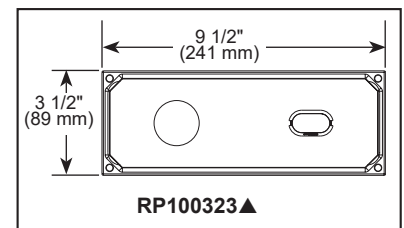
- Parts and Finish - Lifetime limited warranty; or for commercial purchasers, 10 years for multi-family residential (apartments and condominiums) and 5 years for all other commercial uses, in each case from the date of purchase.
- Electronic Parts and Batteries (if applicable) - 5 years from the date of purchase; or for commercial purchasers, 1 year from the date of purchase. No warranty is provided on batteries.



COMPLIES WITH:

- ASME A112.18.1 / CSA B125.1
- ASME A112.18.2 / CSA B125.2
- EPA WaterSense® - ECO model only
- Verified compliant with .25% weighted average Pb content regulations.

<p>HL5876▲ </p>	<p>HX5876▲ </p>	<p>HL5876▲ </p>
<p>RP72411▲ Grid Strainer Drain less overflow holes</p>	<p>RP72413▲ Push Button Drain less overflow holes</p>	<p>RP81627▲ Push Button Drain less overflow holes</p>
<p>RP72412▲ Grid Strainer Drain with overflow holes</p>	<p>RP72414▲ Push Button Drain with overflow holes</p>	<p>RP81628▲ Push Button Drain with overflow holes</p>



▲Designate Finish Suffix

Brizo reserves the right (1) to make changes in specifications and materials, and (2) to change or discontinue models, both without notice or obligation. Dimensions are for reference only. See current full-line price book or www.brizo.com for finish options and product availability.

Brizo Kitchen & Bath Company

55 E. 111th Street, Indianapolis, Indiana 46280
350 South Edgeware Road, St. Thomas, ON N5P 4L1
© 2019 Brizo Kitchen & Bath Company