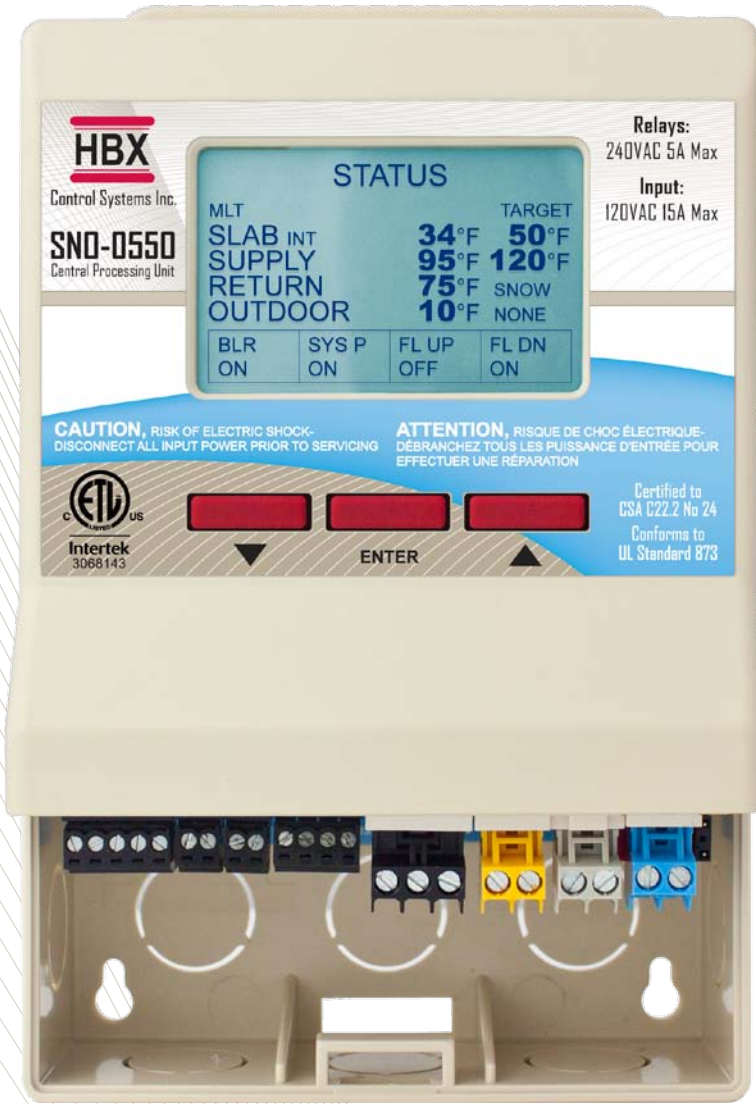




# Snow Melt Controls



## SNO-0550 | Snow Melt Control

Snow Melt Systems, Simplified

This unique standalone snow melt control uses a new step-by-step interface allowing for easy set up. The SNO-0550 is the latest control from HBX Control Systems to be added to the ThermoLinx™ Hydronic Network. With the ThermoLinx™ Wi-Fi Module connected to the SNO-0550, you can control your snow melt system from the palm of your hand.

With new preset snow conditions (Very Light, Light, Moderate, Heavy), it is simple to set the control to turn on the system based on snowfall intensity.

### Features

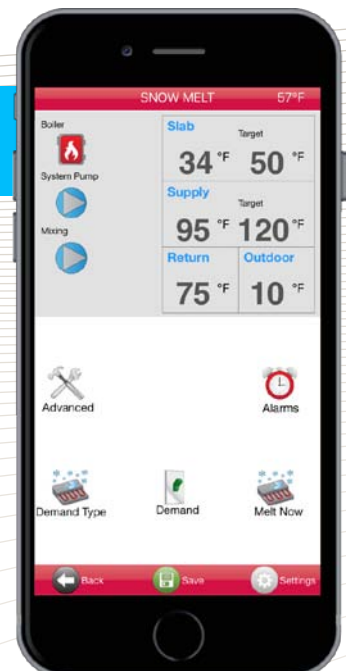
- Controls injection or mixing valve
- “Snowfall anticipation” setting
- Smart testing function
- Multi-color full graphic display
- Pre-set snowfall conditions
- WiFi enabled remote access via the HBX Zone App

## HBX Zone App | Remote Snow Melt System Control

WiFi Enabled Snow Melt Access

The free HBX Zone App for both Android™ and Apple® devices gives you complete control of your snow melt system with the ability to set snow fall rates, adjust/monitor targets, set slab demands, and the ability to turn on/off your snow melt system anytime, anywhere.

The HBX Zone App also allows you to control multiple locations and lets you know what equipment are on/off. The app gives you full control of all the settings on the SNO-0550, including design temperatures, slab and system setup.





# Snow Melt Controls



## SNO-0110 | Optical Snow Melt Sensor

Scratch-Resistant, Remote Mountable Optical Snow Sensor

The SNO-0110 snow melt sensor is unique to the hydronic industry. This sensor uses optics rather than the typical metal components to sense the presence of snow/ice.

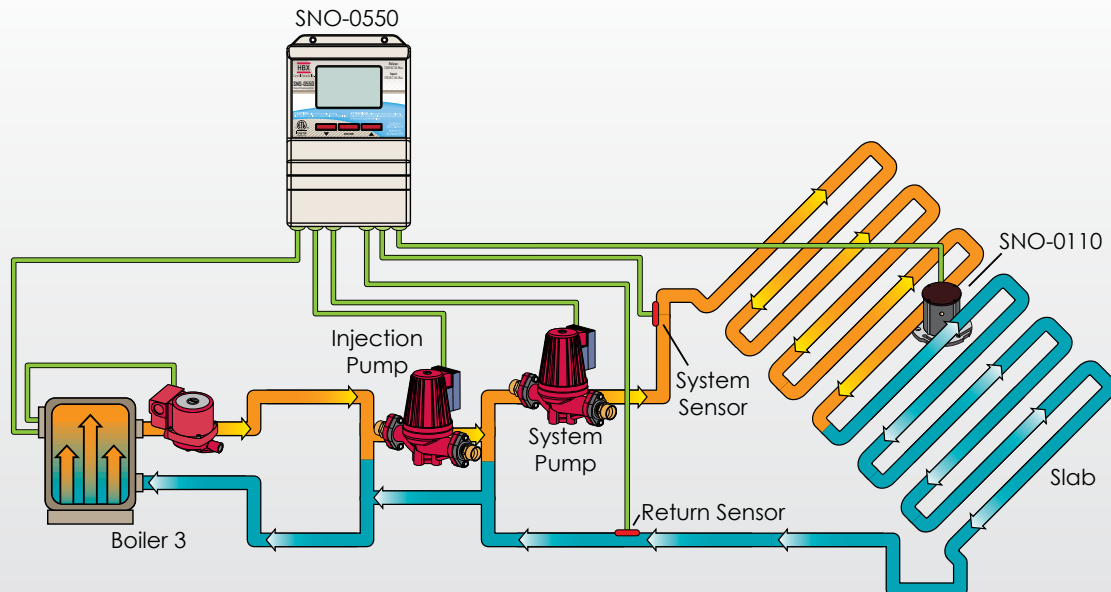
The sensor provides the SNO-0550 with information on snowfall intensity, and allows for multiple snowfall sensitivity settings, which can result in cost savings to the home owner. This sensor requires the SNO-0111 Sensor Enclosure in order to be installed in-slab (sold separately).

## Features

- Optical Snow Sensing Technology
- 100' Optical sensor (can be cut or extended to any length required)
- Scratch-resistant polymer cover
- Remote mountable design
- Leveling locations on sensor base

## Application Example

### Injection and System Pump with In-Slab Optical Sensing



# Product Listings

## Controls & Modules

Product Name	Description
CPU-0550*	Stand-alone Boiler Control
CPU-1000*	Boiler Control (expandable)
ECO-0550*	Stand-alone Geothermal Control
ECO-1000*	Geothermal Control (expandable)
EXP-0100°	Expansion Module (Additional Relays)
EXP-0300°	Expansion Module (Additional Contacts)
MOD-0100°	Modulating Module (Additional Mod. Boilers)
ORC-0100*	Outdoor Reset Control
TMX-0100	Wi-Fi™ Connectivity Module
WAV-0110	Wireless Outdoor Sensor
ZON-0500	Stand-alone/Expansion Module/Zone Control
ZON-0550	Wi-Fi™ Enabled Zone Control

## Snow Controls & Modules

Product Name	Description
SNO-0550*	Stand-alone Snowmelt Control (WiFi)
SNO-0110	Snowmelt Sensor & 100' Cable
SNO-0111	Snow Socket & DUD Sensor

## Solar Controls

Product Name	Description
SOL-0100	Solar Mixing Control
SOL-0300	Replacement Pump Head

### \* Marked Controls include:

Universal Sensors (x2) (029-0022), Remote Outdoor sensor (x1) (OUT-0100), Terminal Screwdriver (2.5mm), Cable ties (x2), Manual (x1)

### ° Marked Controls Include

Universal Sensors (x1) (029-0022), 32-Pin Connector (x1), Terminal Screwdriver (2.5mm)

### Δ Marked Controls Include

Universal Sensor (x1) (029-0045)

## Thermostats

Product Name	Description
THM-0100 Δ	Non-Programmable Thermostat
THM-0200 Δ	Programmable Thermostat
THM-0300 Δ	Wi-Fi™ Zoning System Thermostat
THM-0500 Δ	WiFi Zoning Touch Screen Thermostat
THM-0550 Δ	WiFi Zoning Touch Screen Thermostat with Humidity/Dewpoint control.

## Sensors & Accessories

Product Name	Description
OUT-0100	Outdoor/Indoor Sensor
029-0022	Universal Sensor (Brass)
029-0032	Universal Sensor (Stainless)
029-0045	10' Universal Sensor (Stainless)
033-0037	32-PIN Connector
CAB-0150	Thermolinx Direct Connect Cable
REL-2024	DPDT Relay 24V COIL10A
REL-2120	DPDT Relay 120V COIL10A
REL-2000	DPDT Relay Socket
REL-4024	4PDT Relay 24V COIL5A
REL-4120	4PDT Relay 120V COIL5A
REL-4000	4PDT Relay Socket