

ELKAY[®]

SPECIFICATIONS

Gourmet Celebrity[®] Hospitality Sink and Sink Package Models BCR15 and BCRA150C

GENERAL

Sink bowl is seamlessly formed of #20 gauge, type 304 (18-8) nickel bearing stainless steel. Top Mount.

DESIGN FEATURES

Bowl Depth: 6-1/8". (79mm)

Coved Corners: 2-1/4"(57mm) vertical and horizontal radius.

Bowl and Faucet Deck Recess: 3/16"(5mm) total recess below outside edge of sink.

Finish: Exposed surfaces are machine polished to a brushed satin finish.

Underside: Fully undercoated to dampen sound and prevent condensation.

SINK PACKAGE

BCRA150C Package includes:

(1) **BCR15** sink.

(1) **LKA2475LF** gooseneck faucet. Overall height 7-9/16".(192mm)

(1) **LK58** drain with basket strainer.

OTHER

Drain opening: 2" (51mm).

Sink complies with ASME A112.19.3/ CSA B45.4



Sinks are listed by IAPMO[®] as meeting the applicable requirements of the Uniform Plumbing Code[®], International Plumbing Code[®], and National Plumbing Code of Canada.



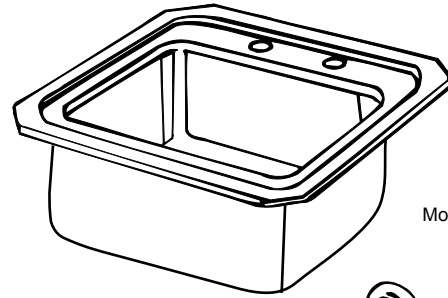
These sinks are compliant to ADA and ANSI/ICC A117.1 accessibility requirements when installed according to the requirements outlined in these standards.

- ANSI/NSF 61 - Certified
- ASME A112.18.1/CSA B125.1

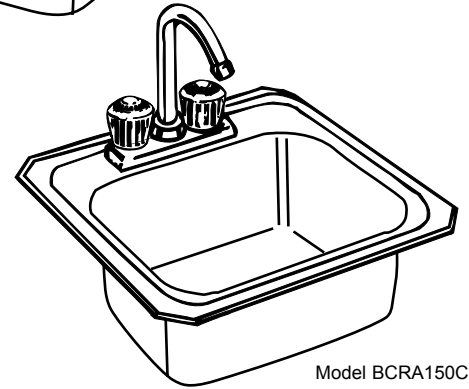
SINK DIMENSIONS (INCHES)*

Model Number	Overall		Inside Bowl			Cutout in Countertop (1-1/2"(38mm) Radius Corners)		No. of 1 1/4" (32mm) or 1 1/2" (38mm) Dia. Faucet Holes 4" (102mm) centers	Minimum Cabinet Size
	L	W	L	W	D	L	W		
BCRA150C	15 (381mm)	15 (381mm)	12 (305mm)	10 (254mm)	6 1/8" (156mm)	14 3/8" (365mm)	14 3/8" (365mm)	2	18 (457mm)
BCR15	15 (381mm)	15 (381mm)	12 (305mm)	10 (254mm)	6 1/8" (156mm)	14 3/8" (365mm)	14 3/8" (365mm)	1, 2, MR2 or 3	18 (457mm)

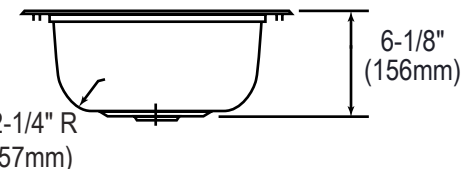
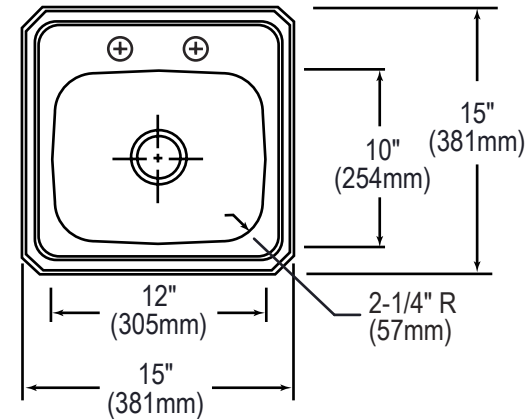
* Length is left to right. Width is front to back.



Model BCR152

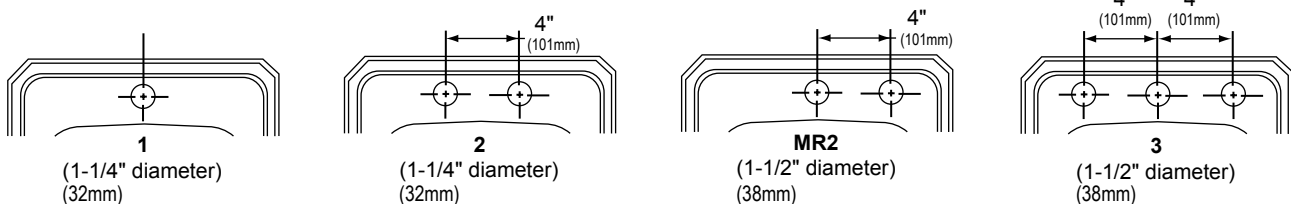


Model BCRA150C



Model BCR152 Illustrated

HOLE DRILLING CONFIGURATIONS



In keeping with our policy of continuing product improvement, Elkay reserves the right to change product specifications without notice. Please visit elkay.com for the most current version of Elkay product specification sheets.

This specification describes an Elkay product with design, quality, and functional benefits to the user. When making a comparison of other producers' offerings, be certain these features are not overlooked.