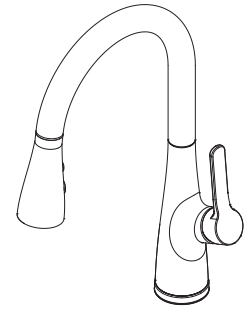


- LG529-NEB Finish(B)
- LG529-NEBG Finish(BG)
- LG529-NEC Finish(C)
- LG529-NES Finish(S)



Specifications

Features

- 1.8 GPM Flow Rate
 - 1-Hole Installation
 - 3 Function Sprayer (Stream, Spray, and Pause)
 - 16" Extended Hose Length
 - 360° Rotating Spout
 - AccuDock™ Sprayhead Docking
 - Mounting Hardware Included
- Optional Deckplate Available, Order 961-201* Separately
 - Forward Handle Operation
 - Pfast Connect
 - Pforever Seal Ceramic Disc Valve
 - Pforever Warranty®

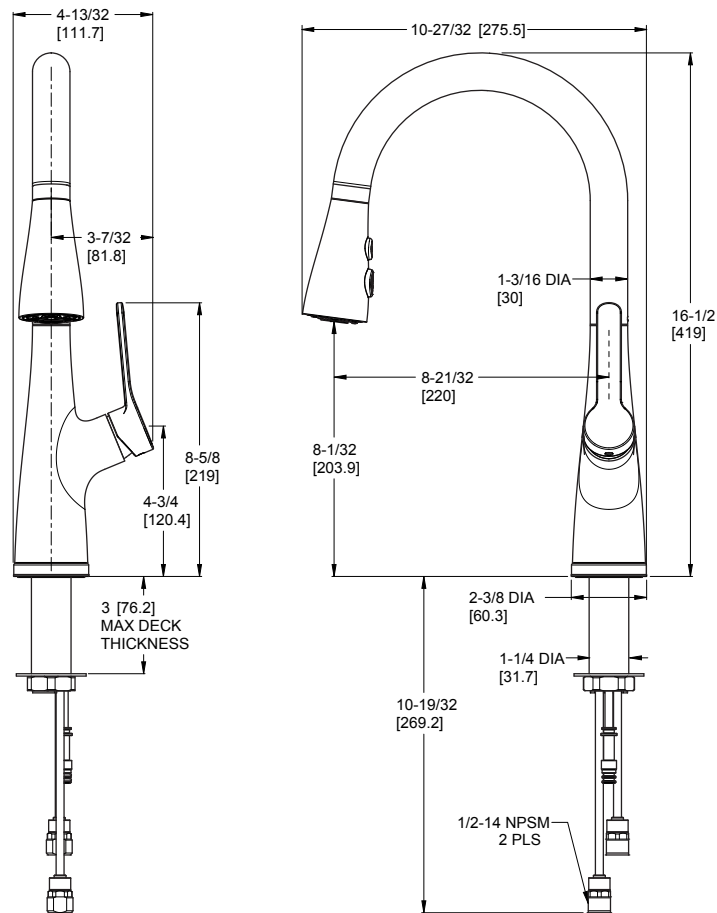
Code Compliance

Pfister products are designed and manufactured in compliance with the following standards and codes:

- IAPMO Certified
- CSA B125 Certified
- ASME A112.18.1
- CAL Green Compliant
- CEC Compliant
- ADA Compliant-ANSI A117.1



Dimensions



Ø1-3/8 Min to Ø1-1/2 Max. Deck Hole Openings