



CONTEMPORARY HAND WASH BASIN

GW Series

MODEL GWJ84

Wash-N-Go!™

BARRIER FREE, PEDESTAL MOUNTED
HAND WASH BASIN

STANDARD FEATURES

- ADA Compliant (when properly installed)
- Resistant to sunlight, heat, moisture and wear
- 16 gage, type 304 stainless steel bowl
- 12 gage, heavy duty stainless steel, corrosion and scratch resistant finish
- Hands Free Sensor Faucet or Hand Operation
- 100 mesh inlet strainer
- Access door, heavy duty stainless steel, vandal resistant
- Vandal resistant stainless steel bottom plate

SUGGESTED SPECIFICATIONS

Model GWJ84 series barrier free pedestal mounted, vandal resistant round Hand Wash made from 16 gage type 304 stainless steel bowl mounted into a 12 gage, heavy duty stainless steel support arm with powder coated or stainless steel finish. Unit shall be activated by a 9 Volt DC Hands Free Sensor Operated Battery Faucet with 0.5 GPM Laminar flow outlet to minimize splash (specify faucet operation). Hand wash to comply with ANSI A117.1, Public Law 111-380 (NO-LEAD), CHSC 116875. Fixture to meet ADA requirements.

MODEL:

(Must Specify)

- GWJ84 Satin stainless finish
- GWJ85 Green powder-coated (Shown)
- GWJ86 Red powder-coated
- GWJ87 Blue powder-coated

Custom color finishes available upon request.



Model GWJ85-SO Shown

OPERATION:

(Must Specify)

- SO-BAT Sensor operation, Battery powered faucet
- SO Sensor operation faucet, Plug-In transformer
- H Slow self closing metering faucet

OPTIONAL ACCESSORIES:

(additional costs may be incurred)

- CH31 Child height, 31" Rim height
- FS Foot shower ¹
- GW000-SH Pump Soap Holder
- HB1 Hose bibb, compression, hose threaded outlet/VB ¹
- HB2 Hose bibb, loose key, hose threaded outlet / VB ¹
- HB3 Hose bibb, loose key, vandal resistant, with hose threaded outlet and vacuum breaker ¹
- IAP In-ground anchor plate ¹
- IGM In-ground 14" mounting
- JF1 Jug filler, spigot, self-closing valve, plain end ¹
- JF2 Jug filler, pushbutton, self-closing valve, plain end ¹
- LOGO Customer specified logo
- PF Pet fountain receptor ¹

Contact factory for freeze resistant models.

Options Notes:

¹ See separate option sheet.

Complies with the following standards:



Member of U.S. Green Building Council



Recyclable Product



Water Conserving Product

⚠ WARNING: Cancer and Reproductive Harm - www.P65Warnings.ca.gov

MURDOCK MFG. • 15125 Proctor Avenue • City of Industry, CA 91746 USA
Phone 800-453-7465 or 626-333-2543 • Fax 626-855-4860 • www.murdockmfg.com

Member of MORRIS GROUP INTERNATIONAL

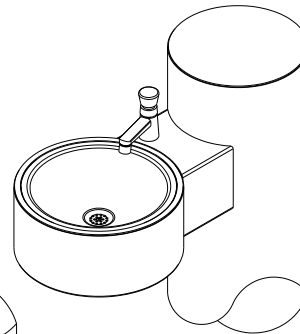
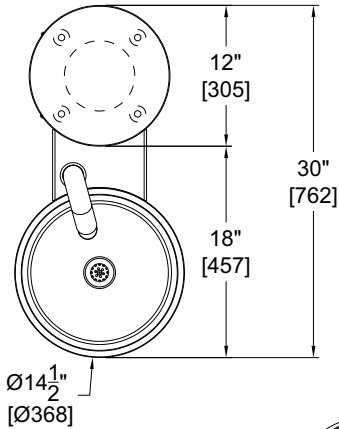


CONTEMPORARY HAND WASH BASIN

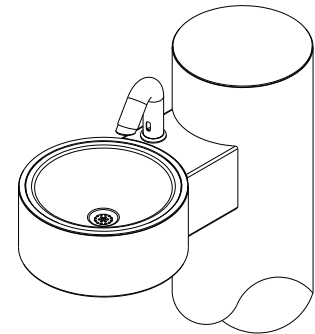
GW Series MODEL GWJ84

PEDESTAL HAND WASH BASIN

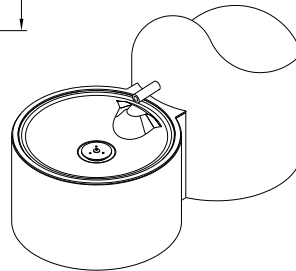
* Valve specifications:
Minimum/Maximum Pressure
30 to 100 psi.



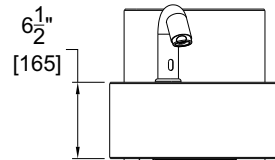
GWJ84-H



GWJ84-SO



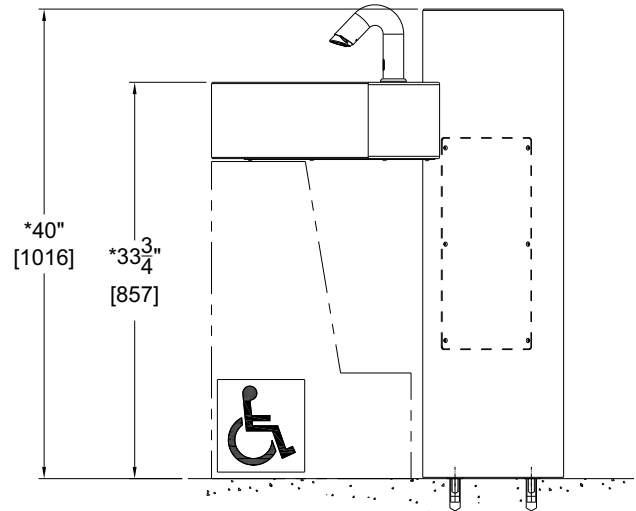
**OPTIONAL -PF PET
FOUNTAIN
DETAIL**



ACCESS
PANEL

GENERAL NOTES:

1. ALL DIMENSIONS ARE IN INCHES []
2. DIMENSIONS SHOWN ARE FOR RECOMMENDED ADULT HEIGHT. ADJUST VERTICAL DIMENSIONS AS NECESSARY TO COMPLY WITH FEDERAL, STATE & LOCAL CODES.



FLOOR ANCHORS
BY OTHERS

Murdock Mfg.™ warrants that its products are free from defects in material or workmanship under normal use and service for a period of one year from date of shipment. Murdock's liability under this warranty shall be discharged solely by replacement or repair of defective material, provided Murdock™ is notified in writing within one year from date of shipment, F.O.B. Industry, California.

**SELECTION SUMMARY
& APPROVAL FOR
MANUFACTURING**

Model Number & Options _____ Quantity _____

Company _____

Contact _____ Title _____

Signature (Approval for Manufacturing) _____ Date _____

All dimensions are subject to manufactures tolerance of plus or minus 1/2" nominal and subject to change without notice. Murdock assumes no responsibility for use of void or superseded data. Dimensions may change with the addition of optional accessories. Murdock Mfg.™, Member of Morris Group International™. Please visit www.murdockmfg.com for most current specifications.