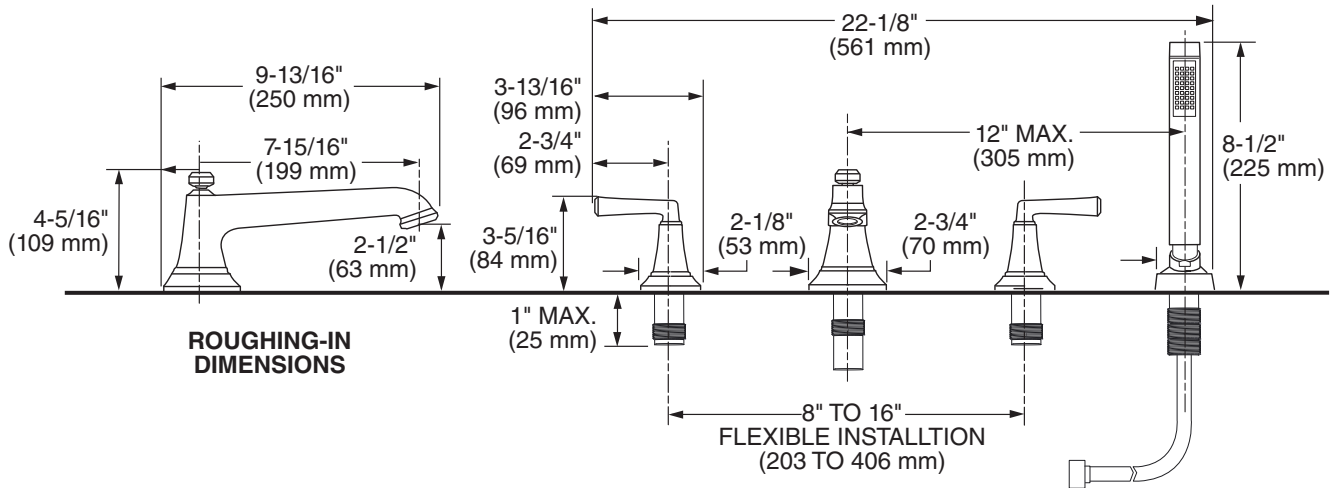


MODEL NUMBER:

- ❑ T455900 Roman Tub Filler Trim
LESS Personal Shower
- ❑ T455901 Roman Tub Filler Trim
WITH Personal Shower

For use with Flash™ rough valves

- ❑ R900 Flash™ Roman Tub Filler
Rough Body – Less Personal Shower
- ❑ R910 Flash Roman Tub Filler
Rough Body – WITH Personal Shower



GENERAL DESCRIPTION:

Installs with Flash Rough valve platform. Washerless 1/4 turn ceramic disc valve cartridges. Durable brass spout. Metal lever handles. Trim kit provides an additional 1" installation adjustability for finished deck.

PRODUCT FEATURES:

Brass Construction: Durable. Ideal for prolonged contact with water.

Ceramic Disc Valve Cartridge: Assures a lifetime of drip-free performance.

SUGGESTED SPECIFICATION

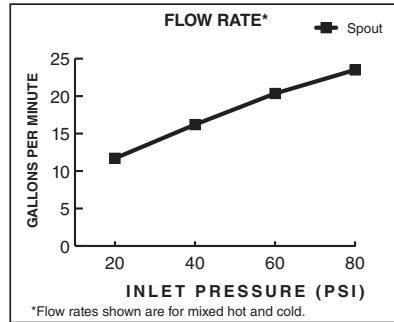
Two handle deck-mount tub filler shall feature cast brass construction. Shall also feature 1/4 turn washerless ceramic disc valve cartridges. Fitting shall be American Standard Model # T45590_.....

CODES AND STANDARDS

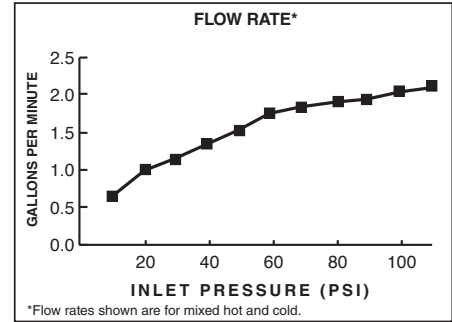
These products meet or exceed the following codes and standards:

ASME A112.18.1
CSA B125.1

Check local plumbing codes.
Some installations may require a vacuum breaker.



TUB SPOUT FLOW



HAND SHOWER FLOW

Product Number	Description		Finish Options					
			Polished Chrome	Brushed Nickel	Polished Nickel	Legacy Bronze	Brushed Cool Sunrise	Matte Black
			002	295	013	278	GN0	243
T455900	Roman Tub Filler Trim LESS Personal Shower.	ADA	✓	✓	✓	✓	✓	✓
T455901	Roman Tub Filler Trim WITH Personal Shower.	CEC	✓	✓	✓	✓	✓	✓

Meets CSA B651 Barrier Free code. Check local codes.

Meets the American Disabilities Act Guidelines and ANSI A117.1 Requirements for the physically challenged.

