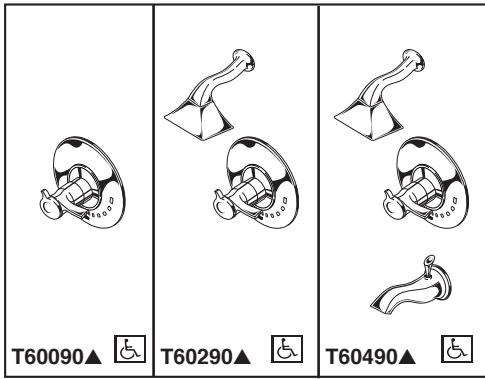


BRIZO®

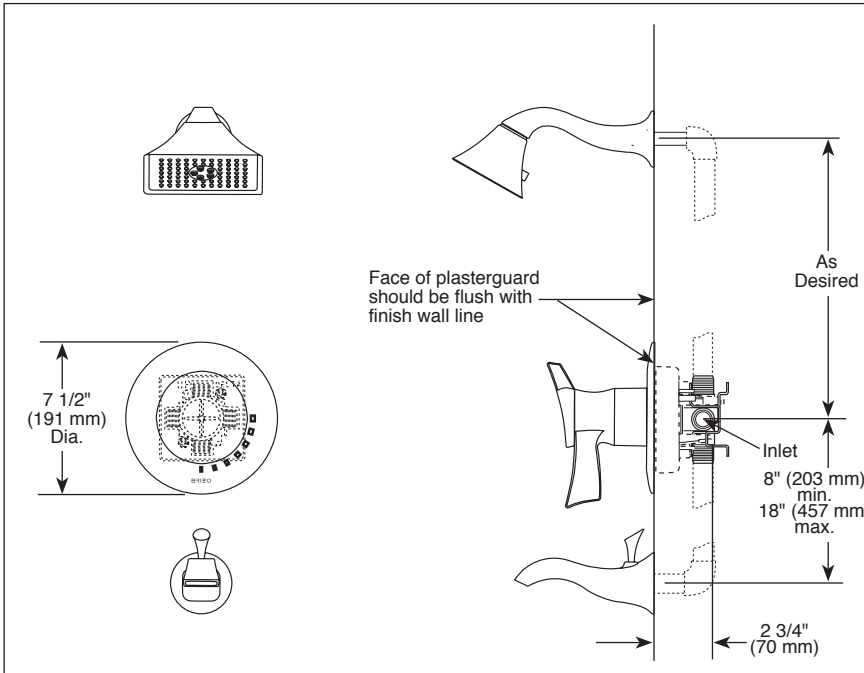
TUB AND SHOWER FAUCET TRIM

- RSVP® Bath Collection
- TempAssure® Thermostatic
- Valve Only (T60090)
- Shower Only (T60290)
- Tub/Shower (T60490)



Submitted Model No.: _____

Specific Features: _____



STANDARD SPECIFICATIONS:

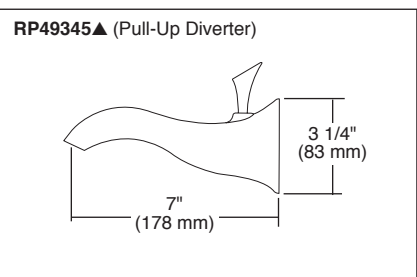
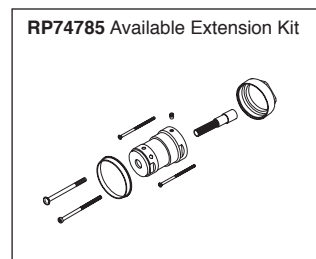
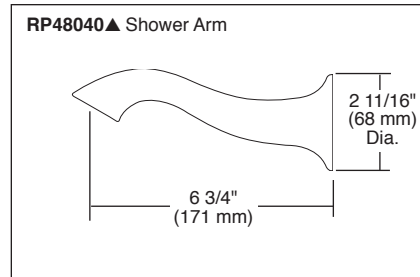
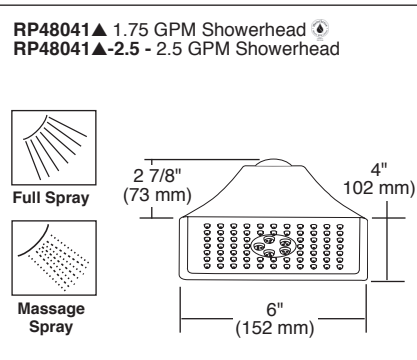
- TempAssure® thermostatic valve cartridge.
- Thermostatic wax element maintains the outlet temperature to $\pm 3.6^\circ\text{F}$.
- Must also order MultiChoice® Universal rough valve body (R60000 Series).
- Back-to-back installation capability.
- Lever volume control handle; temperature adjustment lever.
- Graphics indicate hot/cold temperature adjustment.
- Field adjustable to limit handle rotation into hot water zone.
- All parts replaceable from the front of the valve.
- Adjusts for up to 1" wall thickness.
- Rub clean nubs on showerhead.
- Tool for showerhead to showerarm assembly provided.
- Two function push button showerhead.
- Decorative, cast brass showerarm and tub spout.
- Multi-function showerhead - 1.75 gpm @ 80 psi, 6.6 L/min @ 550 kPa (RP48041), 2.5 gpm @ 80 psi, 9.5 L/min @ 550 kPa (RP48041-2.5) sold with T60290 and T60490.

WARRANTY

- Lifetime limited warranty on parts (other than electronic parts and batteries) and finishes: or, for commercial users, for 5 years from date of purchase.
- 5 year limited warranty on electronic parts (other than batteries); or, for commercial users, for 1 year from the date of purchase. No warranty is provided on batteries.

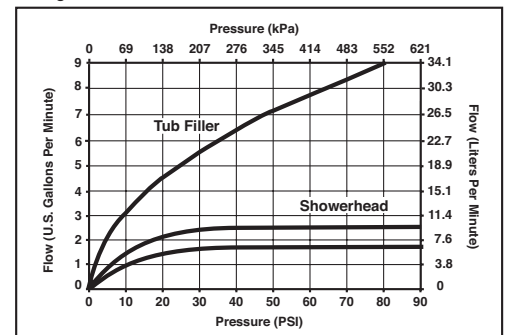
COMPLIES WITH:

- ASME A112.18.1 / CSA B125.1
- ASSE 1016
- ICC/ANSI A117.1 - Valve control only
- EPA WaterSense®



▲ Designate proper finish suffix

Using R60000-UNBX:



For additional flow rate information reference the Brizo price book.

Brizo Kitchen & Bath Company

55 E. 111th Street, Indianapolis, Indiana 46280
 350 South Edgeview Road, St. Thomas, ON N5P 4L1
 © 2017 Brizo Kitchen & Bath Company

Delta reserves the right (1) to make changes in specifications and materials, and (2) to change or discontinue models, both without notice or obligation. Dimensions are for reference only. See current full-line price book or www.brizo.com for finish options and product availability.