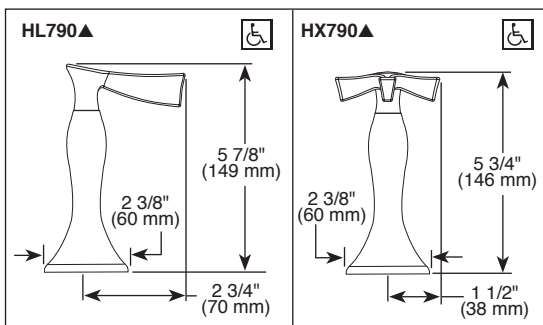
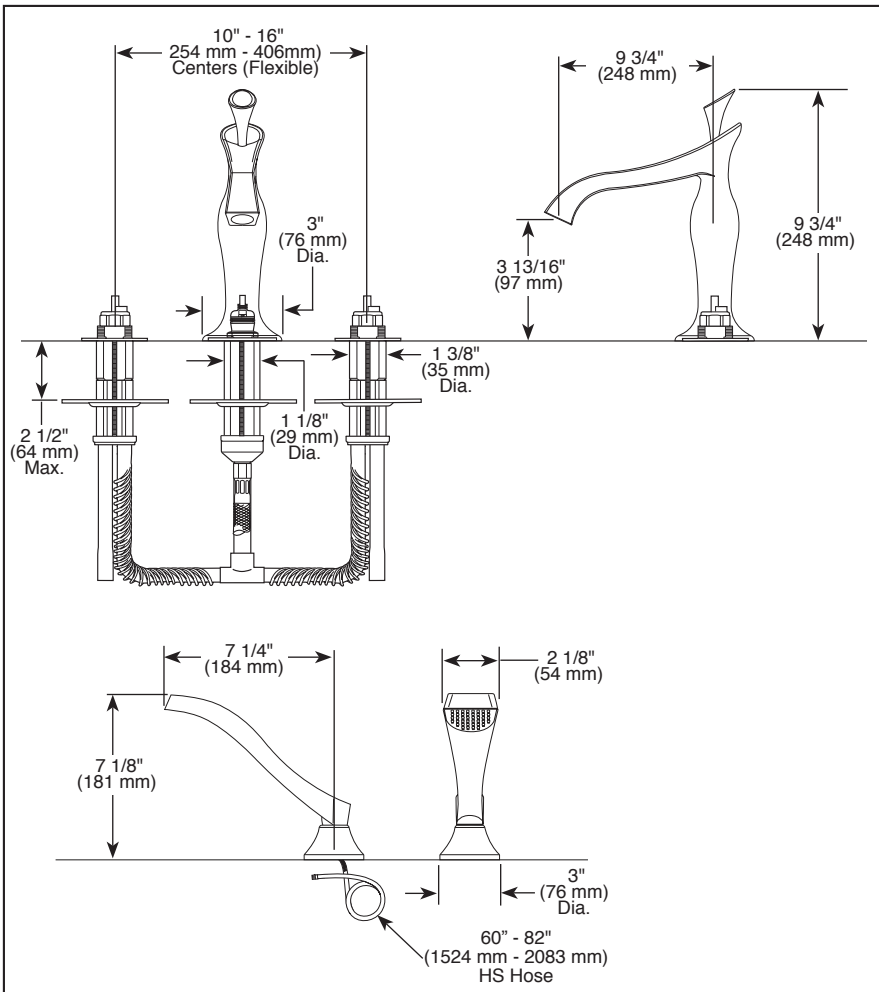


Submitted Model No.: \_\_\_\_\_

Specific Features: \_\_\_\_\_



▲ Designate Proper Finish Suffix

# BRIZO®

## ROMAN TUB/WHIRLPOOL FAUCET TRIM

- RSVP® Two Handle Roman Tub Valve Trim
- Three Hole Applications (T67390-LHP)
- Four Hole Applications (T67490-LHP)
- Temperature and Volume Controlled With Handles
- Flexible Ledge Mount
- Rough-In Kit Must Also be Ordered to Complete Installation (R62707 For Three Hole and R64707 For Four Hole)

### STANDARD SPECIFICATIONS:

- Trim Only for two handle Roman Tub faucet for concealed mounting
- Temperature and volume controlled with handles
- Rough-in kit must also be ordered to complete installation (R62707 for three hole and R64707 for four hole). There are separate specification sheets on each rough-in kit if more details are required.
- Handshower includes double check valves for backflow prevention (T67490-LHP)
- Handshower max. 1.75 gpm @ 80 psi, 6.6 L/min @ 550 kPa
- Minimum 5" (127 mm) to maximum 8" (203 mm) distance between holes
- LHP - Less Handle Program. See handle options below

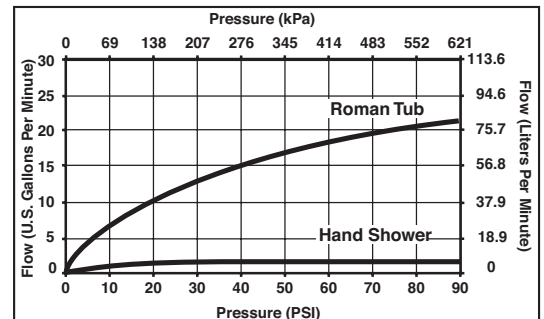
### WARRANTY

- Parts and Finish - Lifetime limited warranty; or for commercial purchasers, 10 years for multi-family residential (apartments and condominiums) and 5 years for all other commercial uses, in each case from the date of purchase.
- Electronic Parts and Batteries (if applicable) - 5 years from the date of purchase; or for commercial purchasers, 1 year from the date of purchase. No warranty is provided on batteries.



### COMPLIES WITH:

- ASME A112.18.1 / CSA B125.1
- Indicates compliance to ICC/ANSI A117.1- Valve control only
- EPA WaterSense - Applies to handshower only - RP48429\*



Brizo Kitchen & Bath Company reserves the right (1) to make changes in specifications and materials, and (2) to change or discontinue models, both without notice or obligation. Dimensions are for reference only. See current full-line price book or [www.brizo.com](http://www.brizo.com) for finish options and product availability.

BSP-B-T67390-LHP Rev. G

**Brizo Kitchen & Bath Company**  
 55 E. 111th Street, Indianapolis, IN 46280  
 350 South Edgeware Road, St. Thomas, ON N5P 4L1  
 © 2019 Brizo Kitchen & Bath Company