



MULTI⁺ULTRA



PARTS MANUAL

Outdoor Unit

MODELS:

MULTIU18HP230V1DO
MULTIU24HP230V1DO
MULTIU36HP230V1DO
MULTIU42HP230V1DO

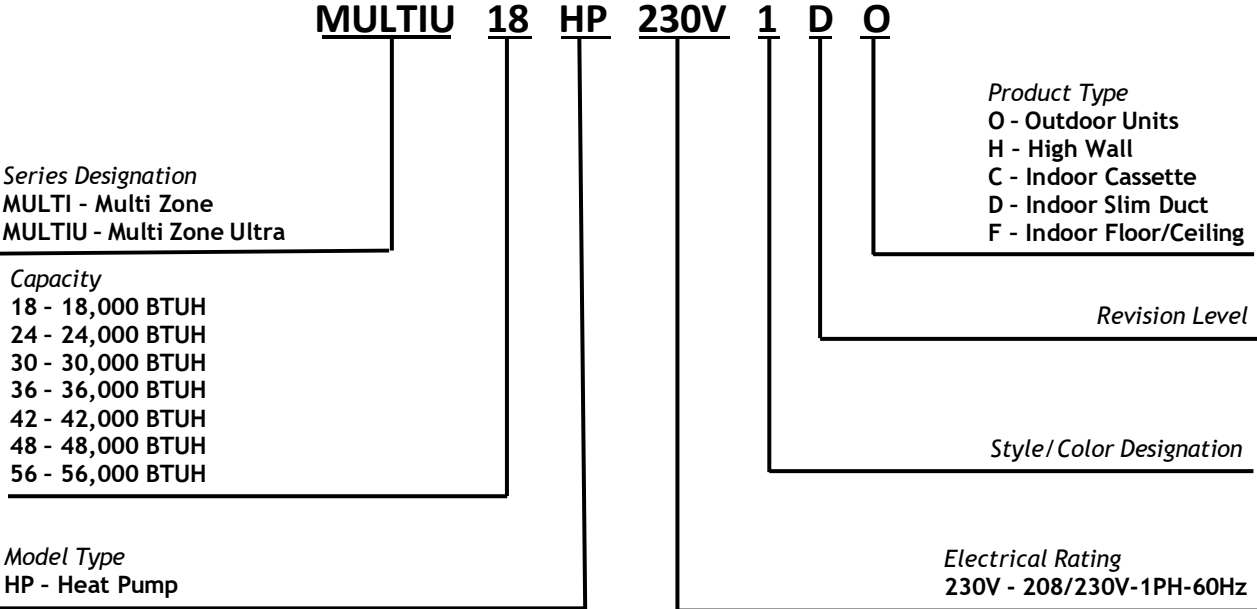
Thank you for choosing our product.
Please read this Parts Manual carefully before operation and retain it for future reference.

If you lose this Manual, please contact your local distributor or visit www.greecomcomfort.com/resources now to download and file the electronic version.

Nomenclature

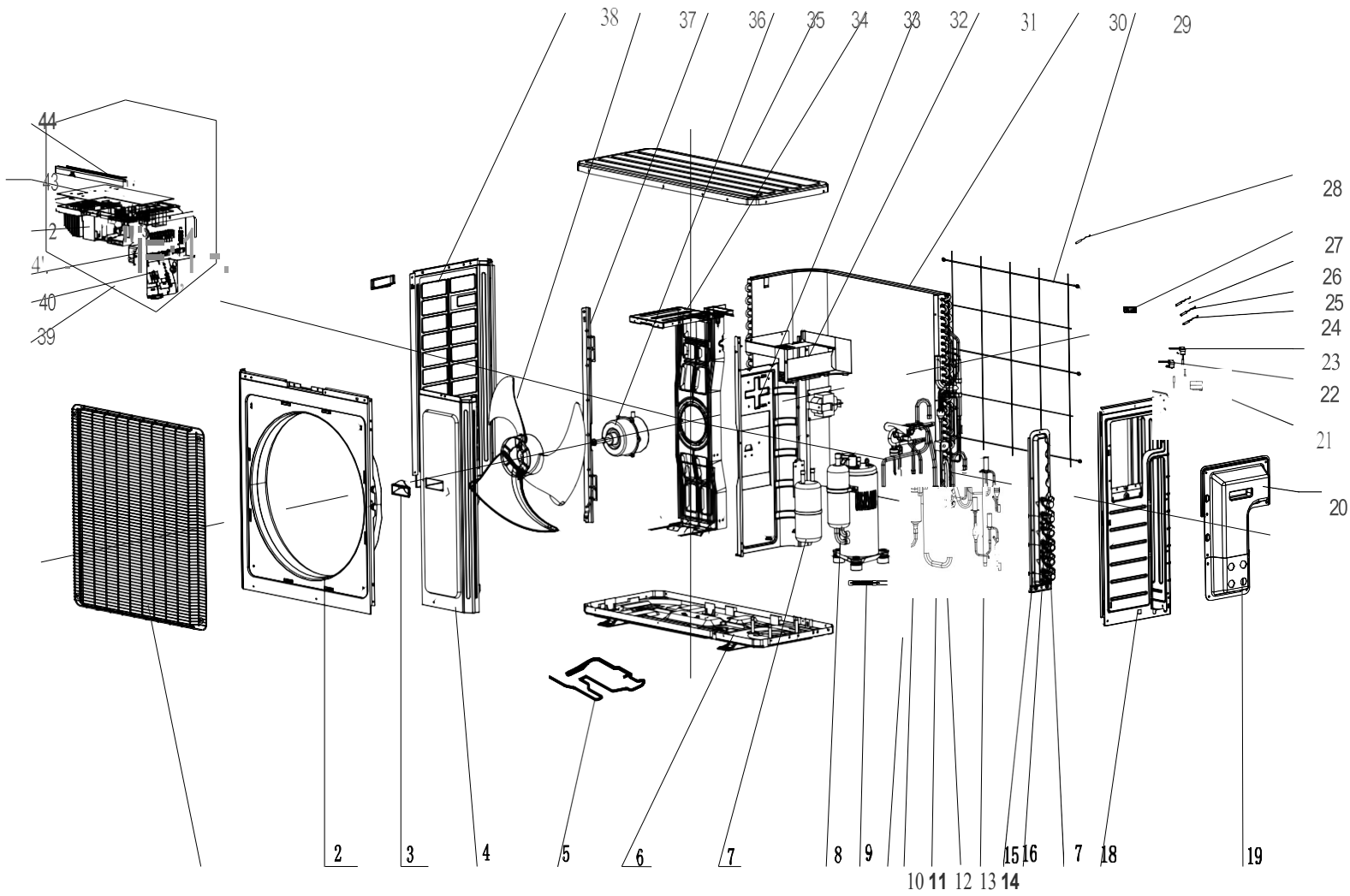
MULTI⁺ULTRA

EXAMPLE: MULTIU18HP230V1DO



MULTIU18HP230V1DO

MULTI⁺ULTRA





MULTIU18HP230V1DO

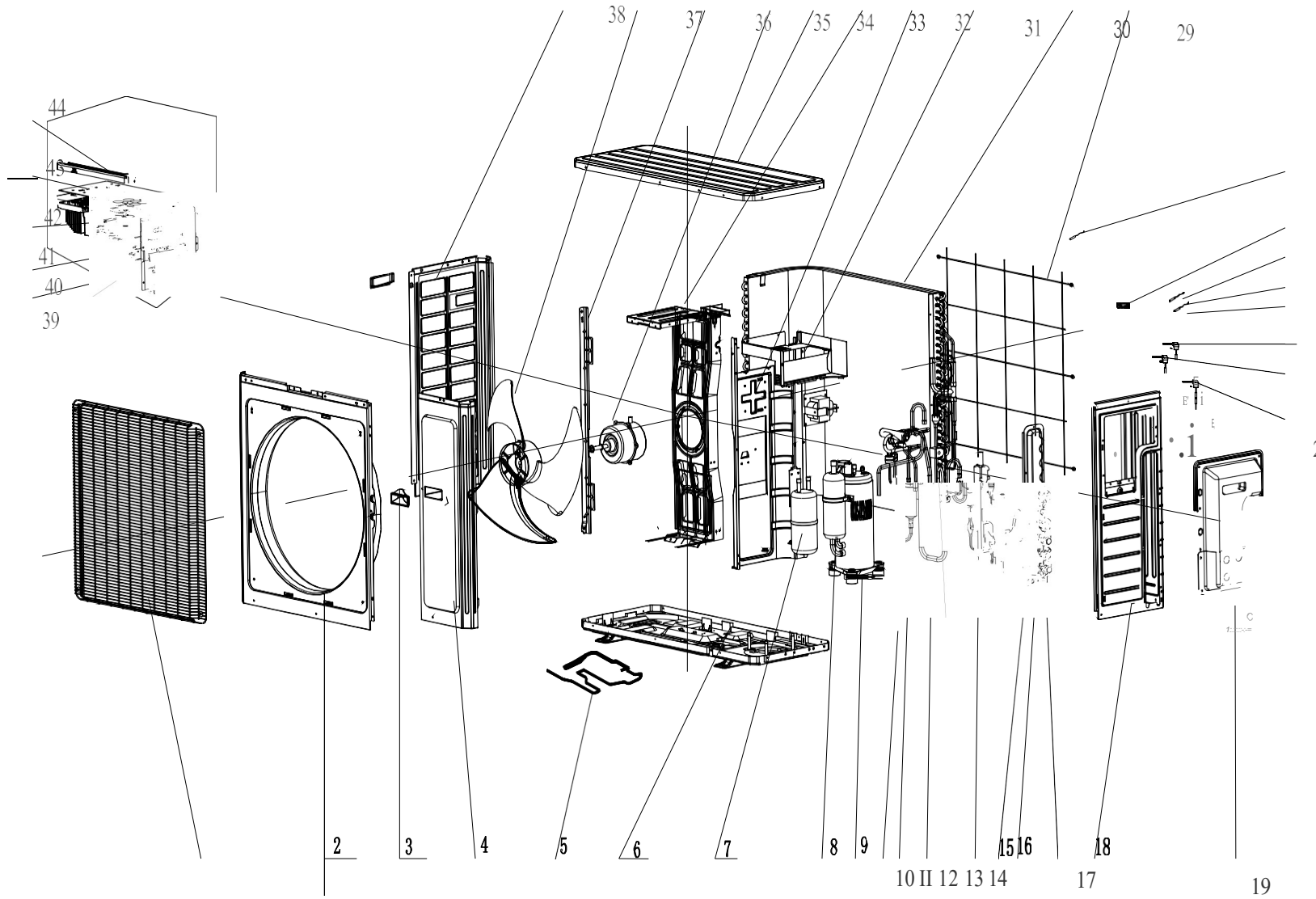
MULTI⁺ULTRA

NO.	Part Description	Qty	Part Code
1	Front Grill	1	016004000006
2	Front Panel Assy	1	00000300017501
3	Left Handle	0	none
4	Front Side Plate Sub-Assy	1	017101060007P
5	Electrical Heater (Chassis)	1	7651000413
6	Chassis Sub-Assy	1	017000060044P
7	Gas-liquid Separator	1	07223048
8	Compressor and Fittings	1	009001000013
9	Electric Heater (Compressor)	1	7651873266
10	Tube Connector Sub-Assy	2	06643008
11	4-Way Valve Assy	1	030152060055
12	Connection Pipe	0	none
13	Magnet Coil	1	4304000446
14	Electronic Expansion Valve Assy	1	030174060009
15	Valve Support Assy	1	030163060001
16	Cut off Valve	1	071302391
17	Cut off Valve	1	07130239
18	Right Side Plate	1	0131410000902P
19	Wiring Cover Sub-Assy	1	01264100034
20	Handle Assy	1	02204100008
21	Electric Expand Valve Fitting	1	43000344
22	Electric Expand Valve Fitting	1	4300034411
23	Electric Expand Valve Fitting	1	4300034413
24	Temperature Sensor	1	3900030901
25	Temperature Sensor	1	3900007204
26	Temperature Sensor	1	3900007305
27	Wiring Clamp	1	26115004
28	Temperature Sensor	1	39000073
29	Rear Grill	1	01574100003
30	Condenser Assy	1	011002060151_X20047
31	Electric Box (Fireproofing)	1	01413426
32	Clapboard Sub-Assy	1	017021060037
33	Motor Support Sub-Assy	1	017012000017
34	Top Cover Sub-Assy	1	000051060049
35	Brushless DC Motor	1	15010400000107
36	Condenser Support Plate	1	01175092
37	Axial Flow Fan Sub-Assy	1	10333017
38	Left Side Plate	1	01305043P
39	Electric Box Assy	1	100002060834
40	Terminal Board	1	42200006001301
41	Connection Support	1	01703211
42	Electric Box	1	20113015
43	Main Board	1	300027060170
44	Electric Box Cover Sub-Assy	1	02603217

MULTIU24HP230V1DO



MULTI⁺ULTRA





MULTIU24HP230V1DO

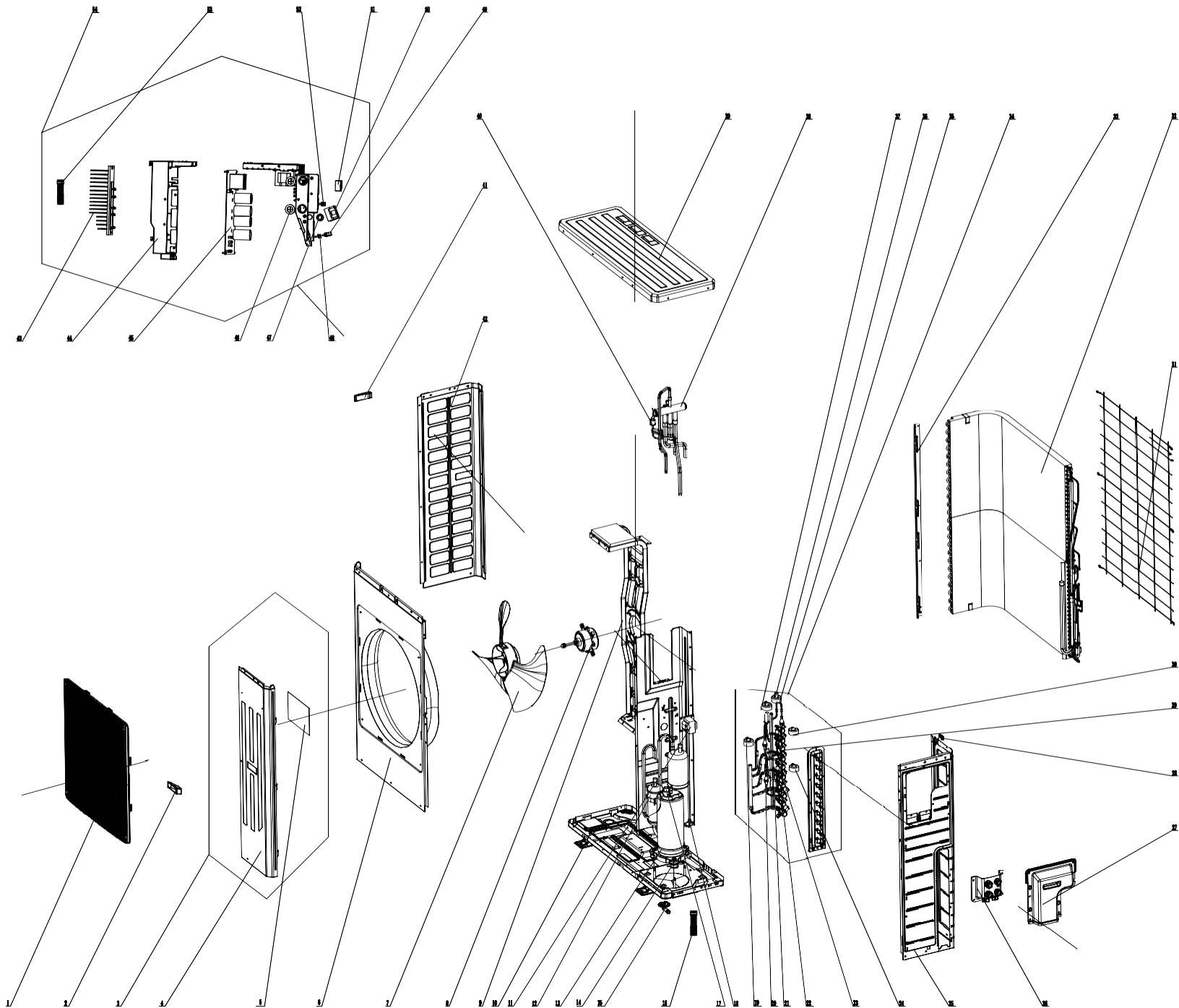
MULTI⁺ULTRA

NO.	Part Description	Qty	Part Code
1	Front Grill	1	016004000006
2	Front Panel Assy	1	00000300017501
3	Left Handle	0	none
4	Front Side Plate Sub-Assy	1	017101060007P
5	Electrical Heater (Chassis)	1	7651000413
6	Chassis Sub-Assy	1	017000060044P
7	Gas-liquid Separator	1	07223048
8	Compressor and Fittings	1	009001000013
9	Electric Heater (Compressor)	1	7651873266
10	Tube Connector Sub-Assy	3	06643008
11	4-Way Valve Assy	1	030152060055
12	Connection Pipe	0	none
13	Magnet Coil	1	4304000446
14	Electronic Expansion Valve Assy	1	030174060016
15	Valve Support Assy	1	030163060003
16	Cut off Valve	1	071302391
17	Cut off Valve	1	07130239
18	Right Side Plate	1	0131410000902P
19	Wiring Cover Sub-Assy	1	01264100034
20	Handle Assy	1	02204100008
21	Electric Expand Valve Fitting	1	43000344
22	Electric Expand Valve Fitting	1	4300034411
23	Electric Expand Valve Fitting	1	4300034413
24	Temperature Sensor	1	3900030901
25	Temperature Sensor	1	3900007204
26	Temperature Sensor	1	3900007305
27	Wiring Clamp	1	26115004
28	Temperature Sensor	1	39000073
29	Rear Grill	1	01574100003
30	Condenser Assy	1	011002060151_X20047
31	Electric Box (Fireproofing)	1	01413426
32	Clapboard Sub-Assy	1	017021060037
33	Motor Support Sub-Assy	1	017012000017
34	Coping	1	01255020P
N/A	Top Cover Sub-Assy	1	000051060049
35	Brushless DC Motor	1	15010400000107
36	Condenser Support Plate	1	01175092
37	Axial Flow Fan Sub-Assy	1	10333017
38	Left Side Plate	1	01305043P
39	Electric Box Assy	1	100002060797
40	Terminal Board	1	42200006001301
41	Connection Support	1	01703211
42	Electric Box	1	20113015
43	Main Board	1	300027060012
44	Electric Box Cover Sub-Assy	1	02603217

MULTIU36HP230V1DO



MULTI⁺ULTRA



GREE ELECTRIC APPLIANCES INC.OF ZHUHAI
GREECOMFORT.COM



MULTIU36HP230V1DO

MULTI⁺ULTRA

NO.	Part Description	Qty	Part Code
1	Front Grill	1	016004060003
2	Handle	2	02113031
3	Front Side Plate Sub-Assy	1	0130550801
4	Front Side Plate	1	0130506501
5	Insulated Board (Cover of Electric Box)	1	20113003
6	Cabinet	1	01435007P
7	Axial Flow Fan	1	10335014
8	Brushless DC Motor	1	1570280000409
9	Motor Support Sub-Assy	1	017012060043
10	Electrical Heater	1	7651000417
11	Reactor	0	none
12	Compressor and Fittings	1	00204100030
13	Electrical Heater (Compressor)	1	7651521242
14	Compressor Gasket	4	009012000013
15	Drainage Joint	1	26113009
16	Temperature Sensor	1	3900825401G
17	Compressor Overload Protector (External)	0	none
18	Bolt	9	70210087
19	Electric Expand Valve Fitting	0	none
20	Strainer	4	0721304401
21	Bidirectional Strainer	0	none
22	Cut off Valve	0	none
23	Cut off Valve	1	071302391
24	Electric Expand Valve Fitting	1	43000344
25	Right Side Plate	1	0131410002702P
26	Wiring Cover Sub-Assy	1	000224060003
27	Handle Assy	1	000223000003
28	Wiring Clamp	1	26115004
29	Cut off Valve	1	07130239
30	Electric Expand Valve Fitting	1	43000345
31	Rear Grill	1	01574100007
32	Condenser Assy	1	011002060110_X20047
33	Condenser support plate	1	01895242
34	Valve Support Assy	1	030163060005
35	Electric Expand Valve Fitting	1	4300034411
36	Electronic Expansion Valve	1	43005018
37	Electric Expand Valve Fitting	1	4300034412
38	4-way Valve	1	43000338
39	Top Cover	1	0125500901P
40	Pressure Protect Switch	1	4602000603
41	Left Handle	0	none
42	Left Side Plate	1	01305064P



MULTIU36HP230V1DO

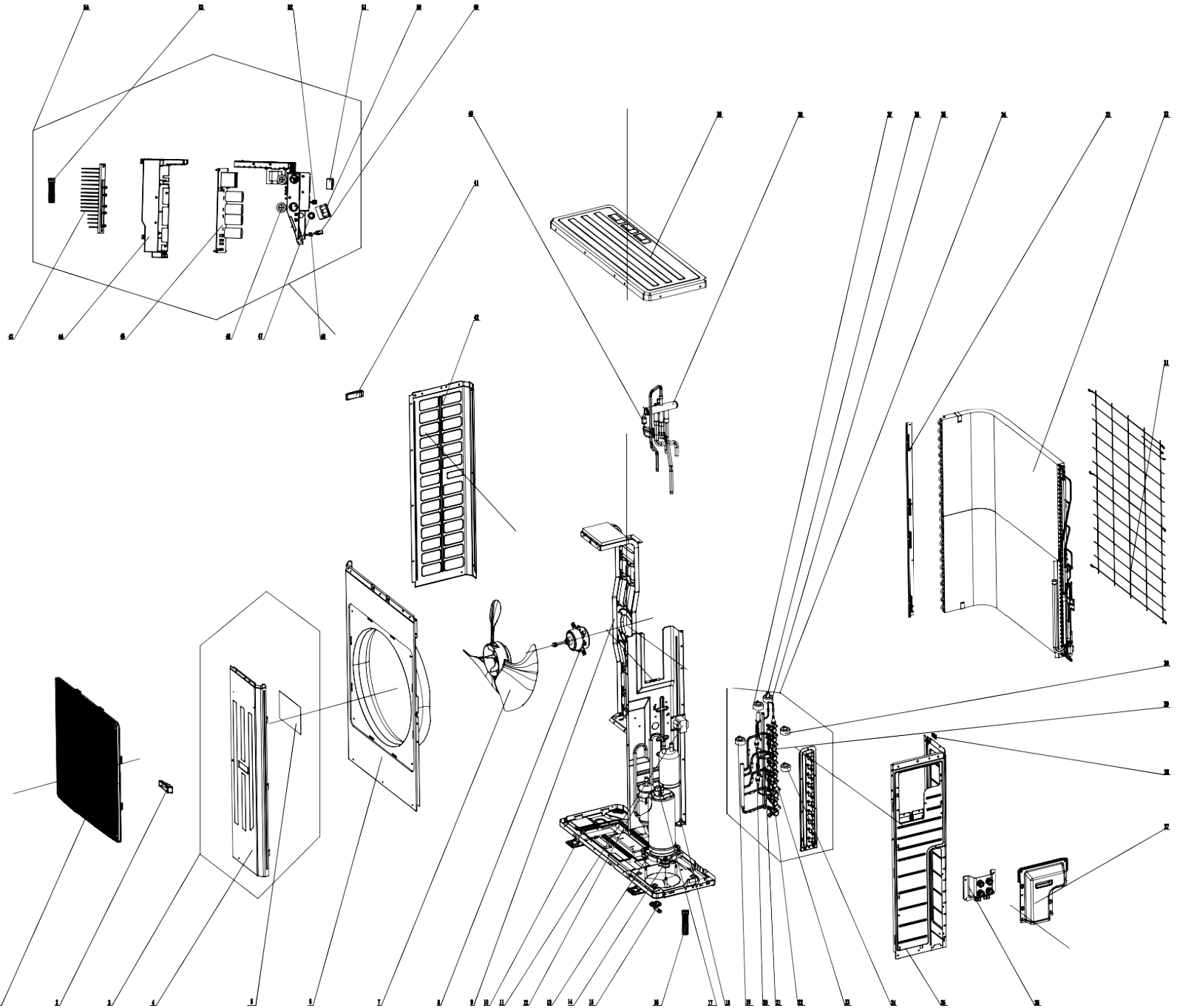
MULTI⁺ULTRA

No.	Part Description	Qty	Part Code
43	Radiator	1	4901800000203
44	Electric Box	1	20001306002301
45	Main Board	1	300027060190
46	Heat Insulator	1	12128748
N/A	Cable Cross Loop	1	76510021
47	Magnetic Ring	1	49010109
48	Insulation Gasket	1	70410503
N/A	Insulation Gasket	1	70410006
49	Wire Clamp	1	71010007
50	Terminal Board	1	42200006001201
51	Terminal Board	4	422000060015
52	Wire Clamp	4	71010003
53	Temperature Sensor	1	3900007201
54	Electric Box Assy	1	100002060835

MULTIU42HP230V1DO



MULTI⁺ULTRA



NO.	Part Description	Qty	Part Code
1	Front Grill	1	016004060003
2	Handle	2	02113031
3	Front Side Plate Sub-Assy	1	0130550801
4	Front Side Plate	1	0130506501
5	Insulated Board (Cover of Electric Box)	1	20113003
6	Cabinet	1	01435007P
7	Axial Flow Fan	1	10335014
8	Brushless DC Motor	1	1570280000409
9	Motor Support Sub-Assy	1	017012060043
10	Electrical Heater	1	7651000417
11	Reactor	0	none
12	Compressor and Fittings	1	00204100030
13	Electrical Heater (Compressor)	1	7651521242
14	Compressor Gasket	4	009012000013
15	Drainage Joint	1	26113009
16	Temperature Sensor	1	3900825401G
17	Compressor Overload Protector (External)	0	none
18	Bolt	9	70210087
19	Electric Expand Valve Fitting	0	none
20	Strainer	5	0721304401
21	Bidirectional Strainer	0	none
22	Cut off Valve	0	none
23	Cut off Valve	1	071302391
24	Electric Expand Valve Fitting	1	43000344
25	Right Side Plate	1	0131410002702P
26	Wiring Cover Sub-Assy	1	000224060003
27	Handle Assy	1	000223000003
28	Wiring Clamp	1	26115004
29	Cut off Valve	1	07130239
30	Electric Expand Valve Fitting	1	43000345
31	Rear Grill	1	01574100007
32	Condenser Assy	1	011002060110_X20047
33	Condenser support plate	1	01895242
34	Valve Support Assy	1	030163060002
35	Electric Expand Valve Fitting	1	4300034411
36	Electronic Expansion Valve	1	43005018
37	Electric Expand Valve Fitting	1	4300034412
38	4-way Valve	1	43000338
39	Top Cover	1	0125500901P
40	Pressure Protect Switch	1	4602000603
41	Left Handle	0	none
42	Left Side Plate	1	01305064P
43	Radiator	1	4901800000203
44	Electric Box	1	20001306002301
45	Main Board	1	300027060011



MULTIU42HP230V1DO

MULTI+ULTRA

No.	Part Description	Qty	Part Code
46	Heat Insulator	1	12128748
N/A	Cable Cross Loop	1	76510021
47	Magnetic Ring	1	49010109
48	Insulation Gasket	1	70410503
N/A	Insulation Gasket	1	70410006
49	Wire Clamp	1	71010007
50	Terminal Board	1	42200006001201
51	Terminal Board	5	422000060015
52	Wire Clamp	5	71010003
53	Temperature Sensor	1	3900007201
54	Electric Box Assy	1	100002060833



U.S. CONTACT INFORMATION TRADEWINDS, LLC

E-mail: info@twclimate.com

Contractor Support: 888-850-7928 | Mon-Fri 8 AM - 5 PM EDT

GREE ELECTRIC APPLIANCES INC.OF ZHUHAI
GREECOMFORT.COM

CAT No.01262024
