



**40V LITHIUM-ION CORDLESS
POLE HEDGE TRIMMER**

Model: EB918D



Operations Manual

TABLE OF CONTENTS

- Symbols.....2
- Safety Instructions.....2
- Major Parts of the Hedge Trimmer.....8
- Technical Specifications.....9
- Assembly and Operation.....9
- Maintenance and Care.....12
- Disposal.....13
- Guarantee/Warranty.....14

These instructions should be read in conjunction with the instruction manual for the battery pack and charger.

SYMBOLS



General Safety Warning

1. To avoid accidental operation and injury, the battery should always be removed whenever you are not using the tool, before checking, cleaning, or performing other work on the unit, and if the unit starts vibrating excessively.
2. This trimmer is equipped with a dual switch safety feature. The saw will not operate unless both the front handle switch and the rear handle switch are engaged. NEVER attempt to interfere with this safety

feature by taping or clamping the switches.

3. Protect the battery contacts when the battery is not being used. Loose metal parts may short-circuit the contacts - Explosion and fire hazard!



Before using this tool, read the operations manual. Read all safety warnings and all instructions.

Failure to follow the warnings and instructions may result in electric shock, fire and/or serious injury



Protective goggles/visor, protective helmet & hearing protection.



Wear non-slip, heavy-duty protective gloves.



Do not expose to rain.



Do not throw batteries and other electrical products into the household waste, fire, or water.

Safety Instructions



This garden tool is not intended for use by persons (including children) with reduced physical, sensory or mental capabilities, or lack of experience and knowledge,

unless they have been given supervision or instruction concerning use of the machine by a person responsible for their safety.

Never allow children or people unfamiliar with these instructions to use the garden tool. Supervise children. This will ensure that children do not play with the unit.

Intended Use

This garden tool is

- intended for cutting and trimming hedges and bushes which have a maximum branch thickness of 24 mm;
- designed for maintaining hedges and bushes in the private sector,
- not suitable for work above shoulder height,
- to use according to the descriptions and safety instructions indicated in this operating manual.

Any other use is not as intended. Improper use is not covered by the warranty and the manufacturer will reject any liability. The user is liable for all injuries to third parties and damage to their property.

Operate the unit only in the technical condition as stipulated and delivered by the manufacturer.

Arbitrary changes to the unit will exclude the manufacturer from any liability for resulting injury and/or damage.

General Power Tool Safety

Warnings




The term "power tool" in the warnings refers to your battery-operated (cordless) power tool.

Work Area Safety

1. **Keep work area clean and well lit.** Cluttered or dark areas invite accidents.
2. **Do not operate power tools in explosive atmospheres, such as in the presence of flammable liquids, gases, or dust.** Power tools create sparks which may ignite the dust or fumes.
3. **Keep children and bystanders away while operating a power tool.** Distractions can cause you to lose control.

Electrical Safety

1. **Power tool plugs must match the outlet. Never modify the plug in any way. Do not use any adapter plugs with earthed (grounded) power tools.** Unmodified plugs and matching outlets will reduce the risk of electric shock.
2. **Avoid body contact with earthed or grounded surfaces, such as pipes, radiators, ranges and refrigerators.** There is an increased risk of electric shock if your body is earthed or grounded.
3. **Do not expose power tools to rain or wet conditions.** Water entering a power tool will increase the risk of electric shock. 
4. **Do not abuse the cord. Never use the cord for carrying, pulling or unplugging the power tool.** Keep the cord away from heat, oil, sharp edges or moving parts. Damaged or entangled cords increase the risk of electric shock.

5. **When operating a power tool outdoors, use an extension cord suitable for outdoor use.** Use of a cord suitable for outdoor use reduces the risk of electric shock.

6. **If operating a power tool in a damp location is unavoidable, use a residual current device (RCD) protected supply.** Use of an RCD reduces the risk of electric shock.

Personal Safety

1. **Stay alert, watch what you are doing and use common sense when operating a power tool.** Do not use a power tool while you are tired or under the influence of drugs, alcohol, or medication. A moment of inattention while operating power tools may result in serious personal injury.

2. **Use personal protective equipment. Always wear eye protection.** Protective equipment such as dust mask, non-skid safety shoes, hard hat, or hearing protection used for appropriate conditions will reduce the risk of injury.

3. **Prevent unintentional starting. Ensure the switch is in the off-position before connecting to the power source and/or battery pack, picking up, or carrying the tool.** Carrying power tools with your finger on the switch or power tools that have been turned on invite's accidents.

4. **Remove any adjusting key or wrench before turning the power tool on.** A wrench or a key left attached to a rotating part of the power tool may increase the risk of injury.

5. **Do not overreach. Keep proper footing and balance at all times.** This enables better control of the power tool in unexpected situations.

6. **Dress properly. Do not wear loose clothing or**

jewelry. Keep your hair, clothing and gloves away from moving parts. Loose clothes, jewelry or long hair can be caught by moving parts.

7. **If devices are provided for the connection of dust extraction and collection facilities, ensure that these are connected and properly used.** Use of dust collection can reduce dust-related hazards.

Power Tool Use and Care

1. **Do not force the power tool. Use the correct power tool for your application.** The correct power tool will do the job better and safer at the rate for which it is designed.

2. **Do not use the power tool if it can't be turned on and off by its switch.** Any power tool that cannot be controlled with the switch is dangerous and must be repaired.

3. **Disconnect the plug from the power source and/or the battery pack from the power tool before making any adjustments, changing accessories, or before storing the power tool.** Such preventive safety measure reduces the risk of starting the power tool accidentally.

4. **Store idle power tools out of reach of children and do not allow persons unfamiliar with the power tool or these instructions to operate it.** Power tools are dangerous in the hands of untrained users.

5. **Maintain the power tools. Check for misalignment or binding of moving parts, breakage of parts and any other condition that may affect the power tool's operation.** If damaged, have the power tool repaired before use. Many accidents are caused by poorly maintained power tools.

6. **Keep cutting tools sharp and clean.** Properly maintained cutting tools with sharp cutting edges are less likely to bind and are easier to control.

7. **Use the power tool, accessories and tool bits etc. in accordance with these instructions, taking into account the working conditions and the work to be performed.** Use of the power tool for operations different from those intended could result in a hazardous situation.

Battery Tool Use and Care

1. **Recharge only with the charger specified by the manufacturer.** A charger that is suitable for one type of battery pack may create a risk of fire when used with another battery pack.

2. **Use power tools only with specifically designated battery packs.** Use of any other battery packs may create a risk of injury and fire.

3. **When battery pack is not in use, keep it away from other metal objects like paper clips, coins, keys, nails, screws, or other small metal objects that can make a connection from one terminal to another.** Shorting the battery terminals together may cause burns or fire.

4. **Under abusive conditions, liquid may be ejected from the battery; avoid contact. If you accidentally contact the battery liquid, flush it with water.** If the battery liquid contacts the eyes, seek medical help as soon as possible. Liquid ejected from the battery may cause irritation or burns.

Safety Instructions for Hedge Trimmers

1. **Keep all body parts away from the cutter.** Never attempt to remove the clippings while the blade is running or hold material which is to be cut. Before removing any jammed clippings, switch off the unit

2. **A moment of inattention when using the hedge trimmer may result in serious injuries.**

3. **Carry the hedge trimmer by the handle when the blade has stopped.** When transporting or storing the hedge trimmer, always remove the battery and pull on the guard. Handle the unit carefully to reduce the risk of injury from the blade.

4. **Hold the electric power tool by the insulated handle surfaces only, as the cutter may touch concealed power lines.** If the cutter comes into contact with a live line, metallic parts of the unit may become energized and cause an electric shock.

Additional Safety Instructions

1. **This unit is not designed to be used by persons (including children) who have limited physical, sensory or mental abilities or who have inadequate experience and/or knowledge of the unit, unless they are supervised by a person responsible for their safety or they have been instructed by the person how to use the unit** Children should be supervised to ensure that they do not play with the unit.

2. **Switch the unit off and remove the battery under the following conditions:**

- if the unit is left unattended;
- before checking, cleaning or performing other work on the unit;
- if the unit starts vibrating excessively.

3. **While cutting, ensure that there are no persons (particularly children) or animals in the working area.** Ensure that children do not play with the unit.

4. **Before switching on the hedge trimmer, ensure that the working area is free of stones and pieces of wire.** Look out for them while cutting and search

the hedge for concealed objects, such as wire fences.

5. **Use the unit only in daylight or in good artificial lighting.**
6. **Use the unit in dry conditions only. Protect it from rain and moisture.**
7. **Ensure that the cutter does not touch the ground or other objects.**
8. **Wait until the electric power tool has come to a standstill before putting it down.**
9. **When interrupting work, never leave the unit unattended and keep it in a safe place.**
10. **Always switch the hedge trimmer off before transporting it to other workplaces.**
11. **Never grasp the blade of the hedge trimmer.**
12. **Ensure that all guards and handles are fitted before using the unit.** Never attempt to switch on an incompletely assembled unit or a unit which has unauthorized modifications.
13. **Operate the unit only in the technical condition stipulated and delivered by the manufacturer.** Unauthorized changes to the unit exclude liability of the manufacturer for any resulting damage and/or injury.
14. **Spare parts must conform to the requirements specified by the manufacturer.** Therefore, use original spare parts only or spare parts authorized by the manufacturer. When replacing parts, please follow the supplied installation instructions and remove the battery beforehand.
15. **Have repairs carried out exclusively by a qualified technician or a service center.**

Safety Instructions for The Battery Charger

1. **Keep the battery charger away from rain or moisture.** Penetration of water in the battery charger increases the risk of an electric shock.
2. **Keep the battery charger clean.** Contamination can lead to danger of an electric shock.
3. **Before each use, check the battery charger, cable and plug.** If damage is detected, do not use the battery charger. Never open the battery charger yourself. Have repairs performed only by a qualified technician and only using original spare parts. Damaged battery chargers, cables and plugs increase the risk of an electric shock.
4. **Do not place any objects on the battery charger and do not place the battery charger on soft surfaces.**
5. **There is a risk of fire.**
6. **Always check that the mains voltage matches the voltage indicated on the rating plate of the battery charger.**
7. **Never use the charger if cable, plug or the unit itself has been damaged by external influences.** Take the charger to the nearest service center.
8. **Never open the battery charger. If the battery charger is defective, take it to a service center.**

Safety Instructions for Li-Ion Batteries

1. **Do not open the battery.** There is a risk of a short circuit.
2. **Protect the battery from heat, e.g. from continuous exposure to sunlight, fire, water and humidity.**
3. **There is a risk of explosion.**
4. **In case of damage and improper use of the battery,** vapors may be emitted. Ventilate the area and seek

medical help in case of complaints. The vapors can irritate the respiratory system.

5. **Under abusive conditions, liquid may be ejected from the battery; avoid contact.** If contact accidentally occurs, flush with water. If liquid contacts eyes, additionally seek medical help.
6. **Liquid ejected from the battery may cause irritation or burns.**
7. **Use only original batteries with the voltage indicated on the rating plate of your electric power tool.** If other batteries are used, e.g. imitations, reconditioned batteries or third-party products, there is a risk of injuries as well as damage caused by exploding batteries.
8. **The battery voltage must match the battery charging voltage of the battery charger.** Otherwise, there is a risk of fire and explosion.
9. **Recharge only with the charger specified by the manufacturer.** A charger that is suitable for one type of battery pack may create a risk of fire when used with another battery pack.
10. **Pointed objects, such as nails or screw-drivers, or external forces may damage the battery.** This may cause internal short-circuit and the battery to bum, smoke, explode or overheat.

Noise and Vibration

NOTE: Values for the A-weighted sound pressure level and for the total vibration values can be found in the "Product Specifications" table.

CAUTION: The indicated measurements refer to new power tools. Daily use causes the noise and vibration values to change.

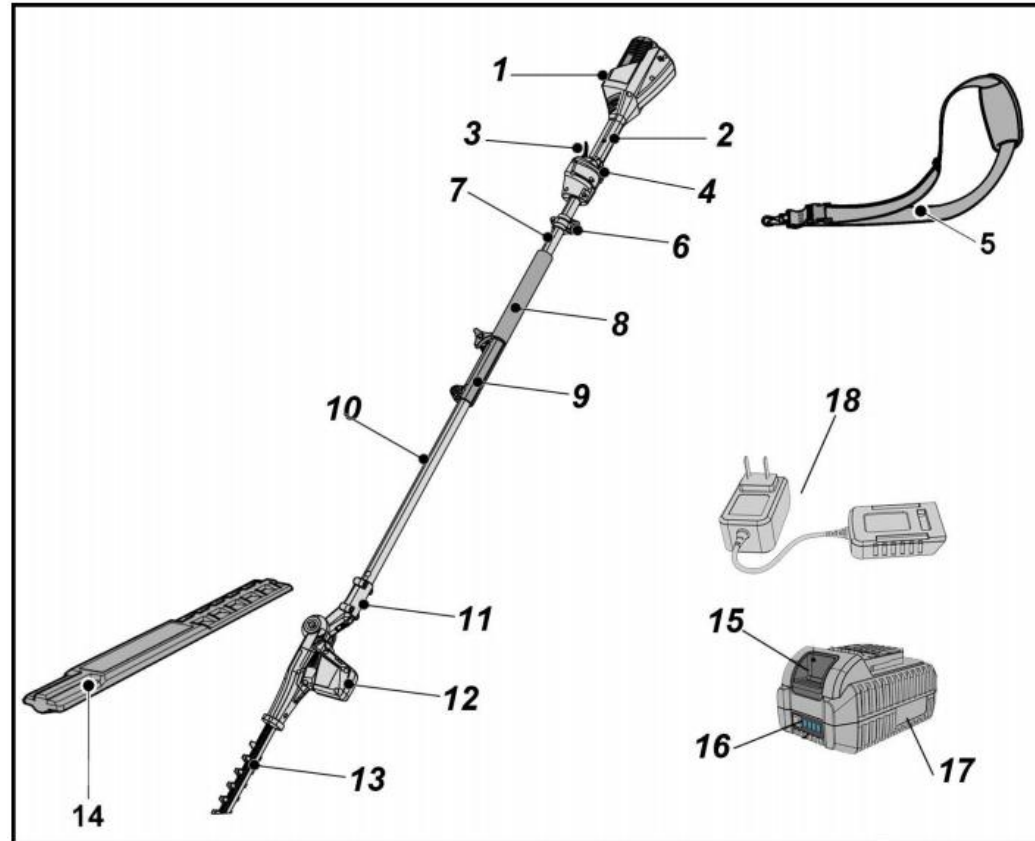
NOTE: The vibration emission level given in this information sheet has been measured in accordance with a standardized test given in EN 60745 and may be used to compare one tool with another. It may be used for a preliminary assessment of exposure. The declared vibration emission level represents the main applications of the tool. However, if the tool is used for different applications, with different accessories or poorly maintained, the vibration emission may differ. This may significantly increase the exposure level over the total working period. However, if the tool is used for different applications, with different accessories or poorly maintained, the vibration emission may differ. This may significantly decrease the exposure level over the total working period. Identify additional safety measures to protect the operator from the effects of vibration such as: maintain the tool and the accessories, keep the hands warm, organization of work patterns.

CAUTION: Wear ear protection at a sound pressure above 85 dB(A).

Service

Have your power tool serviced by a qualified repair professional using only the identical replacement parts. This will ensure that the safety of the power tool is maintained.

POLE HEDGE TRIMMER PARTS



- | | |
|-------------------------------------|--------------------------------------|
| 1. Insertion slot for battery | 11. Locking button for working angle |
| 2. Handle | 12. Housing ventilation openings |
| 3. On/Off switch | 13. Cutting bar |
| 4. Switch interlock | 14. Impact guard |
| 5. Shoulder belt | 15. Protection hood |
| 6. Fastening loop for shoulder belt | 16. Battery (EB20) |
| 7. Lower shaft | 17. LED state of charge indicator |
| 8. Front handle | 18. Release button for battery |
| 9. Upper shaft | 19. Battery charger (EBC05) |
| 10. Lower shaft | |

TECHNICAL SPECIFICATIONS

Tool	Pole Hedge Trimmer
Model	EB918D
Rated Voltage	40V DC
Linear No-Load Speed	1300 rpm
Blade Length	18.11"
Maximum branch thickness	0.94"
Weight (without battery pack)	7.71 lbs. (3.5 kg)
Guaranteed Sound Power Level	94 dB(A)
Vibration Uncertainty K= 1.5m/s²	<3.26 m/s ²
Battery Pack	EB20
Battery Charger	EBC05

ASSEMBLY AND OPERATION



GENERAL SAFETY WARNING #1!

Before Initial Operation

Unpack the garden tool and accessories and check that no parts are missing or damaged.

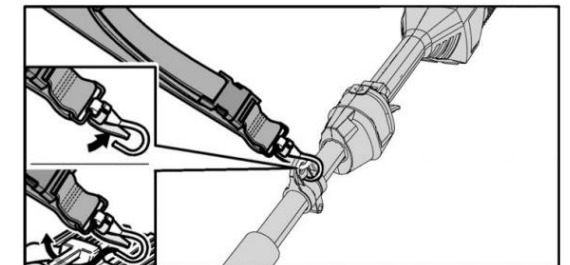
NOTE: The batteries (optional; depending on delivery scope) are not fully charged on delivery. Prior to initial operation, charge the batteries fully. See user manual of the battery charger.

Adjustments before using

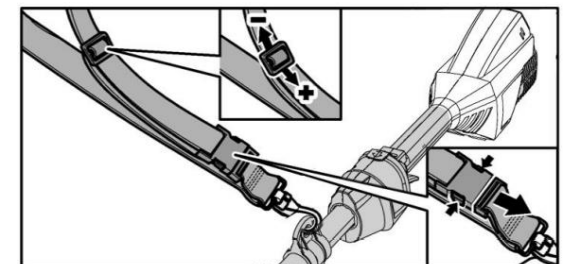
Before performing any work on the garden tool, remove the battery.

Assembling and Adjusting the Shoulder Belt

- Open retaining hook and hook onto the fastening eye on the housing.

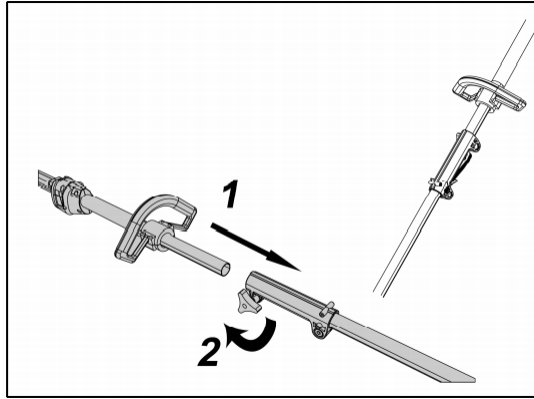


- Adjust the shoulder belt to your height.



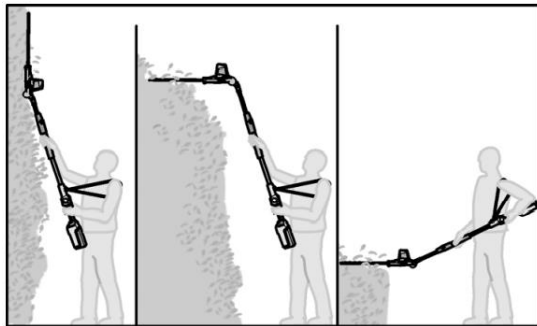
Assemble the shafts

- Please plug the shafts together as illustrated (1).
- Tighten up the shaft coupling (2).

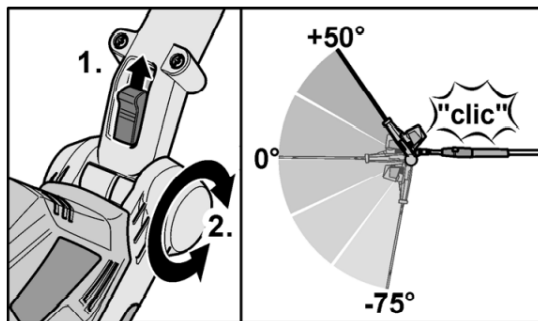


Adjusting the working angle

For high or low cutting the cutting head can be tilted.

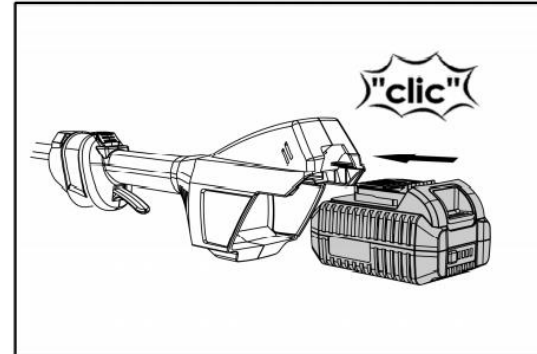


- Press up the locking button (1).
- Set the required working angle (2).
- Release the locking button until it clicks into place.

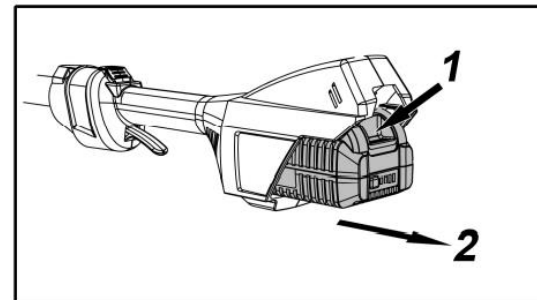


Inserting/Replacing the Battery

- Charging the battery as described in the user manual of the charger.
- Press the charged battery into the power tool until it clicks into place.

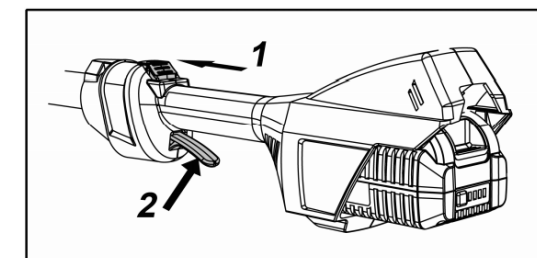


- To remove, press the release button (1) and pull out the battery (2).



Switching the Trimmer On/Off

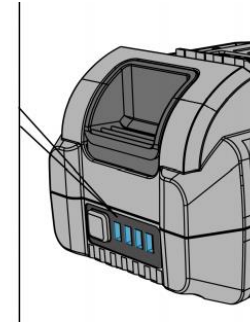
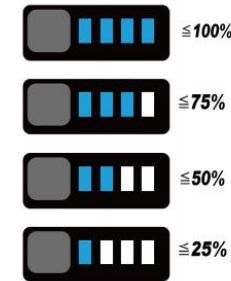
1. Press and hold down the switch interlock (1).
2. Then, press the on/off switch (2) to turn the trimmer on.



3. Release the on/off button to switch the trimmer off.

Battery State of Charge

Press the button to check the state of charge at the state of charge indicator LED.



The indicator goes out after 3 seconds. If the LED lights red, the battery must be recharged. If the LED doesn't light up after the button is pressed, the battery is faulty and must be replaced.

Cleaning the Cutter Bar

(after each use)

- Remove the battery.
- Clean the cutter bar after each use. Remove contamination, remains of blades etc.
- Spray the cutter bar with maintenance oil to ensure that the hedge trimmer has a long service life. Preferably use environmentally friendly lubricants, e.g. service sprays.

CAUTION! Do not oil the hedge trimmer while it is running.

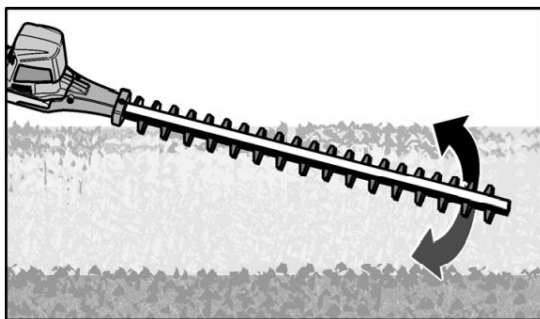
Work Instructions

1. Check that all parts are firmly attached and obviously undamaged.
2. Look over the working area and remove any obstructions. Remove all foreign objects from the hedge, such as wire or other parts, as these may block or damage the cutting mechanism.

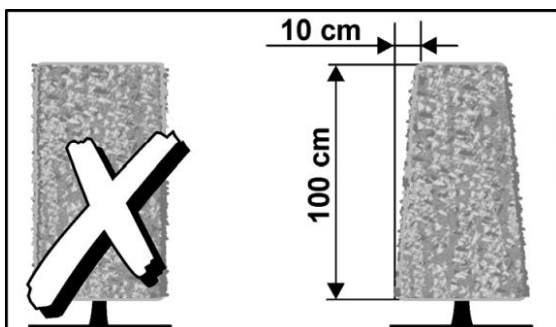
3. Cut out thick branches beforehand using pruning shears.
4. Pick up the power tool in both hands as specified.
5. Always cut at full engine speed.
6. Start cutting only with the cutting mechanism running.
7. The impact guard protects you against unpleasant impacts, e.g. recoil torque of the cutter, when striking a solid object (wall, ground, etc.).
8. Never touch wire fences or the ground with the running cutting mechanism.
9. If cutting hedges over a prolonged period, interrupt your work more frequently and oil the cutter bar.
10. Switch the engine off and remove the battery:
 - to remove blockages (jammed clippings) from the cutting bar;
 - if the unit behavior changes or it vibrates unusually;
 - if you have come into contact with foreign objects or the ground;
 - when taking breaks and leaving the unit unattended.
- NOTE:** If the power tool is damaged or vibrates unusually, it must be repaired by a service center before it is used again.
11. After use, stop the motor and wait until all rotating parts have come to a standstill.
12. Place the protection hood on the cutter bar.

Cutting Techniques

- The hedge trimmer can be guided with its double-sided cutters forwards and backwards or in an oscillating movement from one side to the other.



- Cut the hedge from bottom to top.
- Hold the hedge trimmer at an angle of 5-10° to the hedge to ensure a straight cut.
- Cut the hedge in a trapezoidal shape. This prevents the lower part of the hedge from losing its foliage due to lack of light.



- Cut the upper edges of the hedge slightly round.
- Cut in several stages if heavy trimming is required.
- Peg out a string line if you want to cut the hedge evenly.
- Trim the young hedge plants to the required shape. The main shoot should not be damaged until the hedge has reached the required height. All other shoots can be cut back to half their height.
- Dispose of the clippings properly and in an environmentally friendly manner.

- Cutting times:
 - Deciduous hedges: June and October
 - Evergreen hedges: April and August
 - Fast growing hedges (e.g. conifers): from May approximately every 6 weeks

NOTE: Beware of nesting birds in the hedge. Do not cut the hedge until birds have fledged or do not cut this part of the hedge.

MAINTENANCE AND CARE



GENERAL SAFETY WARNING #1!



For your own safety, perform only the maintenance work described here by yourself. All other work, in particular motor maintenance and repairs, must be performed by a trained specialist, improper work may damage the power tool and also result in injuries. Have this power tool inspected once a year at a service center.

Cleaning

WARNING: Do not use water or liquid detergents.

CAUTION: Clean the unit after every use. Failure to clean the unit can damage the materials and cause malfunctions.

1. After each use, clean the hedge trimmer using a dry cloth or a brush if the unit is very dirty.
2. Never spray the hedge trimmer with water.
3. Keep the ventilation slits clean and dust-free.
4. Clean the cutter bar after each use. Remove contamination, remains of blades etc.

5. Spray the cutter bar with maintenance oil to ensure that the hedge trimmer has a long service life. Preferably use environmentally friendly lubricants, e.g. service sprays.
6. Place the hedge trimmer on its side and apply a thin film of oil to the cutter bar.

Blade Care

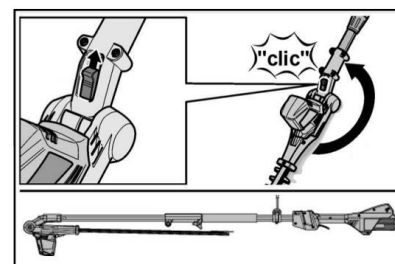
1. Lubricate the cutting blades after each use.
2. Periodically inspect the blades for damage and wear.
3. Always use the manufacturer's specified replacement blades.

To Lubricate The Blade

1. For easier operation and longer blade life, lubricate the hedge trimmer blade before and after each use.
2. Before lubricating, remove the battery pack and lay hedge trimmer on a flat surface.
3. Apply light machine oil along the edge of the top blade.
4. Always remove the battery pack before lubricating the blades and never apply oil to moving blades

Storage

1. Store the unit in a dry and frost-free place (10-25 °C).
2. Store the battery and the unit separately.
3. Charge the battery before storing the unit in winter.
4. Place the protection hood on the cutter bar.



- Keep the unit, in particular its plastic components, away from brake fluids, petrol, petroleum products, penetrating oil, etc. They contain chemical substances which may damage, attack or destroy the plastic components of the unit.
- Fertilizers and other garden chemicals contain substances which may have highly corrosive effect on the metal parts of the unit near these substances.

Repair

Check the unit for damage. Repairs may be carried out by an authorized customer service center only.

DISPOSAL INFORMATION



Render redundant garden tools unusable:

- Main-operated tool by removing the power cord,
- Battery-operated tool by removing the battery.

For EU countries only:

Do not throw electric power tools into the household waste! In accordance with the European Directive 2012/19/EC on Waste Electrical and Electronic Equipment and transposition into national law, used electric power tools must be collected separately and recycled in an environmentally friendly manner, same with devices, accessories, and packaging. Plastic parts are identified for recycling according to material type.



Do not open disused batteries. Accumulators/batteries should be collected, recycled or disposed of in an environmentally friendly manner, too.

For EU countries only:

In accordance with Directive 2006/66/EC defective or used batteries must be recycled.

Please ask your dealer about the disposal options!

GUARANTEE/WARRANTY

This product has been manufactured to the highest quality standards. When a new product is purchased, it is guaranteed a 24-month (pole hedge trimmer) and 12-month (battery) manufacturer's warranty which comes into force on the date the product was purchased.

The guarantee covers only the defects which can be attributed to a material and/or production fault as well as non-performance of warranted characteristics.

A claim may be made under the guarantee only if the power tool has been used as intended.

This warranty is invalid where defects are caused by or result from:

- misuse, abuse or neglect;
- commercial use (industry, craft, rental)
- repairs attempted by unauthorized repair centers
- damage caused by external effects, foreign objects, substances or accidents.