

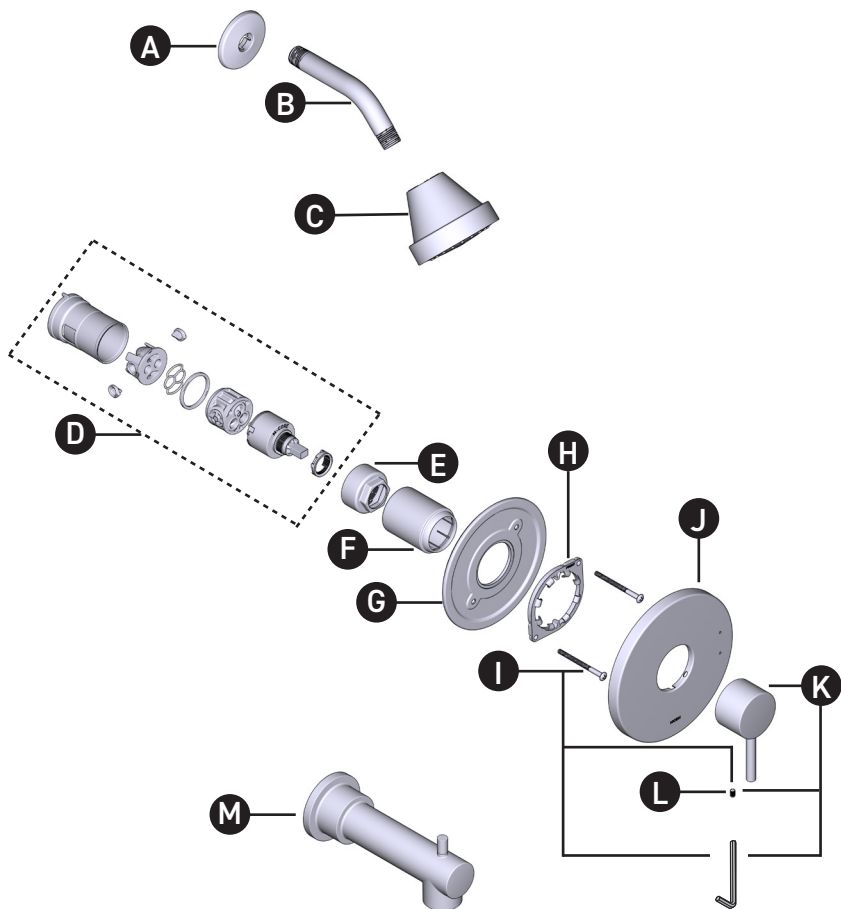
MOEN®

ORDER BY PART NUMBER

VALVE TRIM ONLY	SHOWER TRIM ONLY	TUB SHOWER TRIM	FINISH
UT2191	UT2192EP	UT2193EP	Chrome
UT2191BN	UT2192EPBN	UT2193EPBN	Brushed Nickel
UT2191BG	UT2192EPBG	UT2193EPBG	Brushed Gold
UT2191BL	UT2192EPBL	UT2193EPBL	Matte Black
	UT2192NH	UT2193NH	Chrome
	UT2192NHBN	UT2193NHBN	Brushed Nickel
	UT2192NHBG	UT2193NHBG	Brushed Gold
	UT2192NHBL	UT2193NHBL	Matte Black

*All models with an EP suffix include a 1.75 GPM showerhead

**All models with an NH suffix do not include a showerhead



OPTIONAL: 1" Handle Extension Kit

MODEL	FINISH
200755	Chrome
200755BN	Brushed Nickel
200755ORB	Oil Rubbed Bronze
200755BL	Matte Black
200755BG	Brushed Gold



Illustrated Parts

ALIGN™

Single-Handle M-CORE™ 2-Series Trim

ID	Kit Description	Kit Number	Finish
A	Shower Arm Flange	137488	Chrome
		137488BG	Brushed Gold
		137488BL	Matte Black
		137488BN	Brushed Nickel
B	Shower Arm	10154	Chrome
		10154BG	Brushed Gold
		10154BL	Matte Black
		10154BN	Brushed Nickel
C	Showerhead (1.75 GPM)	6399EP	Chrome
		6399EPBG	Brushed Gold
		6399EPBL	Matte Black
		6399EPBN	Brushed Nickel
D	Cartridge Assembly	1212	N/A
E	Cartridge Nut	200762	N/A
F	Sleeve	200775	Chrome
		200775BN	Brushed Nickel
		200775BG	Brushed Gold
		200775BL	Matte Black
G	Backing Plate	200766	N/A
H	Snap Ring	200772	N/A
I	Backing Plate Screws (2)	200764	N/A
J	Escutcheon Kit	206295	Chrome
		206295BN	Brushed Nickel
		206295BG	Brushed Gold
		206296BL	Matte Black
K	Handle Kit	200782	Chrome
		200782BN	Brushed Nickel
		200782BG	Brushed Gold
		200782BL	Matte Black
L	Set Screw (Required 3/32" Hex Key)	40057	N/A
M	Tub Spout (Slip Fit)	172656	Chrome
		172656BG	Brushed Gold
		172656BL	Matte Black
		172656BN	Brushed Nickel
	Tub Spout (IPS) (Option)	172657	Chrome
		172657BG	Brushed Gold
		172657BL	Matte Black
		172657BN	Brushed Nickel