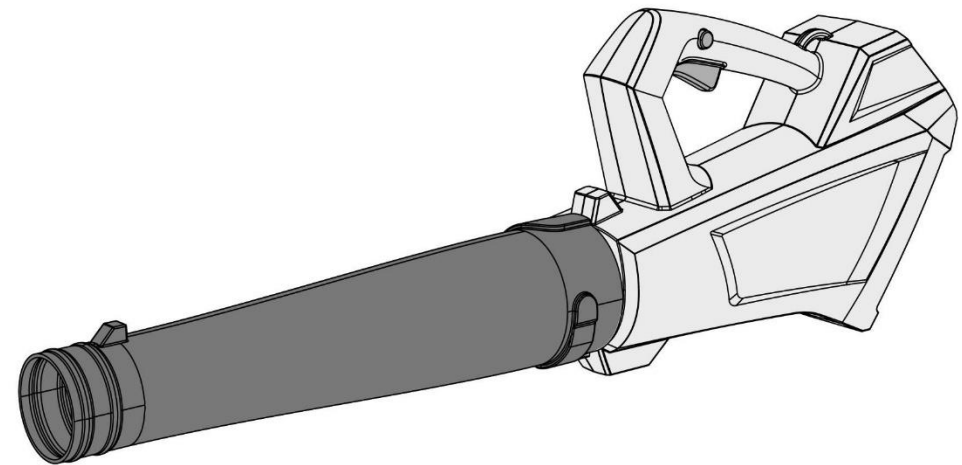




40V LITHIUM-ION CORDLESS BLOWER

Model: EB430D



Operations Manual

TABLE OF CONTENTS

- Symbols.....2
- Safety Instructions.....3
- Major Parts of the Blower.....7
- Technical Specifications.....8
- Assembly and Operation.....8
- Battery State.....9
- Maintenance and Care.....10
- Disposal.....10
- Guarantee/Warranty.....11

These instructions should be read in conjunction with the instruction manual for the battery pack and charger.

SYMBOLS



General Safety Warning

1. When using battery operated tools, basic safety precautions should always be followed to reduce the risk of fire, leaking batteries and personal injury, including the following.
2. To prevent accidental starting that could cause serious personal injury, always remove the battery pack from the blower before doing anything.
3. This charger can be used with an input voltage of 120V and an AC frequency of 60Hz. To avoid the risk of damage and



Before switching the power on, read the operating manual. Read all safety warnings and all instructions.

Failure to follow the warnings and instructions may result in electric shock, fire and/or serious injury



Protective goggles/visor, protective helmet & hearing protection.



Do not expose to rain.



Do not throw batteries and other electrical products into the household waste, fire, or water.

injury, only use the charger to recharge SWIFT 40V battery packs. Never try to recharge non-rechargeable batteries. If the charger is plugged in and no LED lights are illuminated, unplug and check with your nearest authorized service center. Do not attempt to use the charger.

4. Do not use water or liquid detergents.
5. Render redundant garden tools unusable by removing the power or the batteries.

Safety Instructions

User

This garden tool is not intended for use by persons (including children) with reduced physical, sensory or mental capabilities, or lack of experience and knowledge, unless they have been given supervision or instruction concerning use of the machine by a person responsible for their safety.

Never allow children or people unfamiliar with these instructions to use the garden tool. Supervise children. This will ensure that children do not play with the unit.

Intended Use

This garden tool is intended exclusively

- as blower unit for blowing leaves, grass, paper and the like in the private sector,
- according to the descriptions and safety instructions indicated in this operating manual.

Any other use is not as intended. Improper use is not covered by the warranty and the manufacturer will reject any liability. The user is liable for all injuries to third parties and damage to their property.

Operate the unit only in the technical condition as stipulated and delivered by the manufacturer.

Arbitrary changes to the unit will exclude the manufacturer from any liability for resulting injury and/or damage.





GENERAL SAFETY WARNING #1!



Warning

1. Read the instructions carefully. Be familiar with the controls and the correct use of the machine.
2. Never allow the children or people who are unfamiliar with these instructions to use the machine. Local regulations can restrict the age of the operator.
3. Keep in mind that the operator or user is responsible for accidents or hazards that may happen to other people or their property.

Preparation

1. Obtain ear protection and safety glasses. Wear them at all times while operating the machine. 
2. While operating the machine always wear substantial footwear and long trousers. Do not operate the machine when barefoot or wearing open sandals. Avoid wearing clothing that is loose fitting or that has hanging cords or ties. 
3. Do not wear loose clothing or jewelry that can be drawn into the air inlet. Keep long hair away from the air inlets.
4. Operate the machine in a recommended position and only on a stable level surface.
5. Do not operate the machine on a paved or gravel surface where ejected material could cause injury.
6. Before using, always visually inspect to see that bolts and other fasteners are secure, the housing is undamaged, and that guards and screens are in place. Replace worn or damaged components in sets to preserve balance. Replace torn or unreadable labels.
7. Never operate the machine while people, especially children, or pets are nearby.

Operation

1. Before starting the machine, ensure that the feeding chamber is empty.
2. Keep your face and body away from the feed intake opening.
3. Do not allow hands, any other parts of the body, or clothing inside the feeding chamber, discharge chute, or near any moving part.
4. Keep proper balance and footing at all times. Do not overreach. Never stand at a higher level than the base of the machine when feeding material into it.
5. Always stand clear of the discharge zone when operating this machine.
6. When feeding material into the machine, be extremely careful that pieces of metal, rocks, bottles, cans or other foreign objects are not included.
7. If the machine should start making any unusual noise or vibration, immediately switch it off and allow the machine to stop. Remove the battery pack from machine and take the following steps before restarting and operating the machine:
 - a) Inspect for damage.
 - b) Replace or repair any damaged parts.
 - c) Check for and tighten any loose parts.
8. Do not allow processed material to build up in the discharge zone; this may prevent proper discharge and can result in kickback of material through the intake opening.
9. If the machine becomes clogged, switch it off and remove the battery pack from machine before cleaning the debris.
10. Keep the power source clean of debris and other accumulations to prevent damage to the power source and possible fire.

11. Do not transport this machine while the power source is running.
12. Stop the machine and remove the battery pack from the machine. Make sure that all moving parts have come to a complete stop
 - whenever you leave the machine,
 - before clearing blockages or unclogging chute,
 - before checking, cleaning or working on the machine.
13. Do not tilt the machine while the power source is running.

Maintenance and Storage

1. When the machine is stopped for servicing, inspection, or storage, or when you need to change an accessory, switch off the machine, remove battery pack and make sure that all moving parts have come to a complete stop. Allow the machine to cool before making any inspections, adjustments, etc. Maintain the machine with care and keep it clean.
2. Store the machine in a dry place out of reach of children.
3. Always allow the machine to cool down before storing it.
4. Replace worn or damaged parts for safety. Use only genuine replacement parts and accessories.

General Power Tool Safety Warnings




The term "power tool" in the warnings refers to your main-operated (corded) power tool or battery-operated (cordless) power tool.

Work Area Safety

1. Keep work area clean and well lit. Cluttered or dark areas invite accidents.


2. Do not operate power tools in explosive atmospheres, such as in the presence of flammable liquids, gases, or dust. Power tools create sparks which may ignite the dust or fumes.
3. Keep children and bystanders away while operating a power tool. Distractions can cause you to lose control.

Electrical Safety

1. Power tool plugs must match the outlet. Never modify the plug in any way. Do not use any adapter plugs with earthed (grounded) power tools. Unmodified plugs and matching outlets will reduce the risk of electric shock.
2. Avoid body contact with earthed or grounded surfaces, such as pipes, radiators, ranges and refrigerators. There is an increased risk of electric shock if your body is earthed or grounded.
3. Do not expose power tools to rain or wet conditions. Water entering a power tool will increase the risk of electric shock. 
4. Do not abuse the cord. Never use the cord for carrying, pulling or unplugging the power tool. Keep the cord away from heat, oil, sharp edges or moving parts. Damaged or entangled cords increase the risk of electric shock.
5. When operating a power tool outdoors, use an extension cord suitable for outdoor use. Use of a cord suitable for outdoor use reduces the risk of electric shock.
6. If operating a power tool in a damp location is unavoidable, use a residual current device (RCD) protected supply. Use of an RCD reduces the risk of electric shock.

Personal Safety

1. Stay alert, watch what you are doing and use common sense when operating a power tool. Do not use a power

- tool while you are tired or under the influence of drugs, alcohol, or medication. A moment of inattention while operating power tools may result in serious personal injury.
2. Use personal protective equipment. Always wear eye protection. Protective equipment such as dust mask, non-skid safety shoes, hard hat, or hearing protection used for appropriate conditions will reduce the risk of injury. 
 3. Prevent unintentional starting. Ensure the switch is in the off-position before connecting to the power source and/or battery pack, picking up, or carrying the tool. Carrying power tools with your finger on the switch or power tools that have been turned on invites accidents.
 4. Remove any adjusting key or wrench before turning the power tool on. A wrench or a key left attached to a rotating part of the power tool may increase the risk of injury.
 5. Do not overreach. Keep proper footing and balance at all times. This enables better control of the power tool in unexpected situations.
 6. Dress properly. Do not wear loose clothing or jewelry. Keep your hair, clothing and gloves away from moving parts. Loose clothes, jewelry or long hair can be caught by moving parts.
 7. If devices are provided for the connection of dust extraction and collection facilities, ensure that these are connected and properly used. Use of dust collection can reduce dust-related hazards.

Power Tool Use and Care

1. Do not force the power tool. Use the correct power tool for your application. The correct power tool will do the job

better and safer at the rate for which it is designed.

2. Do not use the power tool if it can't be turned on and off by its switch. Any power tool that cannot be controlled with the switch is dangerous and must be repaired.

3. Disconnect the plug from the power source and/or the battery pack from the power tool before making any adjustments, changing accessories, or before storing the power tool. Such preventive safety measure reduces the risk of starting the power tool accidentally.

4. Store idle power tools out of reach of children and do not allow persons unfamiliar with the power tool or these instructions to operate it. Power tools are dangerous in the hands of untrained users.

5. Maintain the power tools. Check for misalignment or binding of moving parts, breakage of parts and any other condition that may affect the power tool's operation. If damaged, have the power tool repaired before use. Many accidents are caused by poorly maintained power tools.

6. Keep cutting tools sharp and clean. Properly maintained cutting tools with sharp cutting edges are less likely to bind and are easier to control.

7. Use the power tool, accessories and tool bits etc. in accordance with these instructions, taking into account the working conditions and the work to be performed. Use of the power tool for operations different from those intended could result in a hazardous situation.

Battery Tool Use and Care

1. Recharge only with the charger specified by the manufacturer. A charger that is suitable for one type of battery pack may create a risk of fire when used with another battery pack.

2. Use power tools only with specifically designated battery packs. Use of any other battery packs may create

a risk of injury and fire.

3. When battery pack is not in use, keep it away from other metal objects like paper clips, coins, keys, nails, screws, or other small metal objects that can make a connection from one terminal to another. Shorting the battery terminals together may cause burns or fire.

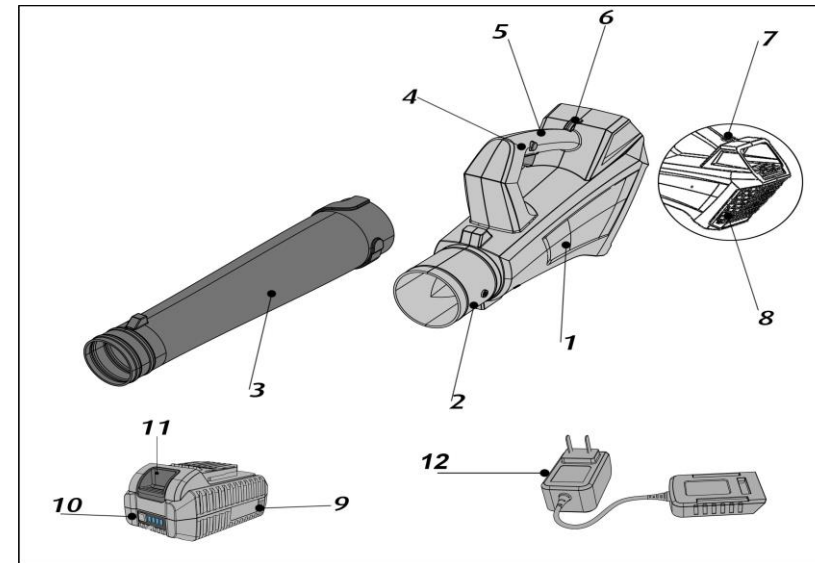
4. Under abusive conditions, liquid may be ejected from the battery; avoid contact. If you accidentally contact the battery liquid, flush it with water. If the battery liquid contacts the eyes, seek medical help as soon as possible. Liquid ejected from the battery may cause irritation or burns.

Service

Have your power tool serviced by a qualified repair professional using only the identical replacement parts.

This will ensure that the safety of the power tool is maintained.

MAJOR PARTS OF THE BLOWER



1. Housing

2. Connecting Piece

3. Blow Pipe

4. Switch

5. Handle

6. Fastening Loop

7. Insertion slot for battery

8. Ventilation openings

9. Battery (EB20)

10. LED state of charge indicator

11. Release button for battery

12. Battery charger (EBC05)

TECHNICAL SPECIFICATIONS

Tool	Leaf Blower
Model	E430D
Rated Voltage	40V DC
Max Air Volume	7 m ³ /min
Max Air Speed	39m/s
Weight (without EP40 battery pack)	4.19 lbs. (1.9 kg)
Sound pressure level	93.8 dB(A), K=3.0
Vibration Uncertainty K=1.5m/s²	<1.3m/s ²
Battery Pack	Lithium Ion – EB20
Battery Charger	EBC05

ASSEMBLY AND OPERATION

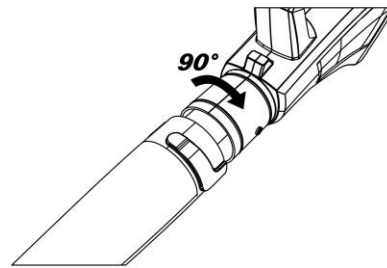
Assembling the blow pipe



GENERAL SAFETY WARNING #2!

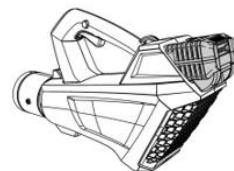
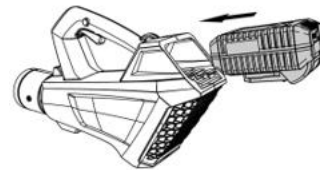
The blower tube can be installed on the blower without using any tools.

1. Slide the blower tube over the outlet on the blower housing.
2. Rotate the tube clockwise and match with the outlet fully.

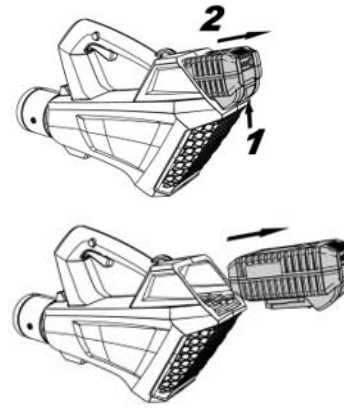


Installing and Removing the Battery Pack

1. Slide the battery cradle on the blower, aligning the ribs in the cradle with the slots in the battery until it latches into place. Check that the battery is securely locked into place.

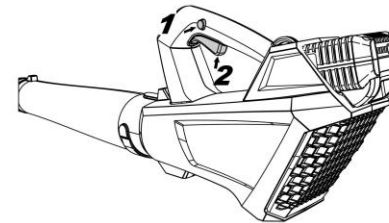


2. To remove the battery, press and hold the latch (1) on the rear of the battery pack and slide the battery away from the blower (2).



Starting/Stopping the Blower

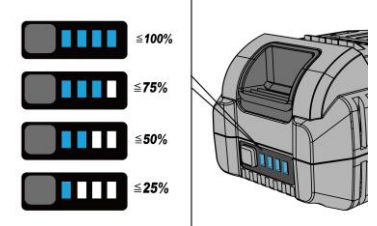
1. Hold the blower firmly and ensure that there are no persons (particularly children) or animals in the intermediate vicinity
2. Press and hold down the switch interlock (1).
3. Press the switch (2) for the blower to run.



4. Release either of the two switches for the blower to stop.

Battery state of charge

1. Press the button on the battery to check the state of charge at the state of charge indicator LEDs.

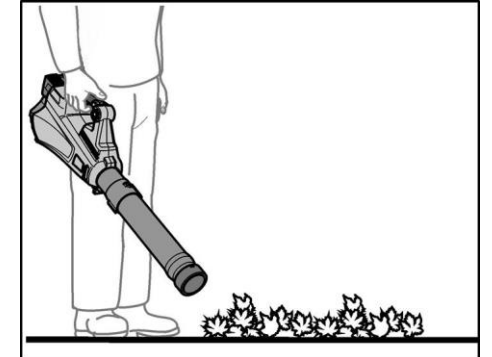


The indicator goes out after 3 seconds.

If the LED lights red, the battery must be recharged. If none of the LEDs light up after the button is pressed, the battery is faulty and must be replaced.

Work Instructions

1. Hold the blower unit in working position.



2. Hold the blow pipe several centimeters above the ground and make sweeping movements from side to side
3. Walk slowly forwards.
4. Keep the collected pile of refuse in front of you and blow around the outer edge.

MAINTENANCE AND CARE



WARNING!

1. Use rakes and brooms to loosen waste off the ground before blowing.
2. Moisten very dusty waste to prevent excessive dust.
3. Conserve drinking water by using power blowers instead of hoses.

Cleaning



WARNING!

Do not use water or liquid detergents.

1. Remove dirt and dust from the housing with a paintbrush and dry cloth.
2. Keep the ventilation slots clean and free of dust.

Storage

1. Store the unit in a dry and frost-free place (50-77 °F).
2. Store the battery and the unit separately.
3. Charge the battery before storing the unit in winter.
4. Keep the leaf blower, in particular its plastic components, away from flammable fluids, petroleum products, penetrating oil, etc. They contain chemical substances which may damage, attack or destroy the plastic components of the leaf blower.
5. Fertilizers and other garden chemicals contain substances which may have a highly corrosive effect on the metal parts of the leaf blower. Therefore do not store your leaf blower near these substances.

Repair

Check the unit for damage. Repairs may be earned out by an authorized customer service centre only.

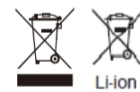
DISPOSAL INFORMATION



WARNING!

For EU countries only:

Do not throw electric power tools into the household waste! In accordance with the European Directive 2012/19/EC on Waste Electrical and Electronic Equipment and transposition into national law, used electric power tools must be collected separately and recycled in an environmentally friendly manner, same with devices, accessories, and packaging. Plastic parts are identified for recycling according to material type.



Do not open disused batteries. Accumulators/batteries should be collected, recycled or disposed of in an environmentally friendly manner, too.

For EU countries only:

In accordance with Directive 2006/66/EC defective or used batteries must be recycled.

Please ask your dealer about the disposal options!

GUARANTEE/WARRANTY

This product has been manufactured to the highest quality standards. When a new product is purchased, it is guaranteed a 24-month (leaf blower) and 12-month (battery) manufacturer's warranty which comes into force on the date the product was purchased.

The guarantee covers only the defects which can be attributed to a material and/or production fault as well as non-performance of warranted characteristics.

When making a claim under the guarantee, enclose the original sales receipt with purchase date. Repairs under the guarantee may be carried out only by workshops or service centers authorized by the manufacturer.

A claim may be made under the guarantee only if the power tool has been used as intended.

This warranty is invalid where defects are caused by or result from:

- misuse, abuse or neglect;
- commercial use (industry, craft, rental)
- repairs attempted by unauthorized repair centers
- damage caused by external effects, foreign objects, substances or accidents.