



40V LITHIUM-ION CORDLESS LAWN MOWER

Model: EB132CP



Operations Manual

TABLE OF CONTENTS

- Symbols.....2
- Safety Instructions.....3
- Technical Specifications.....6
- Parts List.....7
- Assembly and Operation.....8
- Tips on Lawn Care.....11
- Maintenance and Care.....11
- Disposal.....12
- Guarantee/Warranty.....13

SYMBOLS



General Safety Warnings.

1. After release the On/Off switch, the cutter bar continues running briefly. Risk of injury!
2. To protect against injury from the cutter blade, have a specialist garage perform all work such as replacing or regrinding the cutter blade (special tools required).
3. Before performing any maintenance and cleaning work on the garden tool, remove the battery.
4. Protect the battery contacts when the battery is not being



Before using the tool, read the operating manual. Read all safety warnings and all instructions including the currently valid site rules and regulations for the prevention of accidents. Failure to follow the warnings and instructions may result in electric shock, fire and/or serious injury.



Remove the safety key before carrying out any work on the unit and before leaving the unit.



Sharp cutting tool! Keep hands and feet away from the cutter bar! Wear protective gloves if possible.



Do not throw batteries and other electrical products into the household waste, fire, or water.



Recycle to protect the environment.



Do not expose to rain or wet conditions.



Protective goggles/visor, protective helmet & hearing protection.

used. Loose metal parts may short-circuit the contacts – Explosion and fire hazard!

Safety Instructions

User

This garden tool is not intended for use by persons (including children) with reduced physical, sensory or mental capabilities, or lack of experience and knowledge, unless they have been given supervision or instruction concerning use of the machine by a person responsible for their safety.

Never allow children or people unfamiliar with these instructions to use the garden tool. Supervise children. This will ensure that children do not play with the unit.

Intended Use

This garden tool is intended exclusively to mow lawns according to the descriptions and safety instructions indicated in this operating manual.

Any other use is not as intended. Improper use is not covered by the warranty and the manufacturer will reject any liability. The user is liable for all injuries to third parties and damage to their property.

Operate the unit only in the technical condition as stipulated and delivered by the manufacturer. Arbitrary changes to the unit will exclude the manufacturer from any liability for resulting injury and/or damage.



Preparation

1. Familiarize yourself with the unit and its functions as well as its controls.
2. Inspect the lawnmower before switching it on and check for signs of wear and damage. Never use the lawnmower with damaged or missing guards, e.g. dis-charge flap and/or grass catcher, housing, etc.
3. Have damage repaired by a qualified technician or the service centre.
4. Do not use a unit which has a defective switch and can no longer be switched on or off.
5. When working with or on the unit, always wear sturdy footwear and long trousers. Do not operate the unit when barefoot or wearing sandals.
6. Check the terrain on which the unit will be used and remove any stones, sticks, wires, bones and other foreign objects, which could be picked up by the unit, to avoid endangering people.

During Operation

1. Do not switch on the unit if there are persons (particularly children) or animals in the immediate vicinity.
2. Ensure that children do not play with the unit.
3. Interrupt working if you notice that persons (particularly children) or pets are nearby.
4. Working on steep slopes can be dangerous.
5. Ensure that you have a firm footing and mow slowly.
6. Always mow across the slope and not up and down.
7. Be particularly careful when changing direction. There is a risk of tripping!

8. Do not mow on steep slopes.
9. Be particularly careful when mowing backwards and pulling the lawnmower towards yourself.
10. Do not tilt the lawnmower when switching on the motor.
11. Maintain a safe distance as provided by the handle frame.
12. Do not switch on the motor until your feet are at a safe distance from the cutter bar.
13. Be careful and do not reach into the rotating cutter bar.
14. Switch the lawnmower off before tilting or transporting it, e.g. from/to lawn or over paths.
15. Never run over gravel while the motor is running. There is a risk of being hit by stones!
16. Before lifting or transporting the lawn-mower, switch the motor off, pull out the safety key and wait until the cutter bar has come to a standstill.
17. Do not adjust the cutting height until the motor has been switched off and the cutter bar has come to a standstill.
18. Never open the discharge flap while the motor is running.
19. Before removing the grass catcher, switch the motor off and wait until the cutter bar has come to a standstill. After emptying the grass catcher, carefully re-attach it and ensure that the grass catcher is attached securely to the lawnmower.
20. If possible, do not mow wet grass.
21. Do not work with the garden tool in a potentially explosive environment in which there are flammable liquids, gases or dust.
22. When interrupting work, never leave the unit unattended and keep it in a safe place.

For The Battery Charger

1. Do not place any objects on the battery charger and do not place the battery charger on soft surfaces.

2. Please read safety instructions for Li-ion batteries. There is a risk of explosion.
3. Liquid ejected from the battery may cause irritation or burns.
4. If other batteries are used, e.g. imitations, reconditioned batteries or third-party products, there is a risk of injuries as well as damage caused by exploding batteries.
5. A charger that is suitable for one type of battery pack may create a risk of fire when used with another battery pack. This may cause an internal short-circuit and the battery to burn, smoke, explode or overheat.

General Power Tool Safety Warnings



The term "power tool" in the warnings refers to your main-operated (corded) power tool or battery-operated (cordless) power tool.

Work Area Safety

1. **Keep work area clean and well lit.** Cluttered or dark areas invite accidents.
2. **Do not operate power tools in explosive atmospheres, such as in the presence of flammable liquids, gases, or dust.** Power tools create sparks which may ignite the dust or fumes.
3. **Keep children and bystanders away while operating a power tool.** Distractions can cause you to lose control.

Electrical Safety

1. **Power tool plugs must match the outlet. Never modify the plug in any way. Do not use any adapter plugs with earthed (grounded) power tools.** Unmodified

plugs and matching outlets will reduce the risk of electric shock.

2. **Avoid body contact with earthed or grounded surfaces, such as pipes, radiators, ranges and refrigerators.** There is an increased risk of electric shock if your body is earthed or grounded.



3. **Do not expose power tools to rain or wet conditions.** Water entering a power tool will increase the risk of electric shock.

4. **Do not abuse the cord. Never use the cord for carrying, pulling or unplugging the power tool. Keep the cord away from heat, oil, sharp edges or moving parts.** Damaged or entangled cords increase the risk of electric shock.

5. **When operating a power tool outdoors, use an extension cord suitable for outdoor use.** Use of a cord suitable for outdoor use reduces the risk of electric shock.

6. **If operating a power tool in a damp location is unavoidable, use a residual current device (RCD) protected supply.** Use of an RCD reduces the risk of electric shock.

Personal Safety

1. **Stay alert, watch what you are doing and use common sense when operating a power tool. Do not use a power tool while you are tired or under the influence of drugs, alcohol, or medication.** A moment of inattention while operating power tools may result in serious personal injury.
2. **Use personal protective equipment. Always wear eye protection.** Protective equipment such as dust mask, non-skid safety shoes, hard hat, or hearing protection used for appropriate conditions will reduce the risk of injury.



3. **Prevent unintentional starting. Ensure the switch is in the off-position before connecting to the power source and/or battery pack, picking up, or carrying the tool.** Carrying power tools with your finger on the switch or power tools that have been turned on invites accidents.

4. **Remove any adjusting key or wrench before turning the power tool on.** A wrench or a key left attached to a rotating part of the power tool may increase the risk of injury.

5. **Do not overreach. Keep proper footing and balance at all times.** This enables better control of the power tool in unexpected situations.

6. **Dress properly. Do not wear loose clothing or jewelry. Keep your hair, clothing and gloves away from moving parts.** Loose clothes, jewelry or long hair can be caught by moving parts.

7. **If devices are provided for the connection of dust extraction and collection facilities, ensure that these are connected and properly used.** Use of dust collection can reduce dust-related hazards.

Power Tool Use And Care

1. **Do not force the power tool. Use the correct power tool for your application.** The correct power tool will do the job better and safer at the rate for which it is designed.
2. **Do not use the power tool if it can't be turned on and off by its switch.** Any power tool that cannot be controlled with the switch is dangerous and must be repaired.
3. **Disconnect the plug from the power source and/or the battery pack from the power tool before making**

any adjustments, changing accessories, or before storing the power tool. Such preventive safety measure reduces the risk of starting the power tool accidentally.

4. **Store idle power tools out of reach of children and do not allow persons unfamiliar with the power tool or these instructions to operate it.** Power tools are dangerous in the hands of untrained users.

5. **Maintain the power tools. Check for misalignment or binding of moving parts, breakage of parts and any other condition that may affect the power tool's operation.** If damaged, have the power tool repaired before use. Many accidents are caused by poorly maintained power tools.

6. **Keep cutting tools sharp and clean.** Properly maintained cutting tools with sharp cutting edges are less likely to bind and are easier to control.

7. **Use the power tool, accessories and tool bits etc. in accordance with these instructions, taking into account the working conditions and the work to be performed.** Use of the power tool for operations different from those intended could result in a hazardous situation.

Battery Tool Use And Care

1. **Recharge only with the charger specified by the manufacturer.** A charger that is suitable for one type of battery pack may create a risk of fire when used with another battery pack.

2. **Use power tools only with specifically designated battery packs.** Use of any other battery packs may create a risk of injury and fire.

3. **When battery pack is not in use, keep it away from other metal objects like paper clips, coins, keys, nails, screws, or other small metal objects that can make a connection from one terminal to another.** Shorting the

battery terminals together may cause burns or fire.

4. **Under abusive conditions, liquid may be ejected from the battery; avoid contact.** If you accidentally contact the battery liquid, flush it with water. If the battery liquid contacts the eyes, seek medical help as soon as possible. Liquid ejected from the battery may cause irritation or burns.

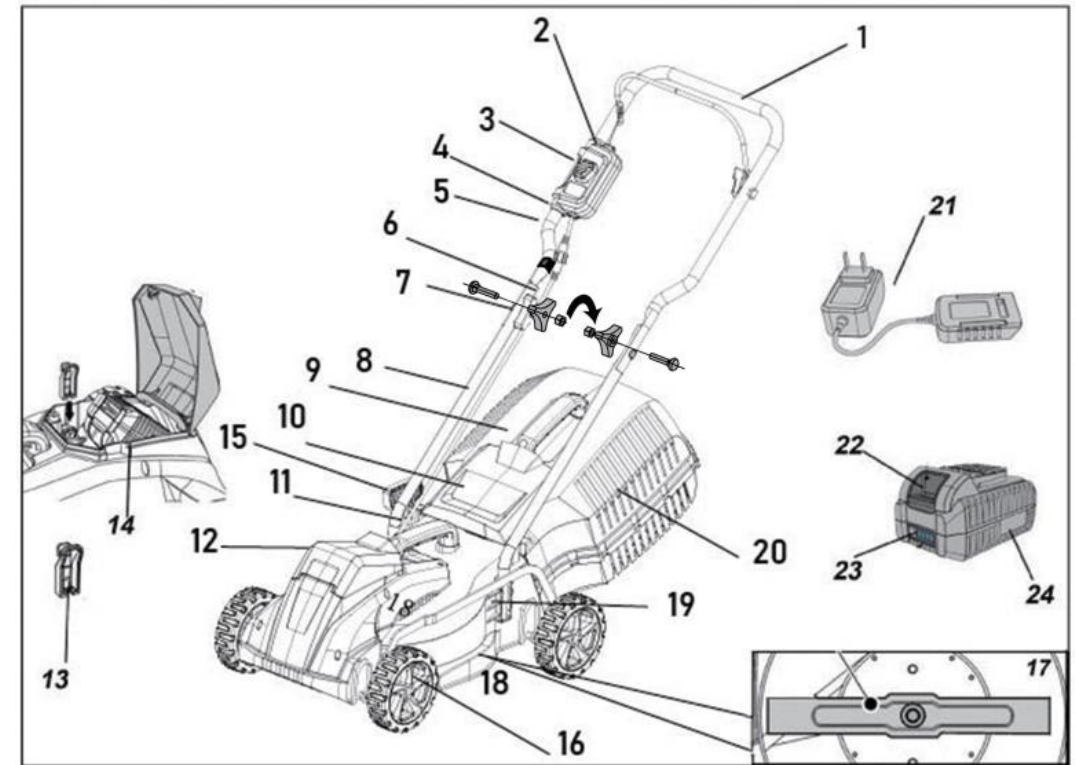
Service

Have your power tool serviced by a qualified repair professional using only the identical replacement parts. This will ensure that the safety of the power tool is maintained.

PRODUCT SPECIFICATIONS

Type	Lawnmower	
Model	E132C	
Nominal voltage	V	40
Cutting Width	inch	13
Cutting height	inch	0.80-2.60"
Capacity grass catcher	gal.	10
Idle speed	r.p.m.	3900
Sound power level L_{WA}	dB(A)	96
Weight (without battery)	Lbs	34.17
Battery (EB20)	Ah	2.0
Charger (EBC05)	V	40

PARTS LIST



- | | |
|---------------------------|-----------------------------------|
| 1. Handlebar | 13. Safety Key |
| 2. Switch | 14. Battery slot |
| 3. Switch interlock | 15. High adjust lever |
| 4. Switch conjunction box | 16. Wheel |
| 5. Upper handle | 17. Blade |
| 6. Cable | 18. Deck |
| 7. Handlebar knob | 19. Lower handle mount |
| 8. Lower handle | 20. Grass catcher |
| 9. Grass catcher handle | 21. Charger (EBC05) |
| 10. Rear flap | 22. Battery release button |
| 11. Handle | 23. LED state of charge indicator |
| 12. Battery Cover | 24. Battery (EB20) |

ASSEMBLY AND OPERATION

Before Initial Operation

Unpack the garden tool and accessories and check that no parts are missing or damaged.

NOTE: The batteries (optional; depending on delivery scope) are not fully charged on delivery. Prior to initial operation, charge the batteries fully. See user manual of the battery charger.

Safety Key



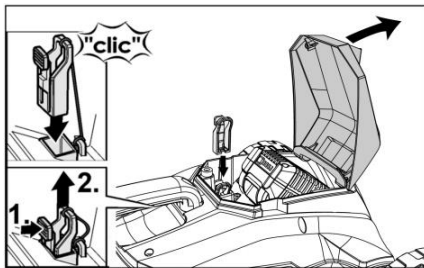
The unit has a security key. The key is located under the battery cover. By removing the key, the power supply to the motor is interrupted.

Remove the safety key:

- if the unit is left unattended;
- before checking, cleaning or performing other work on the unit;
- before removing blockages;
- if a foreign object is hit;
- if the unit starts vibrating excessively.

Check the lawnmower for damage, and have any damage repaired at a qualified technician or a service centre.

To remove the key, press the lock (1) and pull out the safety key (2).



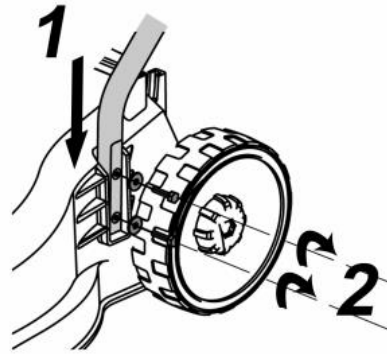
To insert the safety key, press down the key until it clicks.

Assembly

Attaching The Handle Bar

CAUTION: When collapsing or unfolding the handlebar, the cable may be damaged. Ensure that the cable is not kinked

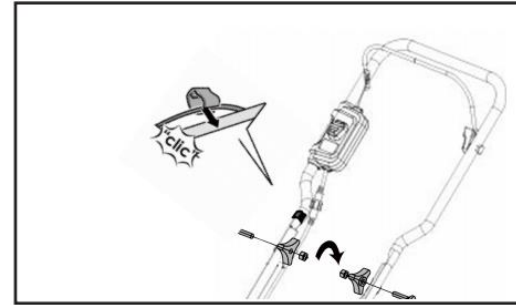
- Place the lower handle into the slot (1).
- Align the holes. Fasten the screws as illustrated (2).



- Place the upper handle on the lower handle.
- Attach the upper handle.
- Insert the threaded bolt through the holes on the upper handle and lower handle.
- Fasten the screws and knobs.

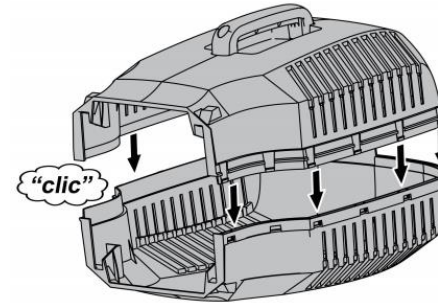


- Attach the cable with the cable clamp.



Assembling the Grass Catcher

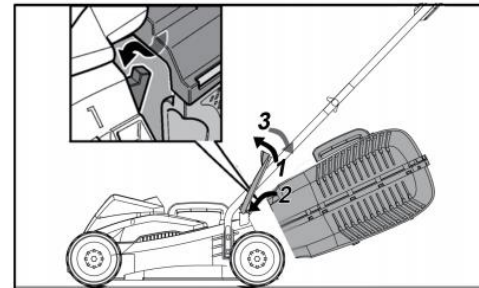
- Insert the two lower parts together until it clicks (1).



- Put on the upper part and press it together until it clicks. (3).

Attaching the Grass Catcher

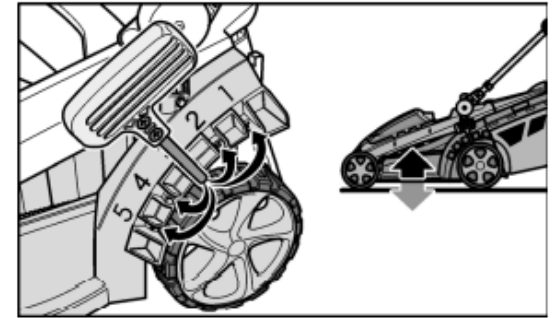
- Lift the discharge flap. (1).
- Remove the mulching plug.
- Hook the grass catcher bag into the lawnmower (2).
- Fold the discharge flap down again (3).



Adjusting the Cutting Height

The cutting height can be adjusted from 0.79" to 2.36".

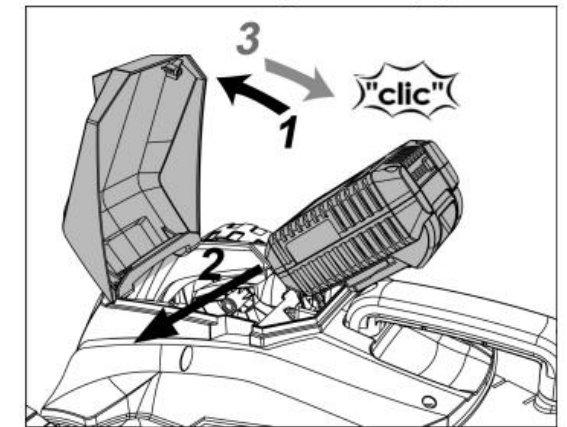
- Pull the handle outwards slightly.
- Set the required cutting height.
- Release the lever again.



Inserting/Replacing the Battery

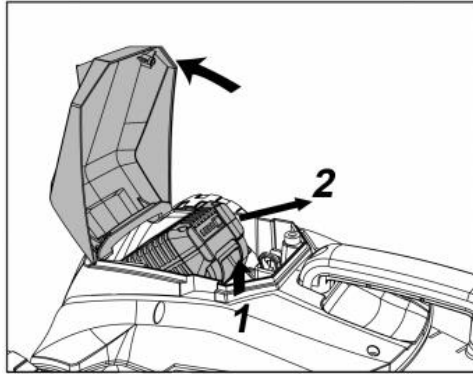
Ensure that the battery is fully charged before inserting it into the tool.

- Charging the battery as described in the user manual of the charger
- Open the battery cover (1).
- Press the charged battery into the power tool until it clicks into place (2).
- Close the battery cover (3).



Removing the Battery

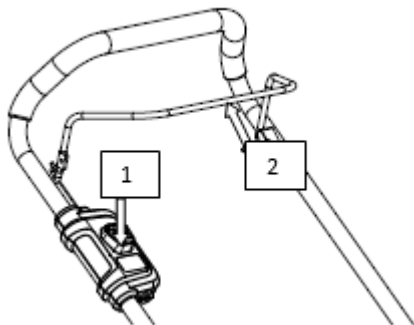
1. Press the release button (1).
2. Pull out the battery (2).



CAUTION: Protect the battery contacts when the battery is not being used. Loose metal parts may short-circuit the contacts – **Explosion and fire hazard!**

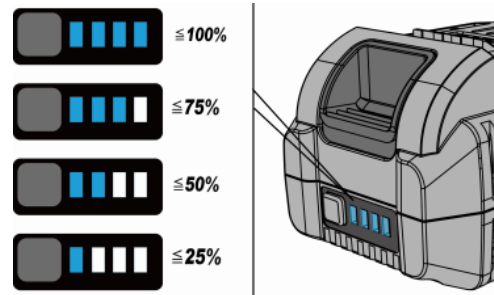
Switching the Power Tool On

1. Press the switch interlock and hold down (1).
2. Pull back On/Off switch towards the handle (2) for the motor to run.
3. Switch of the mower by releasing the handle (2) for the motor to stop.



Battery state of charge

1. Press the button to check the state of charge indicator LED.



The indicator goes out after 3 seconds. If the LED lights red, the battery must be recharged. If the LED doesn't light up after the button is pressed, then the battery must be faulty and should be replaced.

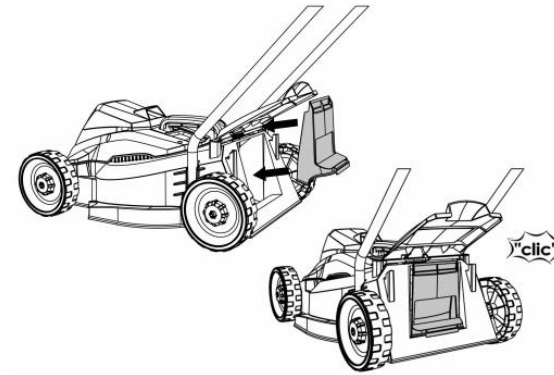
Removing and Emptying the Grass Catcher

Please check the grass catcher regularly. When it's full, please take off the grass catcher and empty it.

1. Switch the motor off.
2. Wait until the cutter bar stops.
3. Lift the discharge flap.
4. Remove the grass catcher.
6. Lower the discharge flap down again.
7. Empty the grass catcher.
8. Before hooking, remove any obstructions from the cutting area.

Working Without the Grass Catcher

When working without the grass catcher, the mowed grass is ejected directly downwards.



Charging the Battery

1. Plug the charger into an AC outlet 100-250V (normal household voltage).
2. Insert the battery into the slots of the charger and slide into place until the battery locks into place
3. The LED will flash green while the battery is charging.
 - Once the battery is fully charged, the LED indicator will show a steady green light.
 - Remove the battery by pressing and holding the latch button and sliding out of the charger. Lithium-ion batteries have no memory effect – a partial charge will not damage your battery.

TIPS ON LAWN CARE

Here are some tips to help you keep your lawn looking healthy and ensure uniform growth:

Lawns consist of various grass types. Frequent mowing promotes the growth of grass, resulting in strong roots and

a firm sward. If you seldom cut the grass, you will enhance the development of high-growing types of grass and other weeds, such as clover, daisies). The normal height of a lawn is approx. 4–5 cm. Only one third of the total height should be mown; therefore cut 7–8 cm long grass to normal height.

MAINTENANCE AND CARE



1. Switch the unit off, remove the safety key and remove the battery from the mower then place the unit in a safe location.
2. Do not keep the unit within the reach of children.
3. Ensure that the ventilation slots in the unit are clean.
4. Keep all nuts, bolts and screws tight to be sure that the lawnmower is in safe working condition.
5. Check the grass catcher frequently for wear or damages.
6. Use only the cutter bar, which are intended for this lawnmower.
7. Please follow the supplied installation instructions and remove the battery beforehand.
8. Have repairs carried out exclusively by a qualified technician or at a service center.

Cleaning

Lawn Mower

1. Do not use water or liquid detergents.
2. Whenever possible, always clean the unit directly after mowing.
3. Remove the battery.

4. Remove the grass catcher.
5. After mowing, always clean the lawnmower with a hand brush.
6. Remove grass residues carefully out of the cutting area. Remove stuck clipping deposits using a stick.
7. Keep the ventilation slits clean and dust-free.

Grass Catcher

1. For thorough cleaning, the grass catcher can be cleaned with a hose.
2. To ensure that the level indicator functions correctly, regularly clean the area under the level indicator on the inside of the grass catcher with a hand brush.

Storage

1. Remove the safety key and remove the battery from the mower before storing
2. Store the unit in a dry and frost-free place (50-77 °F).
3. Store the battery and the unit separately.
4. Charge the battery before storing the unit in winter.
5. Keep the unit, in particular its plastic components, away from brake fluids, petrol, petroleum products, penetrating oil, etc. They contain chemical substances which may damage, attack or destroy the plastic components of the unit.

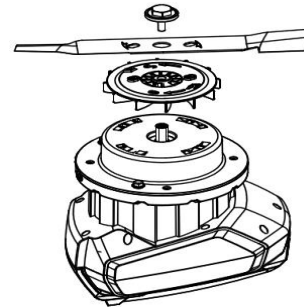
Folding the Lawn Mower

The handle bar can be folded down to facilitate storage and transport. Loosen the screws of triangle knob on the upper handle and move the handle downwards .

Replacing/Regrinding The Cutter Blade



GENERAL SAFETY WARNING #2!



Spare parts must conform with the requirements specified by the manufacturer. Therefore use original spare parts only or spare parts authorized by the manufacturer.

Repair

Check the unit for damage. Repairs may be earned out by an authorized customer service centre only.

DISPOSAL INFORMATION



Recycle raw materials instead of disposing the wastes. Device, accessories and packaging should be recycled in an environmentally friendly manner. Plastic parts are identified for recycling according to material type.

For EU countries only:

Do not throw electric power tools into the household waste! In accordance with the European Directive 2012/19/EC on Waste Electrical and Electronic Equipment and transposition into national law, used electric power tools must be collected

separately and recycled in an environmentally friendly manner.

GUARANTEE/WARRANTY

This product has been manufactured to the highest quality standards. When a new product is purchased, it is guaranteed a 24-month (lawnmower) and 12-month (battery) manufacturer's warranty which comes into force on the date the product was purchased.

The guarantee covers only the defects which can be attributed to a material and/or production fault as well as nonperformance of warranted characteristics.

When making a claim under the guarantee, enclose the original sales receipt with purchase date. Repairs under the guarantee may be carried out only by workshops or service centres authorised by the manufacturer.

A claim may be made under the guarantee only if the power tool has been used as intended.

This warranty is invalid where defects are caused by or result from:

- misuse, abuse or neglect;
- commercial use (industry, craft, rental)
- repairs attempted by unauthorized repair centers
- damage caused by external effects, foreign objects, substances or accidents.