

Specification: (example)

□ 55P1513

- 203mm (8") **heavy-duty cast brass** wallmount pre-rinse faucet
- Integral check stops
- Polished chrome plated finish
- Tuf-Teck institutional structures
- ADA compliant, color-indexed, 76mm (3.0") metal lever blade handles
- 3/8" IPS rigid riser, heavy-duty gooseneck spring, 1118mm (44") stainless steel clad high pressure rubber hose
- Spray head, self-closing, insulated stop valve, spray head hook.
- (LESS wall bracket, LESS thin wall installation kit, LESS water/energy saving sprayplate).

□ 55P1000

- 305mm (12") adjustable length Riser wall bracket, thick wall extension pipe, **vibration resistant** compression connector, polished chrome plated finish.



55P1000



55P1513


Engineer/Architect Approval

Model Specified:

Approval:

Date:

STANDARD PRODUCT FEATURES

- **SANITARY** Easy Clean Design
- **POLISHED**, Chrome Plated, **Heavy-Duty Cast Body**
- TUF-TECK Institutional Structures
- **INTEGRAL CHECK STOPS** to prevent cross-flow
- 76mm (3") **ADA compliant** metal lever blade handles  require less than 5 lbs. operating force.
- **VANDAL RESISTANT** Handle Screws
- **COLOR** Indexed Handles

STANDARD PRE-RINSE FEATURES

- Heat Treated **Heavy Duty**, Triple Chrome Plated Gooseneck Riser Spring insures convenient hose position
- Three ply, Nylon reinforced, **High Pressure RUBBER HOSE TESTED TO 400 PSI**, 1118mm (44") long
- **HEAVY-DUTY**, Triple Chrome Plated **Stress Relief Spring** transfers load stress, distributing it evenly over an extended area, **significantly improving hose life.**
- Protective, Flexible **Stainless Steel Hose Shield.**
- **High Impact Thermoplastic Insulated** Handle Grip to Protect against Abuse
- Comfortable Handle Design and Variable Waterflow with **Dirt Lifting Force**
- **Thermoplastic Reinforced**, One-Piece, non-marking, dish sensitive, impact resistant **Bumper/Spray Faceplate will not fatigue under extreme high temperatures**
- **Powerful high volume Spray Head Standard.**
- Slip-On Handle Ring Holds Valve in **Full Open Operation**
- CP Brass **Sprayhead Hook**
- Rigid, 3/8" IP Size, .090" Wall, **HEAVY DUTY Riser**

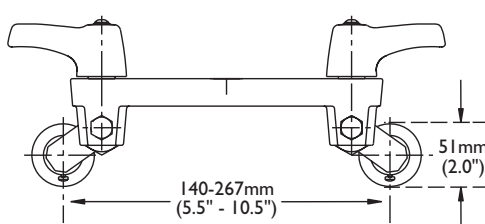
Refer to www.specselectonline.com for individual models.

Approvals:

- CSA certified
- Complies to ASME A112.18.1
- Lever Blade Handle
ADA Compliant and meets
Handicapped Accessibility Standard ASME A117.1
of less than 5 lbs. operating force.
- IAPMO listed

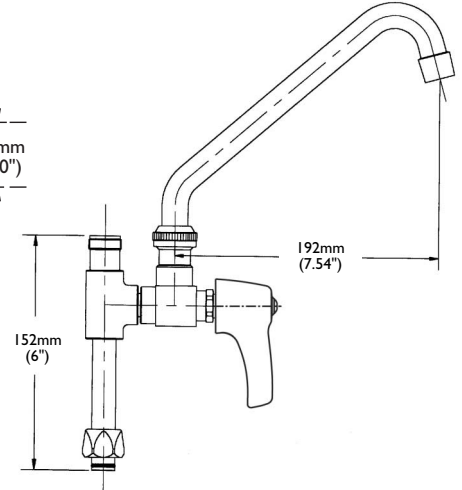
(Contact Delta Representative for State and/or Local Approvals.)

**Wallmount Faucet
ADJUSTABLE CENTERS**
 ADD Suffix "AC" to Product Number

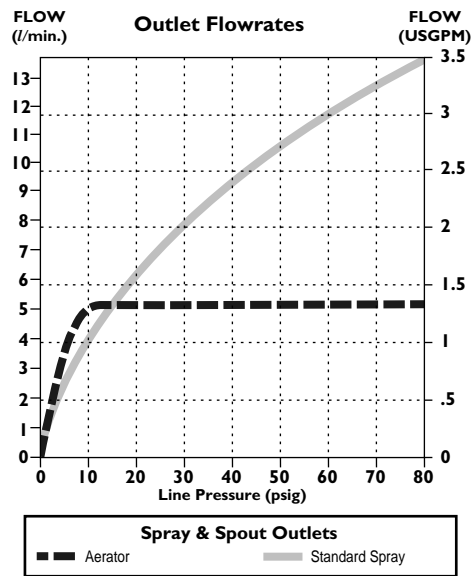


**ADD-ON FAUCET
Outlet Option No. 8**

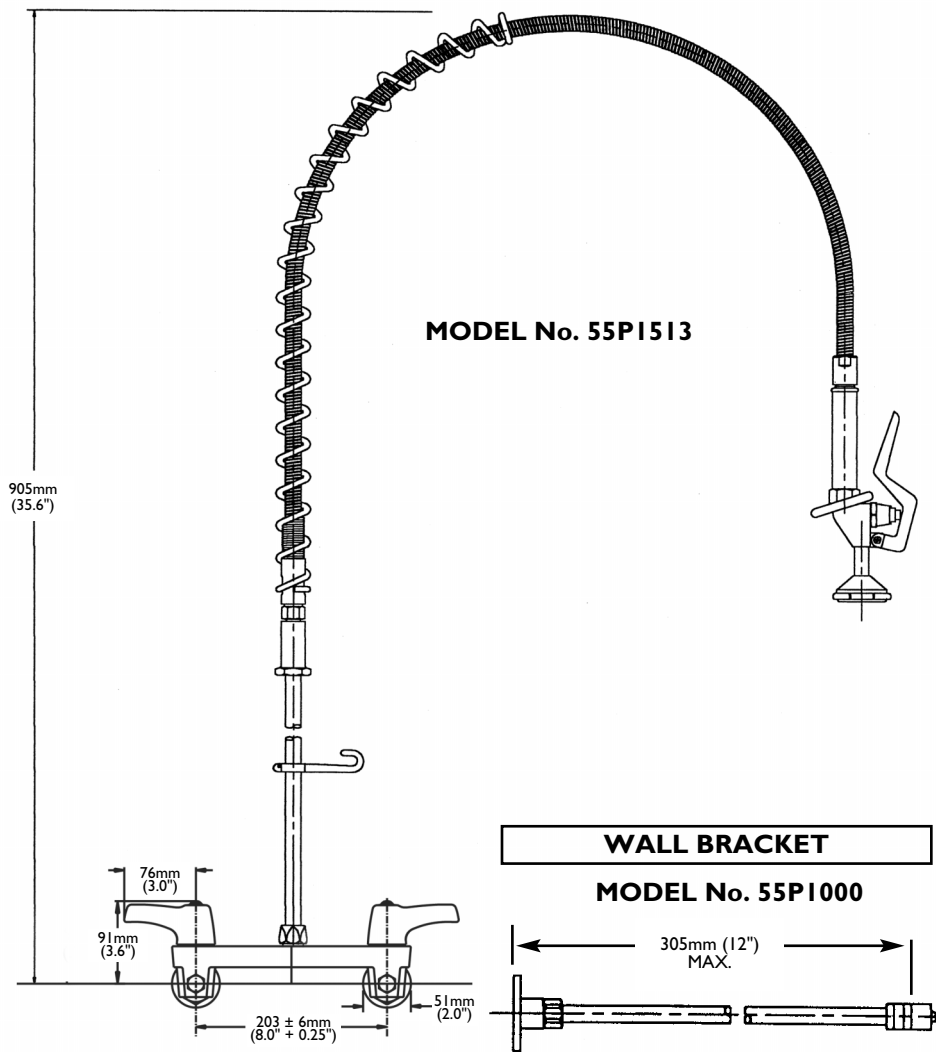
MODEL No. 55T1090
Will add 152mm (6") to overall height
See Page 9.C.2 for Optional Spouts



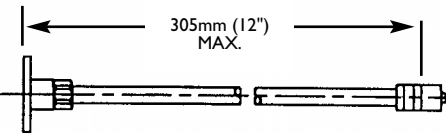
FLOWRATE vs PRESSURE



INLETS - 1/2" FIP/MIP
Note: Measurements may vary ± 6mm (0.25")



**WALL BRACKET
MODEL No. 55PI000**



Refer to www.specselectonline.com for individual models.