

Push Button Electronic Shower 860T and 861T

TECK®
COMMERCIAL



Specification: (example)

- Push button electronic shower system
 - **Hardwire** – 24 VAC to 6 VDC or **Battery** – 4AA 6 VDC
 - Stainless steel cover with S/S vandal resistant mounting screws
 - Metal mounting box
 - Field adjustable shower time
 - Slow closing solenoid valve
 - Integral stop
 - Tempered water supplied to solenoid valve (except control box options No. 3 and 6)
- and... with... (add shower required)
with... (add control/sensor box required)
with... (transformer - specify separately - See Back Page)



860T167

Engineer/Architect Approval




Model Specified:

Approval:

Date:

| DESCRIPTION | PRODUCT NO. | | |
|------------------------------|-------------|--|-----|
| Hardwire | 860T1 | | |
| Battery Operated | 861T1 | | |
| Hardwire with Battery Backup | 860T1 | | -BB |



| | SHOWER | SENSOR |
|----------------------------|---|---|
| 0 <input type="checkbox"/> | Specify "0" when no shower required. <input type="checkbox"/> | 0 <input type="checkbox"/> |
| 1 <input type="checkbox"/> | 1 <input type="checkbox"/> | 1 <input type="checkbox"/> |
| 2 <input type="checkbox"/> | 2 <input type="checkbox"/> | 2 <input type="checkbox"/> |
| 3 <input type="checkbox"/> | 3 Touch-Clean Showerhead, Arm & Flange 2.5 USGPM (9.5 L/min)  <input type="checkbox"/> | 3 Recessed Mount with 8" Box* SEE Specification Drawing #20 <input type="checkbox"/> |
| 4 <input type="checkbox"/> | 4 <input type="checkbox"/> | 4 <input type="checkbox"/> |
| 5 <input type="checkbox"/> | 5 Handshower, 610mm (24") Combination S/S Slide/Grab Bar 2.5 USGPM (9.5 L/min)  <input type="checkbox"/> | 5 <input type="checkbox"/> |
| 6 <input type="checkbox"/> | 6 30° Vandal Resistant, Cast Flow Control Wallmount Showerhead 2.0 USGPM (7.6 L/min)  <input type="checkbox"/> | 6 Components only UNASSEMBLED 4" Box* SEE Specification Drawing #21 <input type="checkbox"/> |
| 7 <input type="checkbox"/> | 7 <input type="checkbox"/> | 7 Recessed Mount with 10" Box and Pressure Balance Mixing Valve SEE Specification Drawing #22 <input type="checkbox"/> |
| 8 <input type="checkbox"/> | 8 <input type="checkbox"/> | 8 Recessed Mount with 10" Box and Thermostatic Mixing Valve. SEE Specification Drawing #23 <input type="checkbox"/> |
| 9 <input type="checkbox"/> | 9 <input type="checkbox"/> | 9 <input type="checkbox"/> |

* **Mixing Valve** supplied by others.
Refer to www.specselect.com for individual models.

Note: Use this page front and back, with specification drawing page referenced above, as product submittal sheets. Flowrates are at 80 PSI.



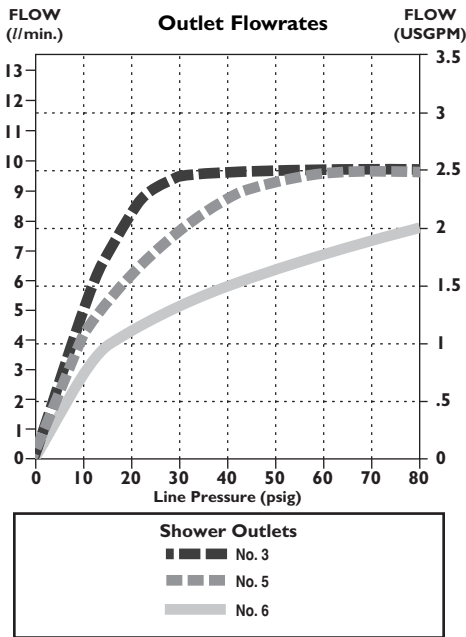
TECK[®]
COMMERCIAL

Push Button Electronic Shower 860T and 861T

Approvals:

- ASME A112.18.1 / CSA B125.1
 - Indicates ADA compliance to ICC / ANSI A117.1/ADA.
 - IAPMO listed
 - CSA certified
 - Control/Sensor Box Option 7, Pressure Balancing Valve, meets ASSE 1016
 - Control/Sensor Box Option 8 Thermostatic Mixing Valve, CSA certified and meets ASSE 1016, 1017, 1070
- (Contact Delta Representative for State and/or Local Approvals.)

FLOWRATE vs PRESSURE

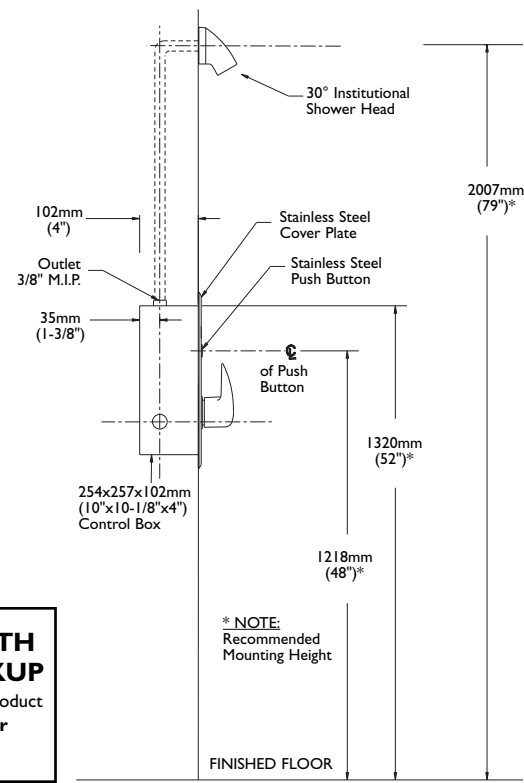
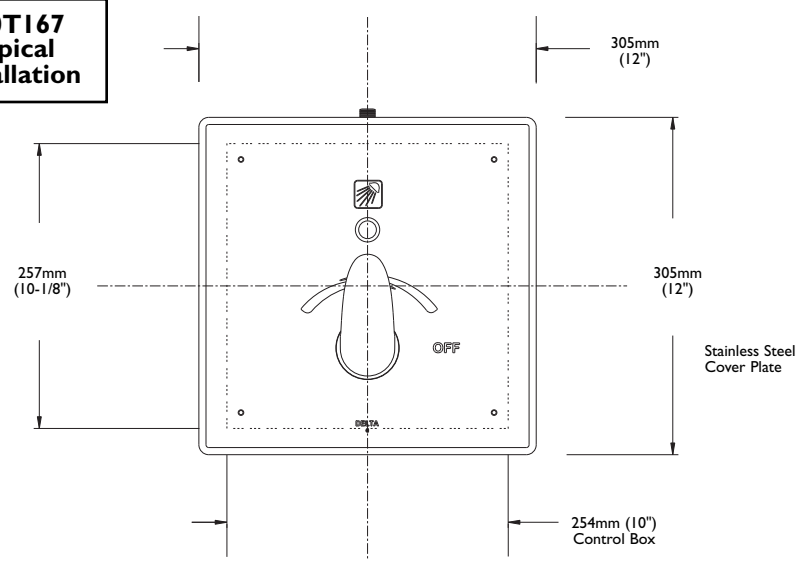


OPERATION:

- Shower flows when push button is activated.
- Adjustable maximum continuous run time 10 minutes.
- Factory set to 3 minutes.

NOTE: For optimum performance of this product, we recommend a system pressure between 20 and 80 PSI static. This product will operate up to a maximum of 125 PSI static per ANSI and CSA requirements. However, we do not recommend pressures above 80 PSI. Thermal expansion or leaking pressure reducing valves may require use of expansion tanks or relief valves to ensure your system never exceeds its maximum intended pressure setting.

**860T167
Typical
Installation**



HARDWIRE WITH BATTERY BACKUP
 Add suffix "-BB" to Product Number. See DSP-BB for detailed specification.

PRODUCT SUPPLIED AS SHOWN BY SOLID LINES. ALL ITEMS SHOWN BY DOTTED LINES SUPPLIED BY OTHERS.

860T & 861T ELECTRONIC SHOWER OPTIONAL ACCESSORIES:

| ✓ | TRANSFORMERS: |
|---|--|
| | 060704A 110 to 24VAC Class II 20VA (Up to 5 Electronic Valves) |
| | 060771A 110 to 24VAC Class II 40VA (Up to 10 Electronic Valves) |
| | 060772A 110 to 24VAC Class II 100VA (Up to 25 Electronic Valves) |
| ✓ | CORDS: |
| | 060901A 12" Solenoid Extension Cord |
| | 060902A 36" Solenoid Extension Cord |

Refer to www.specselect.com for individual models. Product supplied as shown by solid lines. All items shown by dotted lines supplied by others.

TEMPERED WATER – ASSEMBLED CONTROL BOX

860T AND 861T SERIES

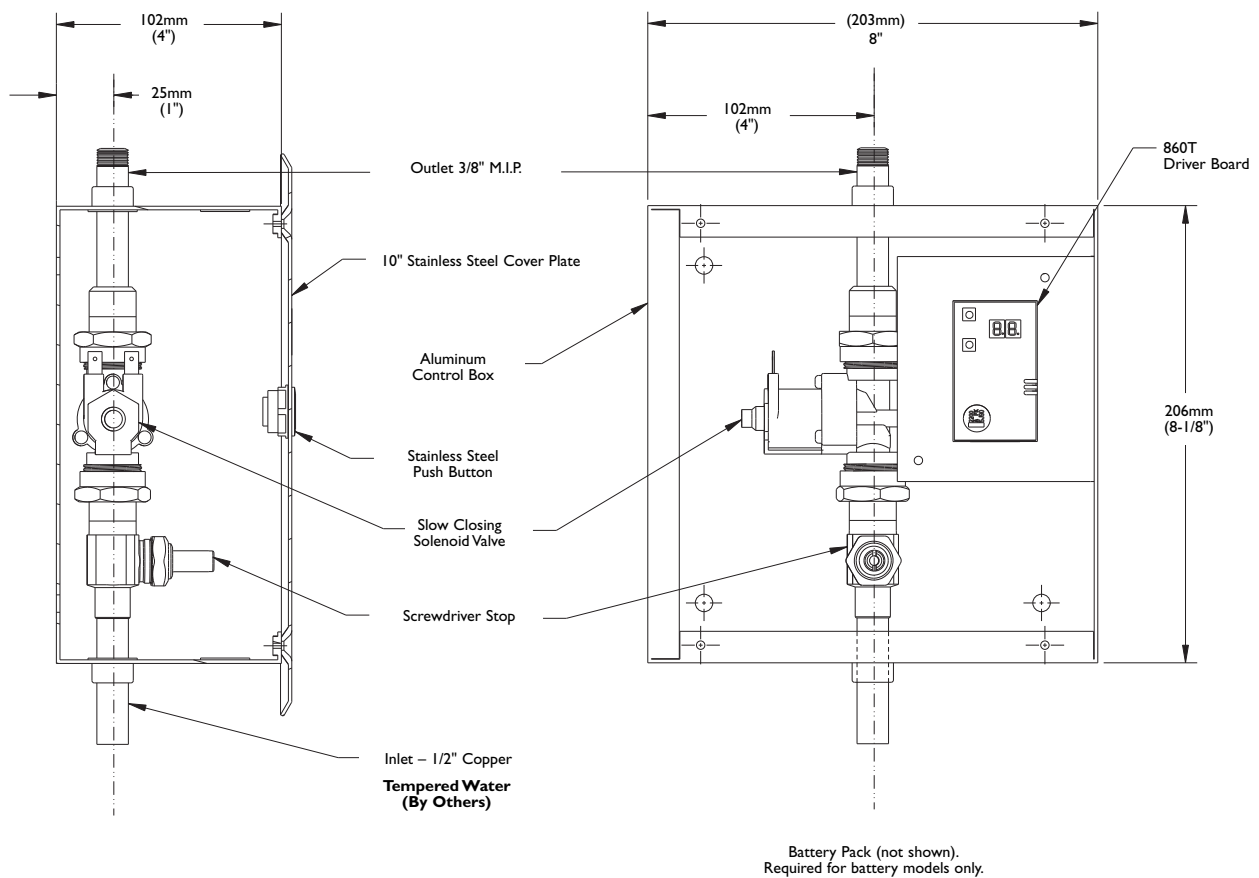
| ✓ | PRODUCT NO. | VALVE TYPE | MOUNT TYPE | COVER |
|---|-------------|------------|-------------------------------------|-----------------------------|
| | 860TI | 3 | Push Button Shower Valve – Hardwire | 254mm (10") Stainless Steel |
| | 861TI | 3 | Push Button Shower Valve – Battery | 254mm (10") Stainless Steel |

860T and 861T SERIES

Battery Operated – Batteries and battery pack supplied.

Hardwire Version comes complete with Watertight Connector and Hardwire Converter 24VAC to 6VDC.

Hardwire with Battery Backup (-BB) comes complete with Watertight Connector, Hardwire Converter 24VAC to 6VDC and 9V battery. See **DSP-BB**.



Note: Measurements may vary $\pm 6\text{mm}$ (0.25")

COMPONENTS ONLY UNASSEMBLED

860T AND 861T SERIES

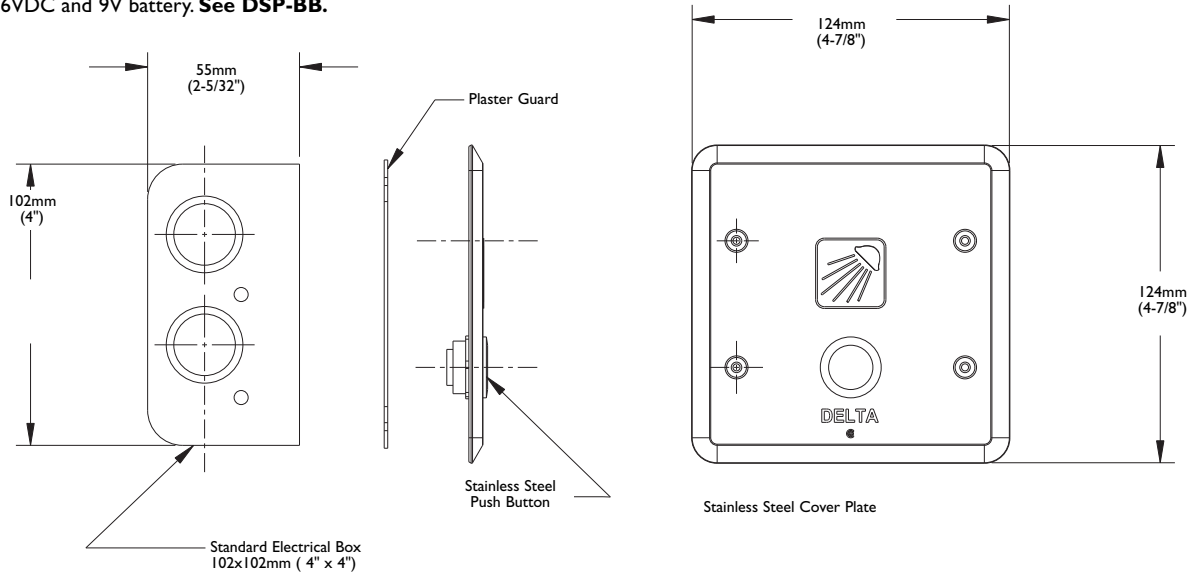
| ✓ | PRODUCT NO. | VALVE TYPE | MOUNT TYPE | COVER | |
|---|-------------|------------|-------------------------------------|----------------|--------------------------------|
| | 860TI | 6 | Push Button Shower Valve – Hardwire | Recessed Mount | 124mm (4-7/8") Stainless Steel |
| | 861TI | 6 | Push Button Shower Valve – Battery | Recessed Mount | 124mm (4-7/8") Stainless Steel |

860T AND 861T SERIES

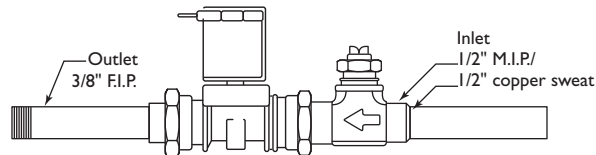
Battery Operated – Batteries and battery pack supplied.

Hardwire Version comes complete with Watertight Connector and Hardwire Converter 24VAC to 6VDC.

Hardwire with Battery Backup (-BB) comes complete with Watertight Connector, Hardwire Converter 24VAC to 6VDC and 9V battery. See **DSP-BB**.



Battery Pack (not shown).
Required for battery models only.



Tempered Water
(By Others)

Note: Measurements may vary ± 6mm (0.25")

PRESSURE BALANCING MIXING VALVE ASSEMBLED CONTROL BOX

860T AND 861T SERIES

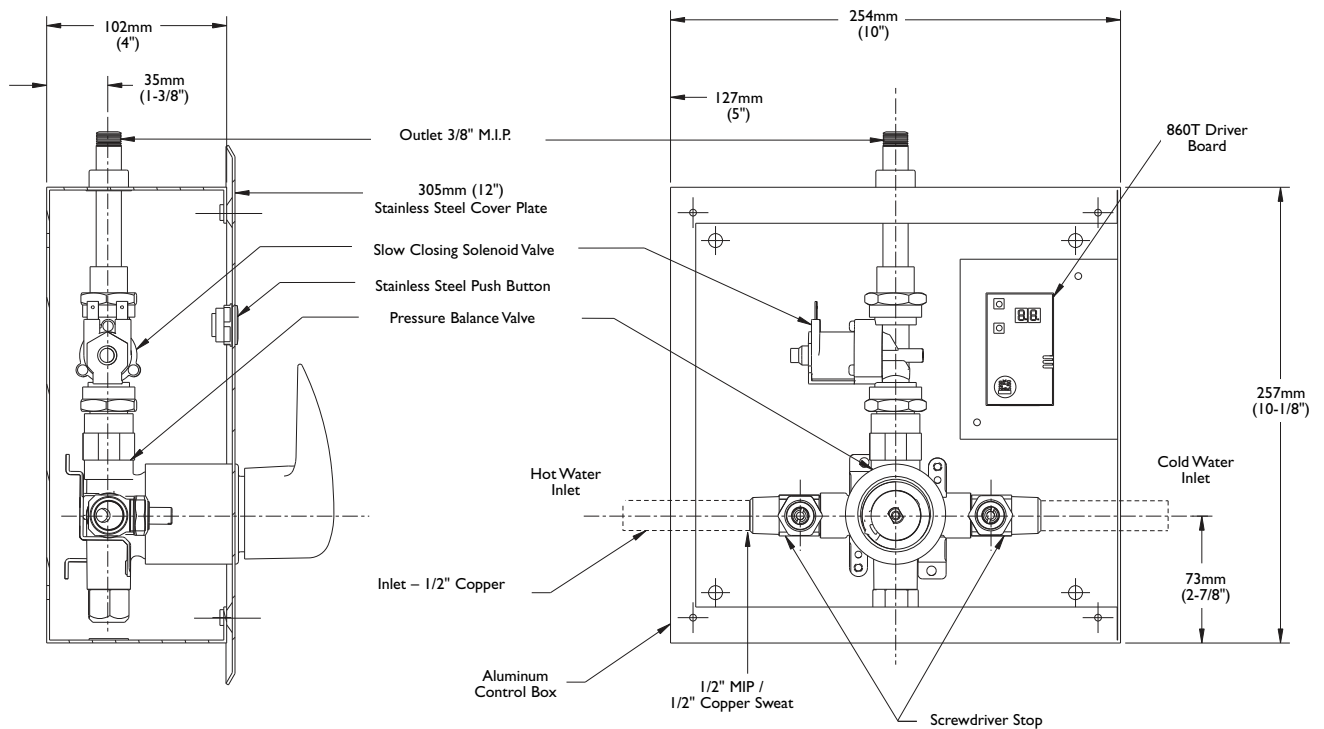
| ✓ | PRODUCT NO. | VALVE TYPE | MOUNT TYPE | COVER |
|---|-------------|------------|-------------------------------------|-----------------------------|
| | 860TI | 7 | Push Button Shower Valve – Hardwire | 305mm (12") Stainless Steel |
| | 861TI | 7 | Push Button Shower Valve – Battery | 305mm (12") Stainless Steel |

860T AND 861T SERIES

Battery Operated – Batteries and battery pack supplied.

Hardwire Version comes complete with Watertight Connector and Hardwire Converter 24VAC to 6VDC.

Hardwire with Battery Backup (-BB) comes complete with Watertight Connector, Hardwire Converter 24VAC to 6VDC and 9V battery. See **DSP-BB**.



PIPING SHOWN WITH DOTTED LINES SUPPLIED BY OTHERS.

Battery Pack (not shown).
Required for battery models only.

Note: Measurements may vary ± 6mm (0.25")

THERMOSTATIC BALANCING MIXING VALVE ASSEMBLED CONTROL BOX

860T AND 861T SERIES

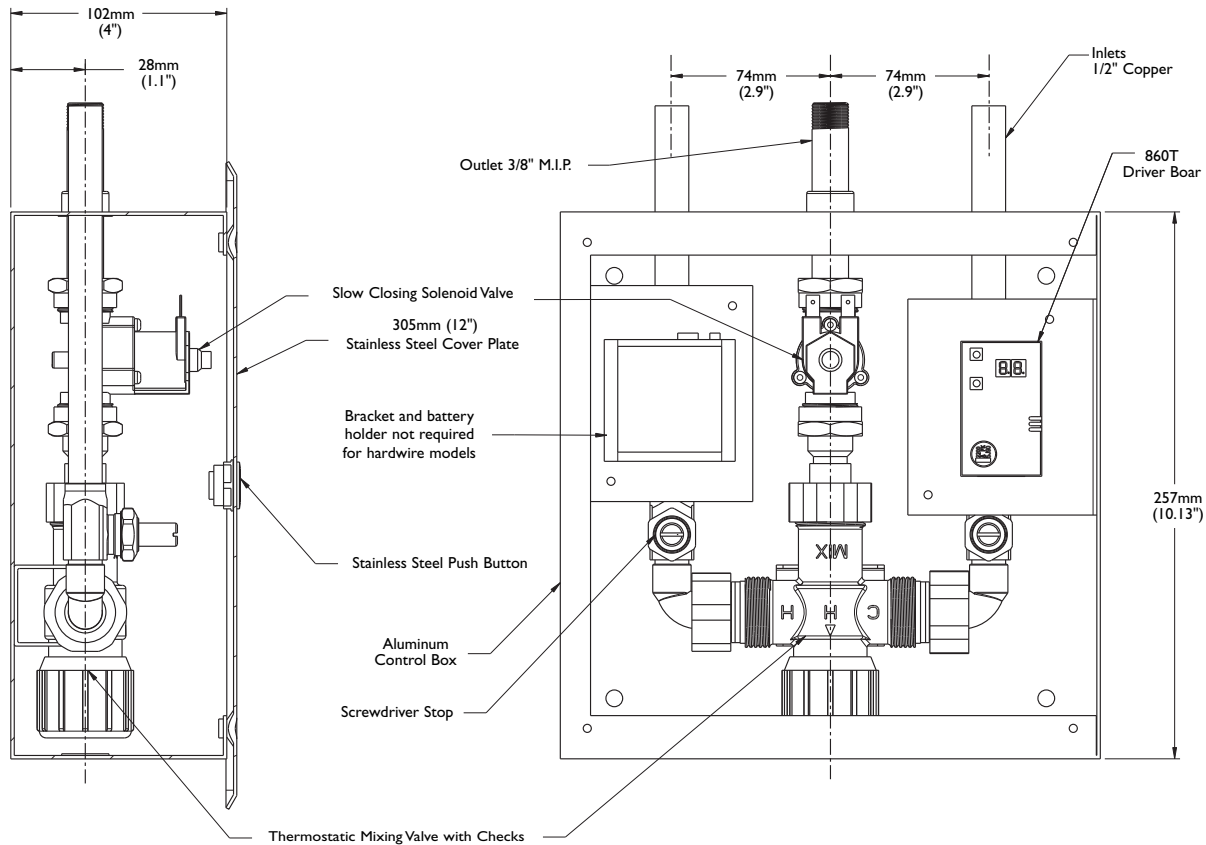
| ✓ | PRODUCT NO. | | VALVE TYPE | MOUNT TYPE | COVER |
|---|-------------|---|-------------------------------------|----------------|-----------------------------|
| | 860TI | 8 | Push Button Shower Valve – Hardwire | Recessed Mount | 305mm (12") Stainless Steel |
| | 861TI | 8 | Push Button Shower Valve – Battery | Recessed Mount | 305mm (12") Stainless Steel |

860T AND 861T SERIES

Battery Operated – Batteries and battery pack supplied.

Hardwire Version comes complete with Watertight Connector and Hardwire Converter 24VAC to 6VDC.

Hardwire with Battery Backup (-BB) comes complete with Watertight Connector, Hardwire Converter 24VAC to 6VDC and 9V battery. See **DSP-BB**.



Note: Measurements may vary $\pm 6\text{mm}$ (0.25")