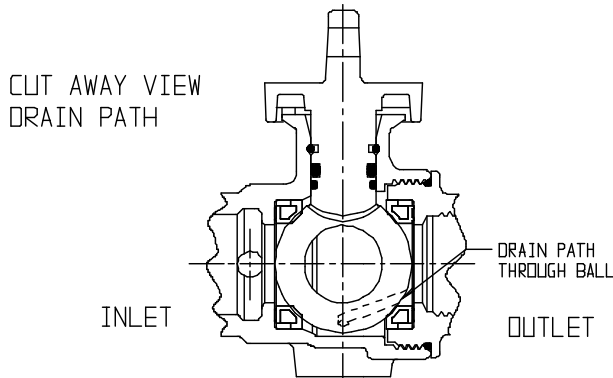


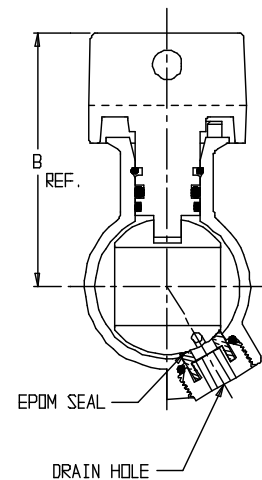
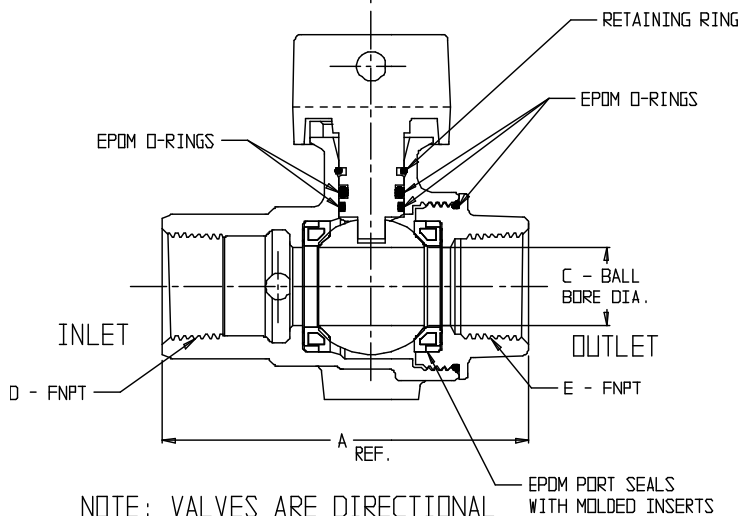
SUBMITTAL DATA SHEET

NL Stop and Waste Ball Curb Stop – 76001

FNPT x FNPT



MODEL	SIZE	A	B	C	D	E
76001	3/4	3.51	2.42	.75	3/4	3/4
76001	3/4 X 3.31	3.31	2.42	.75	3/4	3/4
76001	1	3.65	2.65	1.00	1	1
76001	1 X 4.88	4.88	2.65	1.00	1	1
76001	1 1/4	4.94	2.94	1.25	1 1/4	1 1/4
76001	1 1/2	4.88	3.40	1.50	1 1/2	1 1/2
76001	2	5.29	3.71	2.00	2	2



NOTE: VALVES ARE DIRECTIONAL

SUBMITTAL INFORMATION

- Manufactured in compliance with ANSI/AWWA C800 (latest revision)
- Brass components in contact with potable water conform to ASTM B584, UNS C89833 (latest revision) and identified with "NL"
- Certified to NSF/ANSI 61 and NSF/ANSI 372
- Brass components not in contact with potable water conform to ASTM B62 and ASTM B584, UNS C83600 -85-5-5-5 (latest revision)
- PTFE coated brass ball
- Rated for 150 PSIG water pressure with cast directional arrow
- Blow out proof EPDM port seals
- Joints sealed with EPDM o-rings and thread locker



A.Y. McDonald Mfg. CO.
P.O. Box 508
Dubuque, IA 52004-508

Toll Free: 1-800-292-2737
Fax: 1-800-832-9296
Hours: 7:00 a.m. – 5:00 p.m., CST

sales@aymcdonald.com
www.aymcdonald.com

A.Y. McDonald considers the information on this assembly drawing correct when published. Item and option availability, including specifications, are subject to change without notice.

Submitted by: