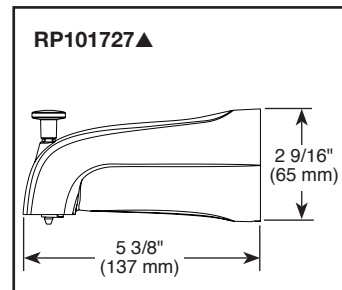
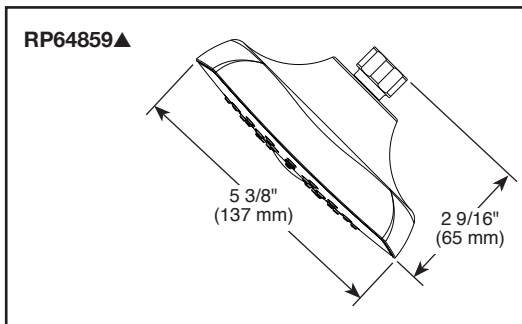
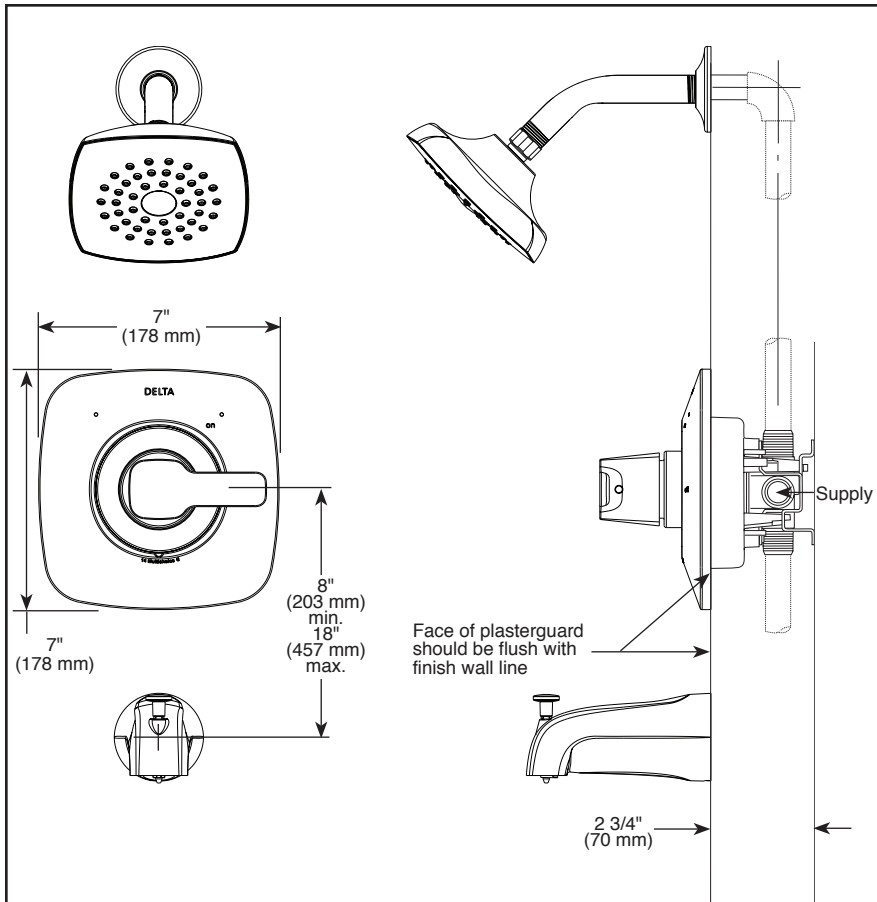


Submitted Model No.: \_\_\_\_\_

Specific Features: \_\_\_\_\_



▲ Designate Proper Finish Suffix



see what Delta can do™

# TUB & SHOWER FAUCET TRIM

- Transitional Modern
- Valve Only Trim (T140339-PP)
- Shower Only Trim (T142339-PP)
- Tub/Shower Trim (T144339-PP)
- Shower Only Trim – Less Showerhead (T142339-LHD-PP)
- Tub/Shower Trim – Less Showerhead (T144339-LHD-PP)

## STANDARD SPECIFICATIONS

- Single handle pressure balanced tub and shower mixing valve
- Maintains a balanced pressure of hot and cold water even when a valve is turned on or off elsewhere in the system
- For use with MultiChoice® Universal rough valve body – NOT INCLUDED AND MUST BE ORDERED SEPARATELY (R10000 Series)
- Back-to-back installation capability
- Field adjustable means to limit handle rotation into hot water zone
- Temperature only controlled with handle
- All parts replaceable from the front of the valve
- “LHD” indicates less showerhead models
- Max. flow rate of spout 6.0 gpm @ 60 psi, 22.7 L/min @ 414 kPa with R10000-UNBX
- Max. flow rate of showerhead 1.75 gpm @ 80 psi, 6.6 L/min @ 552 kPa
- Universal adapter included allows for thread, sweat or slip-on installation of tub spout

## WARRANTY

- Parts and Finish - Lifetime limited warranty; or for commercial purchasers, 10 years for multi-family residential (apartments and condominiums) and 5 years for all other commercial uses, in each case from the date of purchase.
- Electronic Parts and Batteries (if applicable) - 5 years from the date of purchase; or for commercial purchasers, 1 year from the date of purchase. No warranty is provided on batteries.



## COMPLIES WITH:

- ASME A112.18.1 / CSA B125.1
- ASSE 1016-P
- ♿ Indicates ADA compliance to ICC/ANSI A117.1 – Valve control only
- EPA WaterSense® - Applies to T142339-PP, T144339-PP, & RP64859 only

## Delta Faucet Company

55 E. 111th Street, Indianapolis, IN 46280  
 350 South Edgeware Road, St. Thomas, ON N5P 4L1  
 © 2021 Delta Faucet Company

Delta reserves the right (1) to make changes in specifications and materials, and (2) to change or discontinue models, both without notice or obligation. Dimensions are for reference only. See current full-line price book or www.deltafaucet.com for finish options and product availability.