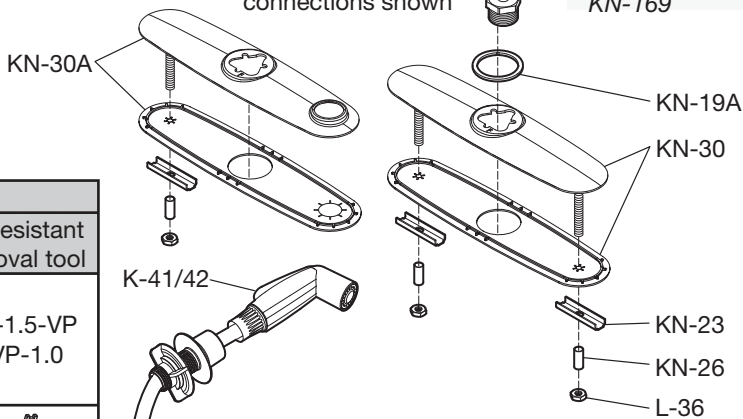
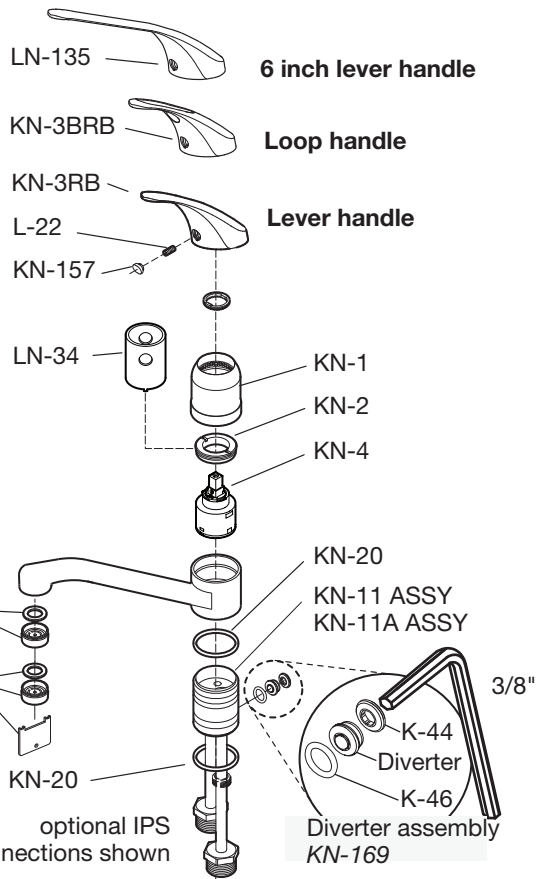
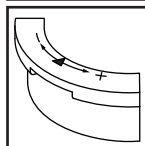
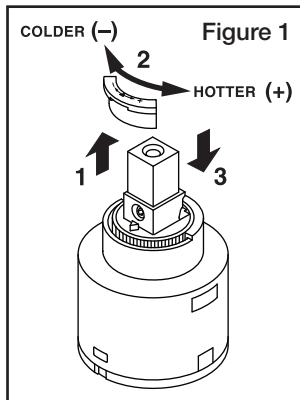



# Parts Assembly *Origins Kitchen Faucet, S-23 Series*

- K-41/42\* Hand spray and holder
- K-43 Diverter valve
- K-44 Retainer ring
- K-46 O-ring
- KN-1\* Valve cap
- KN-2 Compression ring
- KN-3RB\* Solid Handle
- KN-3BRB\* Loop Handle
- KN-4 Cartridge
- KN-11 ASSY Supply body assembly with diverter
- KN-11A ASSY Supply body assembly without diverter
- KN-19A Spacer
- KN-20 O-ring (2)
- KN-23 Anchor bar (2)
- KN-26 Mounting spacer (2)
- KN-30\* Escutcheon
- KN-30A\* Escutcheon with hand spray hole
- KN-157 Plug button
- KN-169 Diverter assembly
- L-22 Set screw
- L-36 Mounting nut (2)
- LN-216\* Aerator (Faucet with hand spray)
- LN-34 Cartridge wrench
- LN-135 6" lever handle with red/blue indicators



Aerator (flow regulator)	Part Number*	
	Standard Aerator	Vandal Resistant with removal tool
2.2 gpm (8.3L/min)	LN-15	LN-101
1.5 gpm (5.7L/min)	FLR-110-1.5	FLR-110-1.5-VP
1.0 gpm (3.8L/min)	FLR-110-1.0	RL-288-VP-1.0
.5 gpm (1.9L/min)	----	LN-100

Removal tool part number, LL-60K 

\* Note: When ordering parts for products with an optional decorative finish, append appropriate three letter finish suffix code to part numbers marked with an asterisk (\*).

**⚠ WARNING:** This product can expose you to chemicals including lead, which is known to the state of California to cause cancer, birth defects, or other reproductive harm. For more information, go to [www.P65Warnings.ca.gov](http://www.P65Warnings.ca.gov).

Symmons Industries, Inc. ■ 31 Brooks Drive ■ Braintree, MA 02184  
 Phone: (800) 796-6667 ■ Fax: (800) 961-9621  
 Website: [symmons.com](http://symmons.com) ■ Email: [gethelp@symmons.com](mailto:gethelp@symmons.com)

Copyright © 2018 Symmons Industries, Inc. ■ ZV-330 REV I ■ 060518

