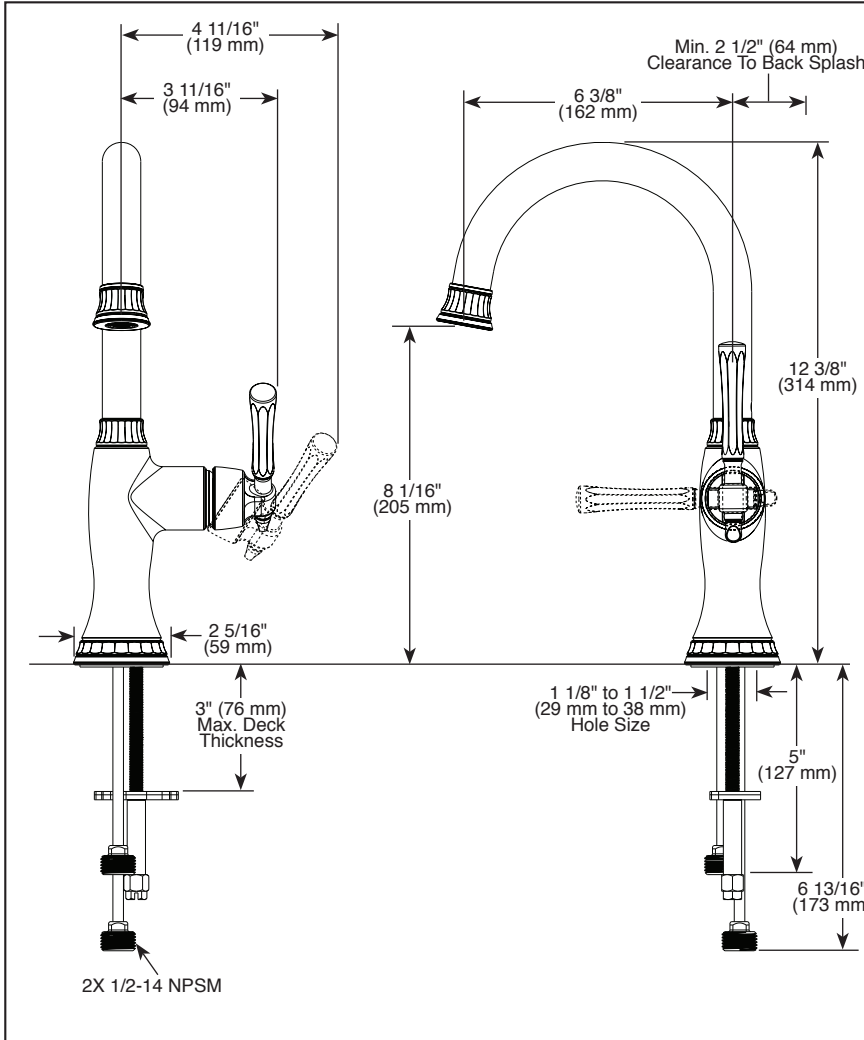


Submitted Model No.: _____

Specific Features: _____



▲ Designate proper finish suffix

BRIZO®

KITCHEN FAUCETS

- Tulham™ Collection
- Single Handle Bar Faucet


STANDARD SPECIFICATIONS:

- Max flow rate 1.8 gpm @ 60 psi, 6.8 L/min @ 414 kPa
- One hole mount
- Solid brass fabricated body
- Ceramic disc cartridge
- Spout rotates 360°
- 3/8" staggered copper supply lines with 1/2" adapters

WARRANTY

- Parts and Finish - Lifetime limited warranty; or for commercial purchasers, 10 years for multi-family residential (apartments and condominiums) and 5 years for all other commercial uses, in each case from the date of purchase.
- Electronic Parts and Batteries (if applicable) - 5 years from the date of purchase; or for commercial purchasers, 1 year from the date of purchase. No warranty is provided on batteries.

COMPLIES WITH:

- ASME A112.18.1 / CSA B125.1
-  Indicates compliance to ICC/ANSI A117.1
- Verified compliant with .25% weighted average Pb content regulations.