

Dimensional Document

Viega ManaBloc



This document is subject to updates. For the most current Viega technical literature please visit www.viega.us.



Viega products are designed to be installed by licensed and trained plumbing and mechanical professionals who are familiar with Viega products and their installation. **Installation by non-professionals may void Viega LLC's warranty.**

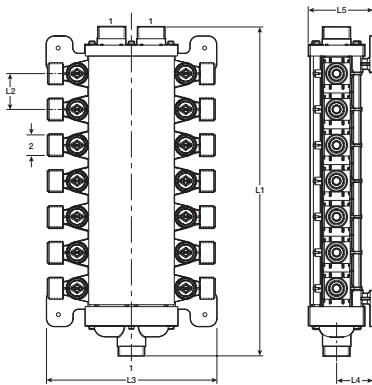


Zero Lead identifies Viega products meeting the lead free requirements of NSF/ANSI/CAN 61 through testing under NSF/ANSI/CAN 372 (0.25% or less maximum weighted average lead content).

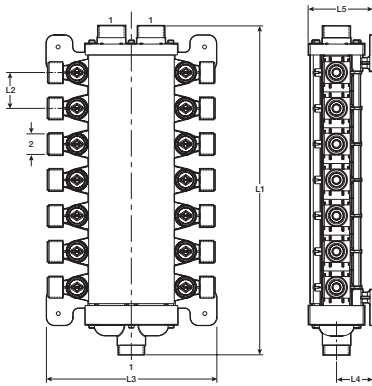


Eco Brass is a high grade, zero-lead alloy with high strength and corrosion resistance.

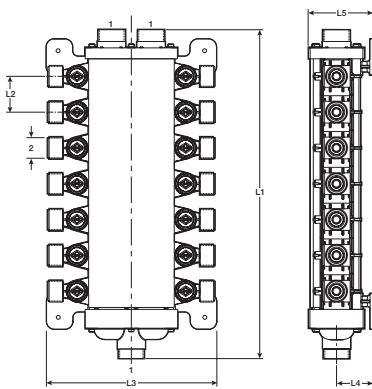
ManaBloc Distribution Manifold - Model V5040.6



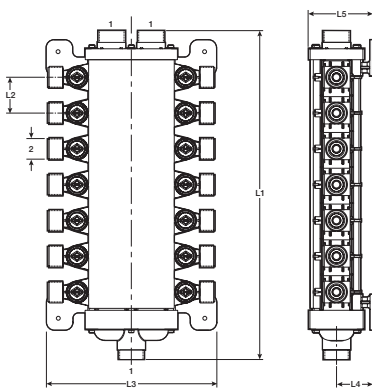
| Part No. | Size (in) | | Ports | L1 (in) | | L2 (in) | | L3 (in) | L4 (in) | | L5 (in) |
|----------|-----------|----------|-------|---------|----------------------------------|---------|---------------------------------|---------|---------|--------------------------------|---------|
| | 1 | 2 | | Dec | Frac | Dec | Frac | | Dec | Frac | |
| 49610 | 1 x | 5/8 NPSM | 14 | 15.44 | 15 ⁷ / ₁₆ | 1.68 | 1 ¹¹ / ₁₆ | 8.00 | 1.70 | 1 ¹ / ₁₆ | 3.00 |
| 49615 | 1 x | 5/8 NPSM | 18 | 18.80 | 18 ¹³ / ₁₆ | 1.68 | 1 ¹¹ / ₁₆ | 8.00 | 1.70 | 1 ¹ / ₁₆ | 3.00 |
| 49620 | 1 x | 5/8 NPSM | 24 | 24.16 | 24 ³ / ₁₆ | 1.68 | 1 ¹¹ / ₁₆ | 8.00 | 1.70 | 1 ¹ / ₁₆ | 3.00 |
| 49625 | 1 x | 5/8 NPSM | 30 | 28.88 | 28 ⁷ / ₈ | 1.68 | 1 ¹¹ / ₁₆ | 8.00 | 1.70 | 1 ¹ / ₁₆ | 3.00 |
| 49630 | 1 x | 5/8 NPSM | 36 | 33.92 | 33 ¹⁵ / ₁₆ | 1.68 | 1 ¹¹ / ₁₆ | 8.00 | 1.70 | 1 ¹ / ₁₆ | 3.00 |

ManaBloc Distribution Manifold - Model V5040.0


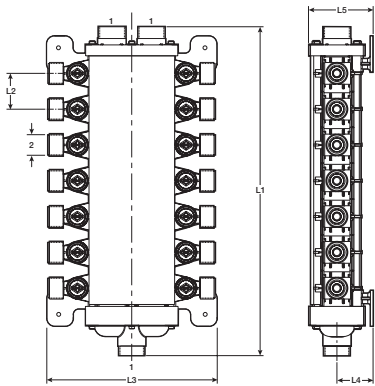
| Part No. | Size (in) | | L1 (in) | | L2 (in) | | L3 (in) | L4 (in) | | L5 (in) | |
|----------|-----------|------|---------|-------|----------|------|---------|---------|------|---------|------|
| | 1 | 2 | Dec | Frac | Dec | Frac | | Dec | Frac | | |
| 49635 | 1 x 5/8 | NPSM | 24 | 24.16 | 24 3/16 | 1.68 | 1 11/16 | 8.00 | 1.70 | 1 11/16 | 3.00 |
| 49640 | 1 x 5/8 | NPSM | 30 | 28.88 | 28 7/8 | 1.68 | 1 11/16 | 8.00 | 1.70 | 1 11/16 | 3.00 |
| 49645 | 1 x 5/8 | NPSM | 36 | 33.92 | 33 15/16 | 1.68 | 1 11/16 | 8.00 | 1.70 | 1 11/16 | 3.00 |

ManaBloc Distribution Manifold Press - Model V5630


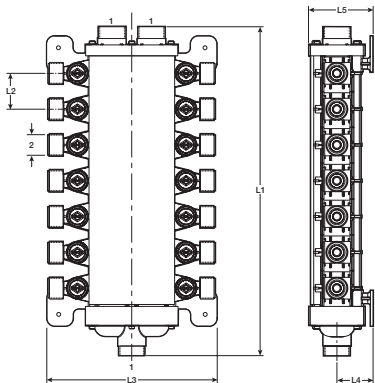
| Part No. | Size (in) | | L1 (in) | | L2 (in) | | L3 (in) | L4 (in) | | L5 (in) | |
|----------|-----------|------|---------|-------|----------|------|---------|---------|------|---------|------|
| | 1 | 2 | Dec | Frac | Dec | Frac | | Dec | Frac | | |
| 49142 | 1 x 5/8 | NPSM | 12 | 15.44 | 15 7/16 | 1.68 | 1 11/16 | 8.00 | 1.70 | 1 11/16 | 3.00 |
| 49143 | 1 x 5/8 | NPSM | 14 | 15.44 | 15 7/16 | 1.68 | 1 11/16 | 8.00 | 1.70 | 1 11/16 | 3.00 |
| 49183 | 1 x 5/8 | NPSM | 18 | 18.80 | 18 13/16 | 1.68 | 1 11/16 | 8.00 | 1.70 | 1 11/16 | 3.00 |
| 49243 | 1 x 5/8 | NPSM | 24 | 24.16 | 24 3/16 | 1.68 | 1 11/16 | 8.00 | 1.70 | 1 11/16 | 3.00 |
| 49303 | 1 x 5/8 | NPSM | 30 | 28.88 | 28 7/8 | 1.68 | 1 11/16 | 8.00 | 1.70 | 1 11/16 | 3.00 |
| 49363 | 1 x 5/8 | NPSM | 36 | 33.92 | 33 15/16 | 1.68 | 1 11/16 | 8.00 | 1.70 | 1 11/16 | 3.00 |

ManaBloc Distribution Manifold Press - Model V5640


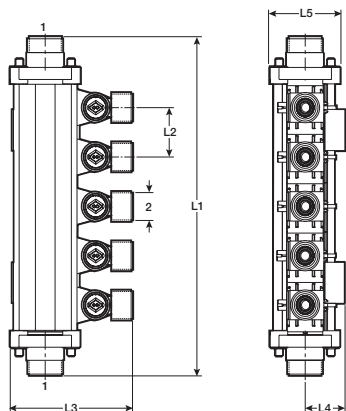
| Part No. | Size (in) | | L1 (in) | | L2 (in) | | L3 (in) | L4 (in) | | L5 (in) | |
|----------|-----------|------|---------|-------|----------|------|---------|---------|------|---------|------|
| | 1 | 2 | Dec | Frac | Dec | Frac | | Dec | Frac | | |
| 49186 | 1 x 5/8 | NPSM | 18 | 18.80 | 18 13/16 | 1.68 | 1 11/16 | 8.00 | 1.70 | 1 11/16 | 3.00 |
| 49246 | 1 x 5/8 | NPSM | 24 | 24.16 | 24 3/16 | 1.68 | 1 11/16 | 8.00 | 1.70 | 1 11/16 | 3.00 |
| 49306 | 1 x 5/8 | NPSM | 30 | 28.88 | 28 7/8 | 1.68 | 1 11/16 | 8.00 | 1.70 | 1 11/16 | 3.00 |
| 49366 | 1 x 5/8 | NPSM | 36 | 33.92 | 33 15/16 | 1.68 | 1 11/16 | 8.00 | 1.70 | 1 11/16 | 3.00 |

Viega ManaBloc Distribution Manifold Zero Lead Crimp - Model V5030.8


| Part No. | Size (in) | | Ports | L1 (in) | | L2 (in) | | L3 (in) | | L4 (in) | | L5 (in) | |
|----------|-----------|------|-------|---------|---------------------------------|---------|---------------------------------|---------|------|---------------------------------|------|---------------------------------|------|
| | 1 | 2 | | Dec | Frac | Dec | Frac | Dec | Frac | Dec | Frac | Dec | Frac |
| 50244 | 1 x 3/8 | NPSM | 12 | 12.34 | 12 ⁵ / ₁₆ | 1.68 | 1 ¹¹ / ₁₆ | 8.00 | 1.68 | 1 ¹¹ / ₁₆ | 2.94 | 2 ¹⁵ / ₁₆ | |
| 50142 | 1 x 3/8 | NPSM | 14 | 15.85 | 15 ⁷ / ₈ | 1.68 | 1 ¹¹ / ₁₆ | 8.00 | 1.68 | 1 ¹¹ / ₁₆ | 2.94 | 2 ¹⁵ / ₁₆ | |
| 50143 | 1 x 1/2 | NPSM | 14 | 15.85 | 15 ⁷ / ₈ | 1.68 | 1 ¹¹ / ₁₆ | 8.00 | 1.68 | 1 ¹¹ / ₁₆ | 2.94 | 2 ¹⁵ / ₁₆ | |
| 50245 | 1 x 3/8 | NPSM | 18 | 16.17 | 16 ³ / ₁₆ | 1.68 | 1 ¹¹ / ₁₆ | 8.00 | 1.68 | 1 ¹¹ / ₁₆ | 2.94 | 2 ¹⁵ / ₁₆ | |
| 50250 | 1 x 1/2 | NPSM | 18 | 16.17 | 16 ³ / ₁₆ | 1.68 | 1 ¹¹ / ₁₆ | 8.00 | 1.68 | 1 ¹¹ / ₁₆ | 2.94 | 2 ¹⁵ / ₁₆ | |
| 50247 | 1 x 3/8 | NPSM | 24 | 24.16 | 24 ³ / ₁₆ | 1.68 | 1 ¹¹ / ₁₆ | 8.00 | 1.68 | 1 ¹¹ / ₁₆ | 2.94 | 2 ¹⁵ / ₁₆ | |
| 50243 | 1 x 1/2 | NPSM | 24 | 24.16 | 24 ³ / ₁₆ | 1.68 | 1 ¹¹ / ₁₆ | 8.00 | 1.68 | 1 ¹¹ / ₁₆ | 2.94 | 2 ¹⁵ / ₁₆ | |
| 50248 | 1 x 3/8 | NPSM | 30 | 29.25 | 29 ¹ / ₄ | 1.68 | 1 ¹¹ / ₁₆ | 8.00 | 1.68 | 1 ¹¹ / ₁₆ | 2.94 | 2 ¹⁵ / ₁₆ | |
| 50303 | 1 x 1/2 | NPSM | 30 | 29.25 | 29 ¹ / ₄ | 1.68 | 1 ¹¹ / ₁₆ | 8.00 | 1.68 | 1 ¹¹ / ₁₆ | 2.94 | 2 ¹⁵ / ₁₆ | |
| 50249 | 1 x 3/8 | NPSM | 36 | 34.29 | 34 ⁵ / ₁₆ | 1.68 | 1 ¹¹ / ₁₆ | 8.00 | 1.68 | 1 ¹¹ / ₁₆ | 2.94 | 2 ¹⁵ / ₁₆ | |
| 50363 | 1 x 1/2 | NPSM | 36 | 34.29 | 34 ⁵ / ₁₆ | 1.68 | 1 ¹¹ / ₁₆ | 8.00 | 1.68 | 1 ¹¹ / ₁₆ | 2.94 | 2 ¹⁵ / ₁₆ | |

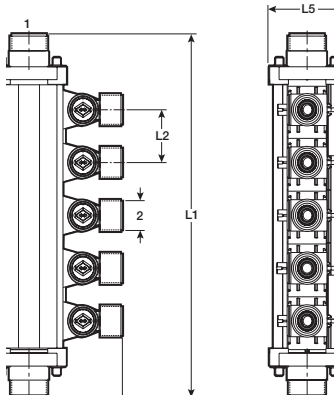
Viega ManaBloc Distribution Manifold - Model V5030.51


| Part No. | Size (in) | | Ports | L1 (in) | | L2 (in) | | L3 (in) | | L4 (in) | | L5 (in) | |
|----------|-----------|------|-------|---------|---------------------------------|---------|---------------------------------|---------|------|---------------------------------|------|---------------------------------|------|
| | 1 | 2 | | Dec | Frac | Dec | Frac | Dec | Frac | Dec | Frac | Dec | Frac |
| 51618 | 1 x 3/8 | NPSM | 18 | 19.17 | 19 ³ / ₁₆ | 1.68 | 1 ¹¹ / ₁₆ | 8.00 | 1.68 | 1 ¹¹ / ₁₆ | 2.94 | 2 ¹⁵ / ₁₆ | |
| 50624 | 1 x 3/8 | NPSM | 24 | 24.16 | 24 ³ / ₁₆ | 1.68 | 1 ¹¹ / ₁₆ | 8.00 | 1.68 | 1 ¹¹ / ₁₆ | 2.94 | 2 ¹⁵ / ₁₆ | |
| 50630 | 1 x 3/8 | NPSM | 30 | 29.25 | 29 ¹ / ₄ | 1.68 | 1 ¹¹ / ₁₆ | 8.00 | 1.68 | 1 ¹¹ / ₁₆ | 2.94 | 2 ¹⁵ / ₁₆ | |
| 50636 | 1 x 3/8 | NPSM | 36 | 34.29 | 34 ⁵ / ₁₆ | 1.68 | 1 ¹¹ / ₁₆ | 8.00 | 1.68 | 1 ¹¹ / ₁₆ | 2.94 | 2 ¹⁵ / ₁₆ | |

MiniBloc Zoning Manifold Press - Models V5650 / V5660


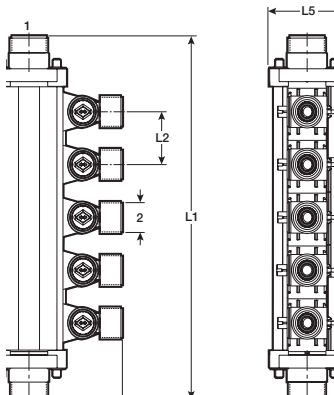
| Part No. | Size (in) | | Ports | L1 (in) | | L2 (in) | | L3 (in) | | L4 (in) | | L5 (in) | |
|----------|-----------|------|-------|---------|----------------------------------|---------|---------------------------------|---------|-------------------------------|---------|--------------------------------|---------|-------------------------------|
| | 1 | 2 | | Dec | Frac | Dec | Frac | Dec | Frac | Dec | Frac | Dec | Frac |
| 49033 | 1 x 5/8 | NPSM | 3 | 8.19 | 8 ³ / ₁₆ | 1.68 | 1 ¹¹ / ₁₆ | 4.37 | 4 ³ / ₈ | 1.42 | 1 ⁷ / ₁₆ | 4.75 | 4 ³ / ₄ |
| 49043 | 1 x 5/8 | NPSM | 4 | 9.87 | 9 ⁷ / ₈ | 1.68 | 1 ¹¹ / ₁₆ | 4.37 | 4 ³ / ₈ | 1.42 | 1 ⁷ / ₁₆ | 4.75 | 4 ³ / ₄ |
| 49453* | 1 x 5/8 | NPSM | 5 | 11.55 | 11 ⁹ / ₁₆ | 1.68 | 1 ¹¹ / ₁₆ | 4.37 | 4 ³ / ₈ | 1.42 | 1 ⁷ / ₁₆ | 4.75 | 4 ³ / ₄ |
| 49063 | 1 x 5/8 | NPSM | 6 | 13.23 | 13 ¹ / ₄ | 1.68 | 1 ¹¹ / ₁₆ | 4.37 | 4 ³ / ₈ | 1.42 | 1 ⁷ / ₁₆ | 4.75 | 4 ³ / ₄ |
| 49473* | 1 x 5/8 | NPSM | 7 | 14.91 | 14 ¹⁵ / ₁₆ | 1.68 | 1 ¹¹ / ₁₆ | 4.37 | 4 ³ / ₈ | 1.42 | 1 ⁷ / ₁₆ | 4.75 | 4 ³ / ₄ |
| 49083 | 1 x 5/8 | NPSM | 8 | 16.59 | 16 ⁹ / ₁₆ | 1.68 | 1 ¹¹ / ₁₆ | 4.37 | 4 ³ / ₈ | 1.42 | 1 ⁷ / ₁₆ | 4.75 | 4 ³ / ₄ |
| 49410* | 1 x 5/8 | NPSM | 10 | 19.95 | 19 ¹⁵ / ₁₆ | 1.68 | 1 ¹¹ / ₁₆ | 4.37 | 4 ³ / ₈ | 1.42 | 1 ⁷ / ₁₆ | 4.75 | 4 ³ / ₄ |

*Manifold incorporates hot and cold ports.

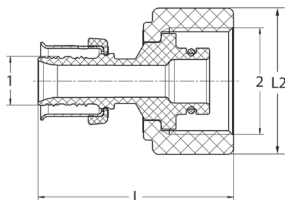
Viega MiniBloc Zoning Manifold Zero Lead Crimp - Model V5031.5


| Part No. | Size (in) | | Ports | L1 (in) | | L2 (in) | | L3 (in) | | L4 (in) | | L5 (in) | |
|----------|-----------|------|-------|---------|----------|---------|--------|---------|-------|---------|--------|---------|-------|
| | 1 | 2 | | Dec | Frac | Dec | Frac | Dec | Frac | Dec | Frac | Dec | Frac |
| 50033 | 1 x 5/8 | NPSM | 3 | 8.19 | 8 3/16 | 1.68 | 1 1/16 | 4.37 | 4 3/8 | 1.42 | 1 7/16 | 2.50 | 2 1/2 |
| 50043 | 1 x 5/8 | NPSM | 4 | 9.87 | 9 7/8 | 1.68 | 1 1/16 | 4.37 | 4 3/8 | 1.42 | 1 7/16 | 2.50 | 2 1/2 |
| 51063* | 1 x 5/8 | NPSM | 5 | 11.55 | 11 9/16 | 1.68 | 1 1/16 | 4.37 | 4 3/8 | 1.42 | 1 7/16 | 2.50 | 2 1/2 |
| 50063 | 1 x 5/8 | NPSM | 6 | 13.23 | 13 1/4 | 1.68 | 1 1/16 | 4.37 | 4 3/8 | 1.42 | 1 7/16 | 2.50 | 2 1/2 |
| 51073* | 1 x 5/8 | NPSM | 7 | 14.91 | 14 15/16 | 1.68 | 1 1/16 | 4.37 | 4 3/8 | 1.42 | 1 7/16 | 2.50 | 2 1/2 |
| 50083 | 1 x 5/8 | NPSM | 8 | 16.59 | 16 9/16 | 1.68 | 1 1/16 | 4.37 | 4 3/8 | 1.42 | 1 7/16 | 2.50 | 2 1/2 |
| 51003* | 1 x 5/8 | NPSM | 10 | 19.95 | 19 15/16 | 1.68 | 1 1/16 | 4.37 | 4 3/8 | 1.42 | 1 7/16 | 2.50 | 2 1/2 |

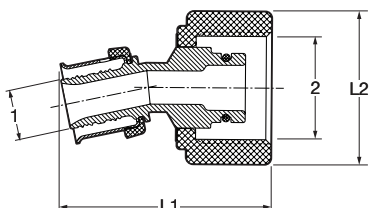
*Manifold incorporates hot and cold ports.

Viega MiniBloc Zoning Manifold - Model V5067


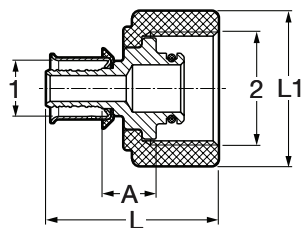
| Part No. | Size (in) | | Ports | L1 (in) | | L2 (in) | | L3 (in) | | L4 (in) | | L5 (in) | |
|----------|-----------|------|-------|---------|----------|---------|--------|---------|-------|---------|-------|---------|-------|
| | 1 | 2 | | Dec | Frac | Dec | Frac | Dec | Frac | Dec | Frac | Dec | Frac |
| 51063 | 1 x 1/2 | NPSM | 5 | 11.55 | 11 9/16 | 1.68 | 1 1/16 | 4.375 | 4 3/8 | 1.25 | 1 1/4 | 2.625 | 2 5/8 |
| 51073 | 1 x 1/2 | NPSM | 7 | 14.91 | 14 15/16 | 1.68 | 1 1/16 | 4.375 | 4 3/8 | 1.25 | 1 1/4 | 2.625 | 2 5/8 |
| 51003 | 1 x 1/2 | NPSM | 10 | 19.95 | 19 15/16 | 1.68 | 1 1/16 | 4.375 | 4 3/8 | 1.25 | 1 1/4 | 2.625 | 2 5/8 |

PureFlow Press Port Adapter Polymer P x Port - Model V5613.1


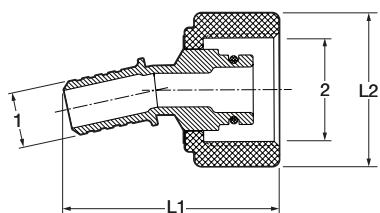
| Part No. | Size (in) | | L (in) | | L2 (in) | |
|----------|-----------|------|--------|-------|---------|-------|
| | 1 | 2 | Dec | Frac | Dec | Frac |
| 49234 | 1/2 x 1/2 | Port | 1.89 | 1 7/8 | 1.40 | 1 3/8 |
| 49224 | 3/8 x 1/2 | Port | 1.89 | 1 7/8 | 1.40 | 1 3/8 |

Viega PureFlow Press Port Adapter Sweep - Model V5613.5


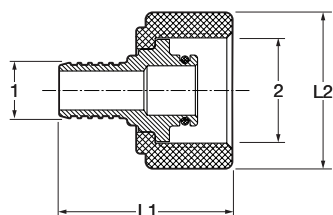
| Part No. | Size (in) | | L (in) | | L1 (in) | |
|----------|-----------|------|--------|---------|---------|--------|
| | 1 | 2 | Dec | Frac | Dec | Frac |
| 50262 | 1/2 x 1/2 | Port | 1.96 | 1 15/16 | 1.42 | 1 7/16 |
| 50263 | 3/8 x 1/2 | Port | 1.95 | 1 15/16 | 1.42 | 1 7/16 |

PureFlow Press Port Adapter Zero Lead Bronze P x ManaBloc Port - Model 2877.3ZL


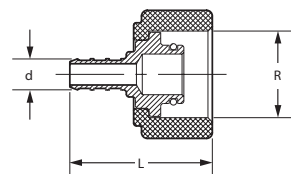
| Part No. | Size (in) | | A (in) | | L (in) | | L1 (in) | |
|----------|----------------|---|--------|------|--------|--------|---------|--------|
| | 1 | 2 | Dec | Frac | Dec | Frac | Dec | Frac |
| 96101 | 3/8 x 1/2 Port | | 0.51 | 1/2 | 1.58 | 1 1/16 | 1.42 | 1 7/16 |
| 96120 | 1/2 x 1/2 Port | | 0.51 | 1/2 | 1.58 | 1 1/16 | 1.42 | 1 7/16 |

Viega ManaBloc Port Adapter Sweep - Model V5613.7


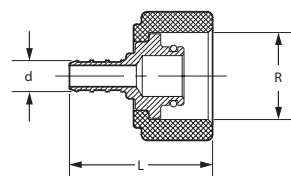
| Part No. | Size (in) | | L (in) | | L1 (in) | |
|----------|-------------------|---|--------|------|---------|--------|
| | 1 | 2 | Dec | Frac | Dec | Frac |
| 50264 | 1/2 PB x 1/2 Port | | 1.99 | 2 | 1.42 | 1 7/16 |
| 50265 | 3/8 PB x 1/2 Port | | 1.98 | 2 | 1.42 | 1 7/16 |

Viega PureFlow Port Adapter Zero Lead Bronze for ManaBloc Polybutylene x Port - Model V5613.8


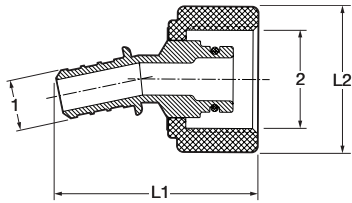
| Part No. | Size (in) | | L1 (in) | | L2 (in) | |
|----------|-------------------|---|---------|--------|---------|--------|
| | 1 | 2 | Dec | Frac | Dec | Frac |
| 50267 | 3/8 PB x 1/2 Port | | 1.58 | 1 1/16 | 1.42 | 1 7/16 |
| 50266 | 1/2 PB x 1/2 Port | | 1.57 | 1 1/16 | 1.42 | 1 7/16 |

Viega PureFlow Crimp Port Adapter Zero Lead Brass For ManaBloc Crimp x Port - Model V5039ZL


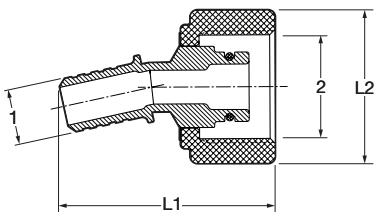
| Part No. | Size (in) | | L (in) | |
|----------|----------------|---|--------|--------|
| | 1 | 2 | Dec | Frac |
| 46624 | 3/8 x 1/2 Port | | 1.58 | 1 1/16 |
| 46634 | 1/2 x 1/2 Port | | 1.58 | 1 1/16 |

Viega PureFlow Crimp Port Adapter Zero Lead PolyAlloy for ManaBloc Crimp x Port - Model V5039.1


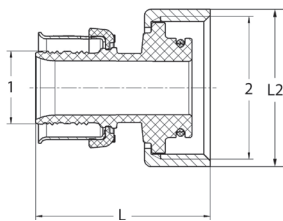
| Part No. | Size (in) | | L (in) | |
|----------|----------------|--|--------|--------|
| | 1 | | Dec | Frac |
| 50023 | 3/8 x 1/2 Port | | 1.58 | 1 1/16 |
| 50133 | 1/2 x 1/2 Port | | 1.58 | 1 1/16 |
| 51123 | 1/2 x 3/8 Port | | 1.58 | 1 1/16 |
| 51133 | 3/8 x 3/8 Port | | 1.58 | 1 1/16 |

Viega PureFlow Crimp Port Sweep Adapter Zero Lead PolyAlloy for ManaBloc Crimp x Port - Model V5039.2


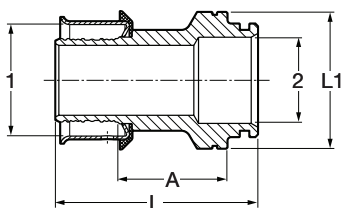
| Part No. | Size (in) | | L1 (in) | | L2 (in) | |
|----------|----------------|---|---------|---------------------------------|---------|-------|
| | 1 | 2 | Dec | Frac | Dec | Frac |
| 50260 | 1/2 x 1/2 Port | | 1.97 | 2 | 1.42 | 17/16 |
| 50261 | 3/8 x 1/2 Port | | 1.96 | 1 ¹⁵ / ₁₆ | 1.42 | 17/16 |

Viega PureFlow Crimp Port Sweep Adapter Zero Lead PolyAlloy for ManaBloc Polybutylene x Port - Model V5039.2


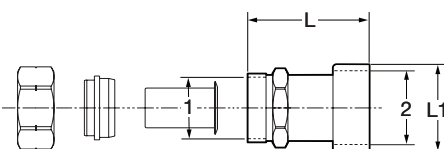
| Part No. | Size (in) | | L (in) | | L1 (in) | |
|----------|-------------------|---|--------|------|---------|-------|
| | 1 | 2 | Dec | Frac | Dec | Frac |
| 50264 | 1/2 PB x 1/2 Port | | 1.99 | 2 | 1.42 | 17/16 |
| 50265 | 3/8 PB x 1/2 Port | | 1.98 | 2 | 1.42 | 17/16 |

PureFlow Press Supply Adapter Polymer for ManaBloc P x Supply - Model V5613.2


| Part No. | Size (in) | | L (in) | | L2 (in) | |
|----------|--------------------|---|--------|-------|---------|-------|
| | 1 | 2 | Dec | Frac | Dec | Frac |
| 49414 | 3/4 x 1 ManaBloc | | 1.59 | 19/16 | 1.45 | 17/16 |
| 49416 | 1 x 1 ManaBloc | | 1.75 | 13/4 | 1.45 | 17/16 |
| 49418 | 1 1/4 x 1 ManaBloc | | 2.42 | 27/16 | 1.45 | 17/16 |

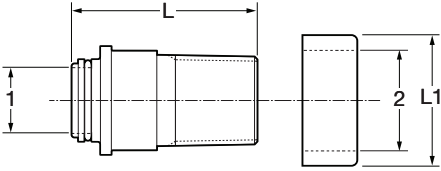
PureFlow Press Supply Adapter Zero Lead Bronze P x ManaBloc Supply - Model 2877.8ZL


| Part No. | Size (in) | | A (in) | | L (in) | | L1 (in) | |
|----------|------------------|---|--------|------|--------|---------------------------------|---------|-------|
| | 1 | 2 | Dec | Frac | Dec | Frac | Dec | Frac |
| 96141 | 3/4 x 1 ManaBloc | | 0.87 | 7/8 | 1.79 | 1 ¹³ / ₁₆ | 1.43 | 17/16 |
| 96161 | 1 x 1 ManaBloc | | 0.77 | 3/4 | 1.80 | 1 ¹³ / ₁₆ | 1.43 | 17/16 |

Viega PureFlow ManaBloc Supply Adapter Zero Lead Brass CTS x Supply - Model V5032ZL


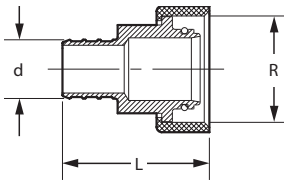
| Part No. | Size (in) | | L (in) | L1 (in) | |
|----------|----------------------|---|--------|---------|-------|
| | 1 | 2 | | Dec | Frac |
| 46346 | 3/4 CTS x 1 ManaBloc | | 2.00 | 1.43 | 17/16 |

Viega PureFlow ManaBloc Supply Adapter Zero Lead Brass MPT x Supply - Model V5033ZL



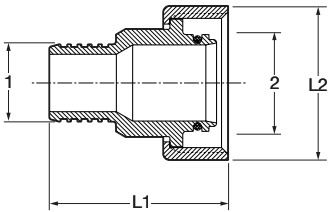
| Part No. | Size (in) | | L (in) | | L1 (in) | |
|----------|-----------|------------|--------|--------|---------|--------|
| | 1 | 2 | Dec | Frac | Dec | Frac |
| 46646 | 3/4 MPT | 1 ManaBloc | 2.14 | 2 1/8 | 1.43 | 1 7/16 |
| 46656 | 1 MPT | 1 ManaBloc | 2.34 | 2 5/16 | 1.43 | 1 7/16 |

Viega PureFlow Crimp Supply Adapter Zero Lead Brass For ManaBloc Crimp x Supply - Model V5034ZL



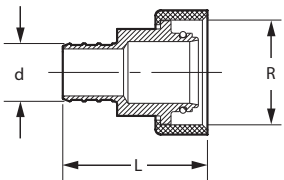
| Part No. | Size (in) | | L (in) | |
|----------|-----------|------------|--------|---------|
| | 1 | 2 | Dec | Frac |
| 46414 | 3/4 | 1 ManaBloc | 1.66 | 1 11/16 |
| 46416 | 1 | 1 ManaBloc | 1.84 | 1 13/16 |

Viega PureFlow Supply Adapter Zero Lead Bronze for ManaBloc Polybutylene x Supply - Model V5035ZL



| Part No. | Size (in) | | L1 (in) | | L2 (in) | |
|----------|-----------|------------|---------|--------|---------|--------|
| | 1 | 2 | Dec | Frac | Dec | Frac |
| 50268 | 3/4 PB | 1 ManaBloc | 1.66 | 1 1/16 | 1.43 | 1 7/16 |
| 50269 | 1 PB | 1 ManaBloc | 1.66 | 1 1/16 | 1.43 | 1 7/16 |

Viega PureFlow Crimp Supply Adapter Zero Lead PolyAlloy for ManaBloc Crimp x Supply - Model V5213



| Part No. | Size (in) | | L (in) | |
|----------|-----------|------------|--------|---------|
| | 1 | 2 | Dec | Frac |
| 50141 | 3/4 | 1 ManaBloc | 1.66 | 1 11/16 |
| 50151 | 1 | 1 ManaBloc | 1.84 | 1 13/16 |