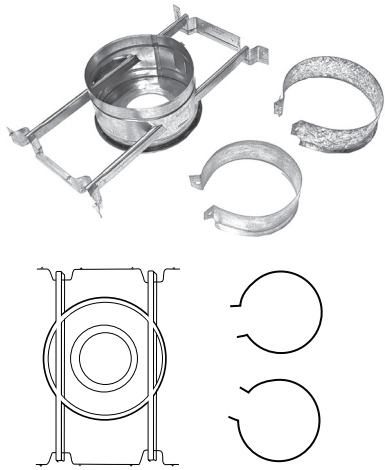


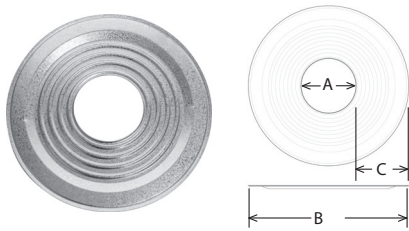
Round Bucket Support



- Use to support B Vent between 16 inch on center joists.
- Allows pipe section to slide through RBS and be adjusted as required based on installation needs.
- Pipe must be secured with included pipe collar.
- Allows connection to single wall or double wall connectors.
- Fire stop spacer required.
- Includes (2) hangers, bars, pipe supports and bucket.
- Will support up to 35'.

SIZE	ORDER #	STOCK #
3"- 4"	3BVR54	810017798
5"- 6"	5BVR56	810017973

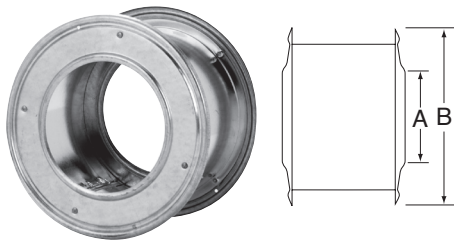
Pipe Collar



- Provides a decorative/finished appearance.

SIZE	ORDER #	STOCK #	A	B	C
3"	3BVPC	810017799	3 5/8"	10 1/16"	3 9/16"
4"	4BVPC	810017889	4 5/8"	10 1/16"	3 1/16"
5"	5BVPC	810017974	5 5/8"	10 1/16"	2 9/16"
6"	6BVPC	810018067	6 5/8"	10 1/16"	2 1/16"
7"	7BVPC	810018134	7 5/8"	11 1/4"	1 3/4"

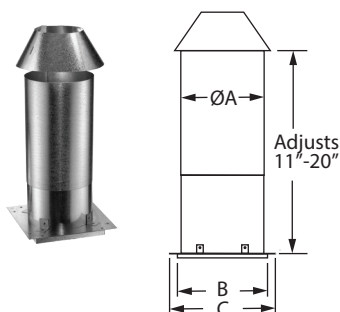
Wall Thimble



- Used to ensure clearance to combustibles is maintained.
- Wall Thimble also serves as a firestop.
- Adjusts from 4 - 1/8" to 7" to fit thickness of wall.

SIZE	ORDER #	STOCK #	A	B
3"	3BVWT	810017801	3 5/8"	7"
4"	4BVWT	810017891	4 5/8"	8 1/4"
5"	5BVWT	810017976	5 5/8"	9 1/2"
6"	6BVWT	810018069	6 5/8"	10 3/4"
7"	7BVWT	810018135	7 5/8"	11"
8"	8BVWT	810018202	8 5/8"	12 1/2"

Attic Insulation Shield



- Required for installations that pass through an attic to prevent insulation and debris from accumulating near the vent.

SIZE	ORDER #	STOCK #	A	B	C
3"- 4"	3BVIS	810017812	6 3/4"	7 3/16"	9 1/4"
5"- 6"	5BVIS	810018031	8 3/4"	8 15/16"	11"
7"- 8"	7BVIS	810018191	10 3/4"	10 5/16"	13"