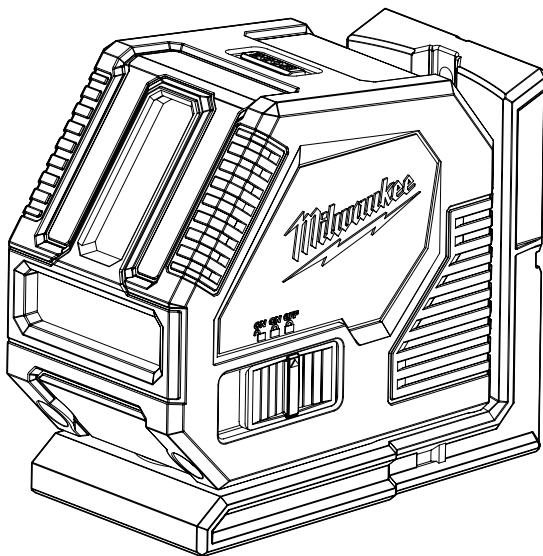




OPERATOR'S MANUAL
MANUEL de L'UTILISATEUR
MANUAL del OPERADOR



Cat. No. / No de cat.
3421

GREEN CROSS LINE LASER
LASER À LIGNES CROISÉES VERTES
LÁSER DE LÍNEA CRUZADA VERDE



WARNING To reduce the risk of injury, user must read and understand operator's manual.

AVERTISSEMENT Afin de réduire le risque de blessures, l'utilisateur doit lire et bien comprendre le manuel.

ADVERTENCIA Para reducir el riesgo de lesiones, el usuario debe leer y entender el manual.

GENERAL POWER TOOL SAFETY WARNINGS

⚠WARNING Read and understand all instructions. Failure to follow all instructions listed below, may result in electric shock, fire and/or serious personal injury. Save all warnings and instructions for future reference.

• Save these instructions - This operator's manual contains important safety and operating instructions.

LASER SAFETY

⚠WARNING The device produces visible laser beams, which are emitted from the tool.

• This device complies with 21 CFR 1040.10 and 1040.11 except for conformance with IEC 60825-1 Ed. 3, as described in Laser Notice No. 56, dated May 8, 2019.

• Laser light - Do not stare into beam or view directly with optical instruments. Do not point laser light at others. Laser light can cause eye damage.

WORK AREA SAFETY

• Ensure adequate safeguards at the work site (e.g. surveying site when measuring on roads, construction sites, etc.).

• Avoid dangerous environments. Avoid extended exposure to rain, snow, damp or wet locations. Do not use in the presence of explosive atmospheres (gaseous fumes, dust or flammable materials).

PERSONAL SAFETY

• Do not allow persons unfamiliar with the tool, these safety instructions, and the tool's operator's manual to operate the tool. This tool can be dangerous in the hands of untrained users.

• Do not overreach. Keep proper footing and balance at all times. This enables better control of the tool in unexpected situations.

BATTERY TOOL USE AND CARE

• This tool is designed to be powered by AA batteries properly inserted into the tool. Do not attempt to use with any other voltage or power supply.

• Do not leave batteries within the reach of children.

• Do not mix new and used batteries. Do not mix brands (or types within brands) of batteries.

• Do not mix rechargeable and non-rechargeable batteries.

• Install batteries according to polarity (+ / -) diagrams.

• Properly dispose of used batteries immediately.

• Do not incinerate or dismantle batteries.

• Under abusive conditions, liquid may be ejected from the battery, avoid contact. If contact accidentally occurs, flush with water. If liquid contacts eyes, additionally seek medical help. Liquid ejected from the battery may cause irritation or burns.

SPECIFIC SAFETY RULES FOR LASER LEVELS

• Watch out for erroneous results if the tool is defective or if it has been dropped, misused or modified.

• Ensure tool magnets are securely mounted to a metal surface. Magnet strength may not hold on thin metal surfaces, causing the tool to fall.

• The device conforms to the most stringent requirements of the relevant Electromagnetic Compatibility (EMC) Standards and Regulations. Yet, the possibility of causing interference in other devices cannot be totally excluded.

• **⚠CAUTION** Use of controls or adjustments or performance of procedures other than those specified herein may result in hazardous radiation exposure.

• Be sure to power off instrument after use. When instrument will not be used for a long period, place it in storage after removing batteries.

• Always use common sense and be cautious when using tools. It is not possible to anticipate every situation that could result in a dangerous outcome. Do not use this tool if you do not understand these operating instructions or you feel the work is beyond your capability; contact Milwaukee Tool or a trained professional for additional information or training.

• Maintain labels and nameplates. These carry important information. If unreadable or missing, contact MILWAUKEE for a free replacement.

FCC Federal Communications Commission

⚠WARNING Changes or modifications to this unit not expressly approved by the party responsible for compliance could void the user's authority to operate the equipment. This equipment has been tested and found to comply with the limits for a Class B digital device, pursuant to Part 15 of the FCC Rules. These limits are designed to provide reasonable protection against harmful interference in a residential installation. This equipment generates, uses and can radiate radio frequency energy and, if not installed and used in accordance with the instructions, may cause harmful interference to radio communications.

However, there is no guarantee that interference will not occur in a particular installation. If this equipment does cause harmful interference to radio or television reception, which can be determined by turning the equipment off and on, the user is encouraged to try to correct the interference by one or more of the following measures:

- Reorient or relocate the receiving antenna.
- Increase the separation between the equipment and receiver.
- Consult the dealer or an experienced radio/TV technician for help.

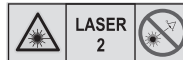
SYMBOLGY



Volts



Direct Current



LASER RADIATION
DO NOT STARE INTO BEAM
CLASS 2 LASER PRODUCT

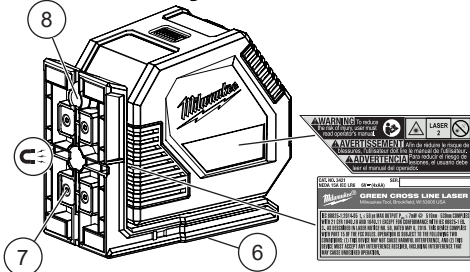
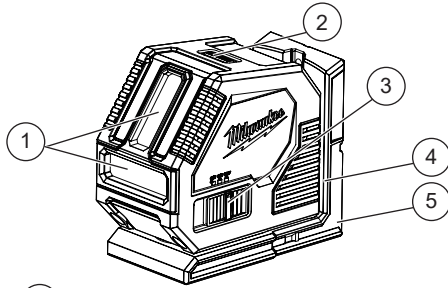


Magnets



Read operator's manual

FUNCTIONAL DESCRIPTION



1. Laser apertures
2. Laser mode button
3. On/Off switch
4. Battery door
5. Pivot Bracket
6. Threaded insert
7. Magnets
8. Nail/Screw hole

SPECIFICATIONS

Cat. No.	3421
Volts.....	6 DC
Battery Type	4x(AA) NEDA 15A IEC LR6
Laser.....	Class 2
Lines Max Power.....	$P_{AVG} \leq 7$ mW
Pulse Frequency.....	10 KHZ
Pulse Duration Normal Mode	Continuous
Pulse Duration Power Save.....	$T_p \leq 50$ μ s
Wavelength.....	510-530 nm
Lines Beam Divergence	1 rad
Storage Temp.....	-4°F to 140°F
Working Range.....	100'
Range with Detector.....	165'
Accuracy.....	$\pm 1/8"$ @ 33'
Settle Time	< 3 Seconds
Tripod Mount	1/4"-20
Ingress Protection.....	IP54
Drop Rating	1 m
Leveling	Auto ± 4 side to side, front to back
Recommended Ambient Operating Temperature	-4°F to 104°F

ASSEMBLY

Removing/Inserting the Batteries

To **remove** the batteries, rotate laser on the bracket 180°, then unclip the battery door. Pull gently on battery tether to release 4 (AA) batteries.

⚠WARNING Always remove batteries before changing or removing accessories.

To **insert** the batteries, gently push AA batteries into position according to the directions on the bottom of the battery port. Close the battery door. Make sure it latches securely into place.

⚠WARNING Only use accessories specifically recommended for this tool. Others may be hazardous.

Detector/Power Save Mode

Use Detector/Power Save Mode with MILWAUKEE 48-35-1211 Laser Line Detector to extend the battery run time. Manually activate Detector/Power Save Mode by holding the Mode button for 3 seconds. Visual range will be decreased when Detector/Power save mode is activated. Power Save Mode is indicated when flashing laser output appears with approximately 30 minutes battery left.

Low Battery Indication

To indicate low battery (about 30 minutes of battery life remaining*), the laser lines will flash:

- In Unlocked ON - 3 times every 4 seconds
- In Locked ON - 3 times every 8 seconds

The low battery indicator flashing will continue until the batteries are removed and replaced.

During self-leveling, the out-of-level indicator (flashing 3 times per second) will override the low battery indicator.

NOTE: Battery life may vary by brand/age. Replace the batteries as soon as possible.

⚠WARNING To reduce the risk of injury or damage, securely mount/attach the laser before starting an operation. Injury/damage may occur if the laser falls.

Mounting/Adjusting the Laser Level

The pivot bracket can be used to mount the laser level in multiple ways:

- Use the embedded magnets to secure the laser level to steel studs, steel beams, etc.
- Use the keyhole slot to hang the laser level on the wall with a nail or screw.
- Set the laser level on a flat surface.
- Position the laser and/or wall mount on a stable surface.
- Use the 1/4"-20 threaded insert to mount on a tripod.
- Once the level is mounted, use the micro adjustment knobs to fine tune the laser line.

OPERATION

⚠WARNING To reduce the risk of injury or temporary effects on vision, do not look directly into the laser when it is on.

⚠CAUTION Use of controls or adjustments or performance of procedures other than those specified herein may result in hazardous radiation exposure.

NOTICE Perform the Accuracy Field Check procedure immediately upon unboxing of each new Laser Level and before exposure to jobsite conditions. See "Accuracy Field Check" for information.

Turning On/Off

To turn on the laser and unlock the pendulum, switch the On/Off to the desired position. **WARNING!** Do not look directly into laser apertures. Horizontal level line will immediately be emitted from aperture in the laser housing.

🔌 ON Turns **ON** the laser and unlocks the pendulum to enable self-leveling.

🔌 ON Turns **ON** the laser but does not unlock the pendulum (self leveling is disabled). The laser lines will flash once every 8 seconds to indicate that the projected lines are not level or plumb.

NOTICE: The **🔌 ON** mode disables self-leveling and therefore is not intended for projecting a level or plumb line.

🔌 OFF Turns **OFF** the laser and locks the pendulum. When not in use, turn off the tool and store the Laser Level in the protective carrying case.

Use the MODE button to cycle through the three laser modes:

1. Horizontal Mode
2. Vertical Mode
3. Cross Mode

Using the Laser Level

1. For best results, place the tool on a work surface that is:
 - sturdy
 - level (within 4 degrees of true level)
 - free of vibrations
 - 90° to the work area
2. Turn on the tool.
3. The tool will self-level when placed on surfaces within 4 degrees of true level when switch is unlocked and **🔌 ON**.
4. The tool is ready once the emitted lines are continuous and no longer moving on the work surface.
5. If the tool cannot achieve a level state (i.e., the work surface is > 4 degrees off true level), the laser beams will flash rapidly (3 flashes per second). Relocate or adjust the work surface.

Troubleshooting

If the tool does not turn on:

- Ensure batteries are installed properly.
 - Ensure batteries are good.
 - Ensure the tool's internal temperature is within specified operating ranges. If stored in excessive heat or cold, allow at least 2 hours to acclimate to ambient temperature before turning on the tool.
- If problem persists, please contact a MILWAUKEE service facility for support.

ACCURACY FIELD CHECK

NOTICE Perform the Accuracy Field Check procedure immediately upon unboxing of each new Laser Level and before exposure to jobsite conditions. See "Accuracy Field Check" for information. Should any deviation from listed product accuracy be found, please contact a MILWAUKEE service facility. Failure to do so could result in rejection of warranty claim.

Influences on Accuracy

Ambient temperature gradients can impact laser accuracy. For accurate and repeatable results, the following procedure should be conducted with the laser elevated off the ground and placed in the center of the working area.

Abusive treatment of the Laser Level, such as excessive impacts from drop, can also lead to deviations in product accuracy.

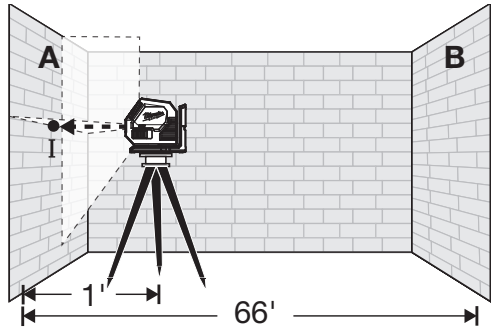
Therefore, it is recommended to conduct the Field Check procedure after any impact or before completing any critical jobs.

Horizontal Height Accuracy

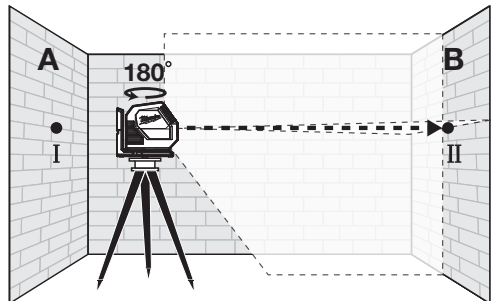
A free measuring distance of approximately 66' on a firm surface between two walls or structures A and B is required for this check.

It is also suggested to mount the Laser Level to a Tripod for easy adjustment.

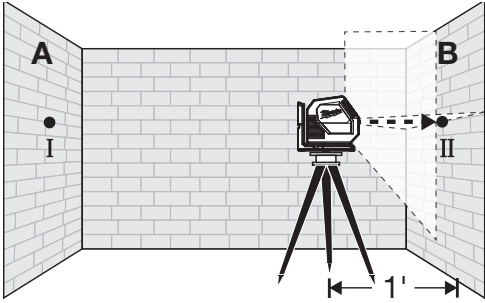
1. Securely mount the tool within 1' of wall A.



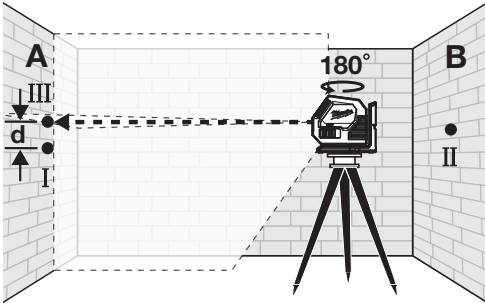
2. Turn the tool to **🔌 ON** and press the mode button 3 times.
3. Direct the front laser beam against the nearest wall A and allow to self-level. Mark the center of the laser cross on the wall (point I).
4. Rotate the tool 180° without changing the height, allow it to self-level, and mark the center of the laser cross on the opposite wall B (point II).



5. Move the tool within 1' of wall B. Allow the laser to self level. Align the laser cross in the general direction of point II on wall B.



6. Adjust the height of the tool (using the tripod or by adding shims, if required) to align the laser cross directly onto point II on wall B. Allow the tool to self-level.
7. Rotate the tool 180° without changing the height, allow it to self-level, and mark the center of the laser cross on wall A (point III). Point III should be aligned as vertically above or below point I on wall A as possible.



8. The distance between points I and III on wall A is the height deviation (d) of the tool. This distance should not exceed 1/8" (max.) at 33' (1/2" at 132'). For the Measuring distance of 2 x 66' = 132', the maximum allowable deviation (d) is: $132' \times \pm 1/8" \div 33' = \pm 1/2"$.

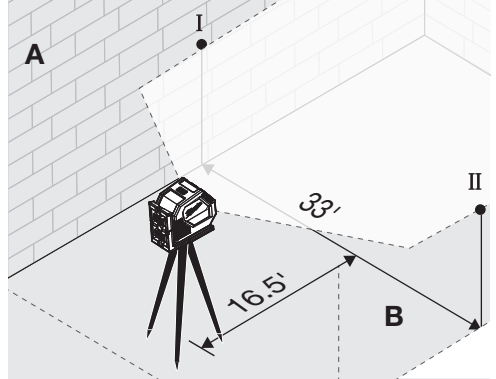
Horizontal Leveling Accuracy

A free measuring space of approximately 33'x33' on a firm surface between two walls or structures A and B is required for the check.

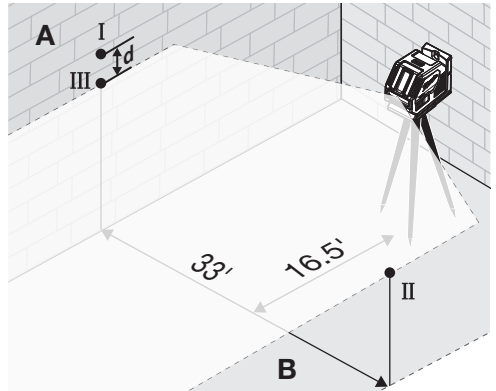
It is also suggested to mount the Laser Level to a Tripod for easy adjustment.

Securely mount the tool on one side of the room and centered between walls A and B. Direct the laser lines toward the other side of the room such that the horizontal line appears on both walls A and B. Allow the laser to Self-Level.

1. Turn the tool to **ON**.
2. At a distance of 16.5' from the laser, mark the center of the horizontal line on Wall A (Point I). Do the same on Wall B (Point II).




3. Move the Laser 33' toward the opposite wall and rotate the laser 180°. Allow the laser to Self-Level.
4. Adjust the height of the tool (using the tripod or by adding shims, if required) such that the center of the horizontal line is projected exactly against the previously marked point II on wall B. Ensure the Laser is self-leveled after alignment.
5. Mark the center of horizontal line on wall A (point III). Take care that point III is aligned as vertical as possible above or below point I.
6. The distance d between marked points I and III on wall A indicates the actual deviation (d) of the tool.

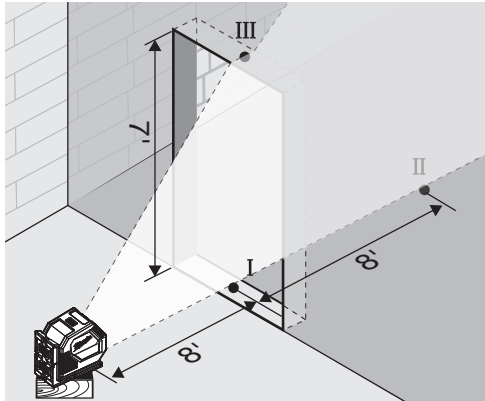


7. For the Measuring distance of 2 x 33' = 66', the maximum allowable deviation (d) is: $66' \times \pm 1/8" \div 33' = \pm 1/4"$. Thus, the difference d between points I and III should not exceed 1/4" (max.) at 66'.

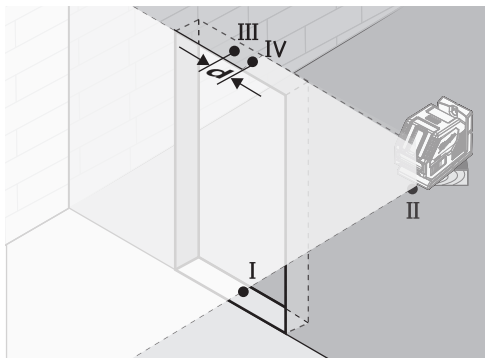
Vertical Leveling Accuracy

A door opening with approximately 8' of space on each side of the opening is required for this check.

1. Securely mount the tool 8' from one side of the door opening.
2. Turn the tool to  ON and press the mode button 2 times.
3. Position the tool with the laser towards the door opening. Allow the tool to self-level.
4. Mark the center of the vertical laser line on the floor in the middle of the door opening (point I), at a distance of 8' beyond the door opening (point II), and at the upper edge of the door opening (point III).



5. Move the laser level directly behind point II on the other side of the door. Align the vertical laser line so the center is directly aligned with points I and II.
6. Mark the center of the vertical line at the upper edge of the door opening (point IV).
7. Measure the height of the door opening.
8. The distance between points III and IV on the upper door opening is the vertical deviation (d) of the tool.



9. The maximum vertical deviation (d) is:
 $d_{max} = 2X H$ (door opening) $\times \pm 1/8" \div 33'$
Example: for a door opening height of 7', the maximum permitted deviation (d) is: $d_{max} = 2 \times 7' \times \pm 1/8" \div 33' = \pm 0.05"$. Therefore, the measurement between points III and IV on the upper door opening should not exceed 0.05" in a 7' doorway.

MAINTENANCE

⚠ WARNING To reduce the risk of injury, always remove the battery before performing any maintenance. Never disassemble the tool.

Maintain Laser Level

Maintain tools. If damaged, have the tool repaired before use. Accidents may be caused by poorly maintained tools.

⚠ WARNING To reduce the risk of personal injury and damage, never immerse your tool in liquid or allow a liquid to flow inside them.

Cleaning

Keep tool handles clean, dry and free of oil or grease. Use only mild soap and a damp cloth to clean the tool since certain cleaning agents and solvents are harmful to plastics and other insulated parts. Some of these include gasoline, turpentine, lacquer thinner, paint thinner, chlorinated cleaning solvents, ammonia and household detergents containing ammonia. Never use flammable or combustible solvents around tools.

Cleaning the Lenses

Blow off loose particles with clean compressed air. Carefully wipe the surface with a cotton swab moistened with water.

Repairs

This tool has limited serviceable parts. Do not open housing or disassemble tool. For repairs, return the tool to the nearest authorized service center.

ACCESSORIES

⚠ WARNING Use tools only with specifically designated accessories. Use of any other accessories may create risk of injury.

SERVICE - UNITED STATES

1-800-SAWDUST (1.800.729.3878)

Monday-Friday, 7:00 AM - 6:30 PM CST

or visit www.milwaukeetool.com

Contact Corporate After Sales Service Technical Support with technical, service/repair, or warranty questions.

Email: metproductsupport@milwaukeetool.com

Become a Heavy Duty Club Member at www.milwaukeetool.com to receive important notifications regarding your tool purchases.

SERVICE - CANADA

Milwaukee Tool (Canada) Ltd

1.800.268.4015

Monday-Friday, 7:00 AM - 4:30 PM CST

or visit www.milwaukeetool.ca

LIMITED WARRANTY USA & CANADA

Every MILWAUKEE power tool* (see exceptions below) is warranted to the original purchaser only to be free from defects in material and workmanship. Subject to certain exceptions, MILWAUKEE will repair or replace any part on an electric power tool which, after examination, is determined by MILWAUKEE to be defective in material or workmanship for a period of five (5) years** after the date of purchase unless otherwise noted. Return of the power tool to a MILWAUKEE factory Service Center location or MILWAUKEE Authorized Service Station, freight prepaid and insured, is required. A copy of the proof of purchase should be included with the return product. This warranty does not apply to damage that MILWAUKEE determines to be from repairs made or attempted by anyone other than MILWAUKEE authorized personnel, misuse, alterations, abuse, normal wear and tear, lack of maintenance, or accidents.

Normal Wear: Many power tools need periodic parts replacement and service to achieve best performance. This warranty does not cover repair when normal use has exhausted the life of a part including, but not limited to, chucks, brushes, cords, saw shoes, blade clamps, o-rings, seals, bumpers, driver blades, pistons, strikers, lifters, and bumper cover washers.

*This warranty does not cover Air Nailers & Staplers; Airless Paint Sprayer; Cordless Battery Packs; Gasoline Driven Portable Power Generators; Hand Tools; Hoist – Electric, Lever & Hand Chain; M12™ Heated Gear; Reconditioned Product; and Test & Measurement Products. There are separate and distinct warranties available for these products. **The warranty period for Job Site Radios, M12™ Power Port, M18™ Power Source, Jobsite Fan and Trade Titan™ Industrial Work Carts is one (1) year from the date of purchase. The warranty period for the M18 FUEL™ 1" D-Handle High Torque Impact Wrenches, Drain Cleaning Cables, AIRSNAKE™ Drain Cleaning Air Gun Accessories, REDLITHIUM™ USB Laser Levels, TRAPSNAKE™ 25' Auger w/ CABLE DRIVE™, FORCE LOGIC™ Press Tool Accessories and Green Cross Line Laser is two (2) years from the date of purchase. The warranty period for the M18™ Compact Heat Gun, 8 Gallon Dust Extractor, M18™ Framing Nailers, M18 FUEL™ 1/2" Ext. Anvil Controlled Torque Impact Wrench w/ ONE-KEY™, M18 FUEL™ 1" High Torque Impact Wrench w/ ONE-KEY™, M18 FUEL™ 2 Gal. Compact Quiet Compressor, M12™ Laser Levels, 165' Laser Detector, M12™ 23GA Pin Nailer, M18 FUEL™ 1/4" Blind Rivet Tool w/ ONE-KEY™, M12 FUEL™ Low Speed Tire Buffer, M18 FUEL™ Random Orbital Polishers, M18™ Utility Fencing Stapler, and the 72" Laser Tripod is three (3) years from the date of purchase. The warranty period for the LED in the LED Work Light and the LED Upgrade Bulb for the Work Light is the lifetime of the product subject to the limitations above. If during normal use the LED or LED Bulb fails, the part will be replaced free of charge. Warranty Registration is not necessary to obtain the applicable warranty on a MILWAUKEE power tool product. The manufacturing date of the product will be used to determine the warranty period if no proof of purchase is provided at the time warranty service is requested.

ACCEPTANCE OF THE EXCLUSIVE REPAIR AND REPLACEMENT REMEDIES DESCRIBED HEREIN IS A CONDITION OF THE CONTRACT FOR THE PURCHASE OF EVERY MILWAUKEE PRODUCT. IF YOU DO NOT AGREE TO THIS CONDITION, YOU SHOULD NOT PURCHASE THE PRODUCT. IN NO EVENT SHALL MILWAUKEE BE LIABLE FOR ANY INCIDENTAL, SPECIAL, CONSEQUENTIAL OR PUNITIVE DAMAGES, OR FOR ANY COSTS, ATTORNEY FEES, EXPENSES, LOSSES OR DELAYS ALLEGED TO BE AS A CONSEQUENCE OF ANY DAMAGE TO, FAILURE OF, OR DEFECT IN ANY PRODUCT INCLUDING, BUT NOT LIMITED TO, ANY CLAIMS FOR LOSS OF PROFITS. SOME STATES DO NOT ALLOW THE EXCLUSION OR LIMITATION OF INCIDENTAL OR CONSEQUENTIAL DAMAGES, SO THE ABOVE LIMITATION OR EXCLUSION MAY NOT APPLY TO YOU. THIS WARRANTY IS EXCLUSIVE AND IN LIEU OF ALL OTHER EXPRESS WARRANTIES, WRITTEN OR ORAL. TO THE EXTENT PERMITTED BY LAW, MILWAUKEE DISCLAIMS ANY IMPLIED WARRANTIES, INCLUDING WITHOUT LIMITATION ANY IMPLIED WARRANTY OF MERCHANTABILITY OR FITNESS FOR A PARTICULAR USE OR PURPOSE; TO THE EXTENT SUCH DISCLAIMER IS NOT PERMITTED BY LAW, SUCH IMPLIED WARRANTIES ARE LIMITED TO THE DURATION OF THE APPLICABLE EXPRESS WARRANTY AS DESCRIBED ABOVE. SOME STATES DO NOT ALLOW LIMITATIONS ON HOW LONG AN IMPLIED WARRANTY LASTS, SO THE ABOVE LIMITATION MAY NOT APPLY TO YOU, THIS WARRANTY GIVES YOU SPECIFIC LEGAL RIGHTS, AND YOU MAY ALSO HAVE OTHER RIGHTS WHICH VARY FROM STATE TO STATE.

This warranty applies to product sold in the U.S.A. and Canada only. Please consult the 'Service Center Search' in the Parts & Service section of MILWAUKEE's website www.milwaukeetool.com or call 1.800.SAWDUST (1.800.729.3878) to locate your nearest service facility for warranty and non-warranty service on a Milwaukee electric power tool.

RÈGLES DE SÉCURITÉ GÉNÉRALES RELATIVES AUX OUTILS ÉLECTRIQUES

⚠ AVERTISSEMENT Lire et veiller à bien comprendre toutes les instructions. Le non-respect des instructions ci-dessous peut entraîner un choc électrique, un incendie et des blessures graves. **Garder tous les avertissements et toutes les consignes à des effets de référence ultérieure.**

• **Conservé ces instructions** - Ce manuel d'utilisation contient d'importantes instructions de sécurité et de fonctionnement.

SÉCURITÉ DU LASER

⚠ AVERTISSEMENT Ce dispositif émet des faisceaux laser visibles, qui sont émis depuis l'outil.

• **Ce dispositif est conforme à la norme 21 cfr 1040.10 et 1040.11, sauf la conformité à la norme iec 60825-1 ed. 3., tel que décrit dans la notice du laser n° 56, du 8 mai 2019.**

• **Lampe laser - ne pas regarder directement dans le faisceau et ne pas voir dans le laser à l'aide d'instruments optiques. Ne pas diriger la lampe laser vers les autres.** La lumière du laser peut causer des lésions oculaires.

SÉCURITÉ DU LIEU DE TRAVAIL

• **Veillez s'assurer qu'il y ait les protections correspondantes au lieu de travail (c'est-à-dire, surveiller le site lorsqu'on mesure les chemins, les chantiers de construction, etc.).**

• **Éviter les environnements dangereux.** Ne pas exposer le dispositif à la pluie ou à la neige et ne pas l'utiliser dans un endroit humide ou mouillé. Ne pas utiliser le dispositif au milieu d'atmosphères explosives (où l'on trouve de fumées gazeuses, de la poussière ou bien, de matériaux inflammables).

SECURITE PERSONNELLE

• **Ne pas laisser personne n'ayant aucune idée de comment ce dispositif fonctionne s'approcher de l'outil, de ces instructions de sécurité et du manuel d'utilisation.** Cet outil pourra représenter un danger si utilisé par d'utilisateurs débutants.

• **Ne pas travailler hors de portée. Toujours se tenir bien campé et en équilibre.** Une bonne stabilité procure un meilleur contrôle de l'outil en cas de situation imprévue.

UTILISATION ET ENTRETIEN DE LA BATTERIE

- Cet outil a été conçu pour fonctionner à piles AA correctement installés dans l'outil. Ne pas tenter d'utiliser le produit à une autre tension ou avec un autre type d'alimentation.
- Ne pas laisser les piles à la portée des enfants.
- Ne pas combiner des piles neuves et usagées. Ne pas mélanger des piles de marques différentes (ou des piles de même marque mais de types différents).
- Ne pas mélanger des piles rechargeables et non rechargeables.
- Mettre les piles en respectant la polarité (+ / -) indiquée.
- Se débarrasser adéquatement des piles usagées.
- Ne pas brûler ni démonter les piles.
- En cas d'usage abusif, du liquide peut s'échapper des piles. Éviter tout contact avec ce liquide. En cas de contact accidentel, rincer immédiatement les parties atteintes avec de l'eau. Si le liquide entre en contact avec les yeux, consulter un médecin. Le liquide s'échappant des batteries peut causer des irritations ou des brûlures.

RÈGLES DE SÉCURITÉ SPÉCIFIQUES POUR LES NIVEAUX LASER

- Faire attention à toute action erronée qui résulte d'une anomalie dans l'outil ou bien, si l'outil est tombé, mal utilisé ou modifié.
- Veillez à assurer que les aimants de l'outil soient bien fixés à une surface en métal. Il est possible que la puissance de l'aimant l'empêche de se fixer sur de surfaces en métal fines, ce qui causera la chute de l'outil.
- Le dispositif est conforme aux exigences les plus strictes des Normes et Réglementations de Compatibilité Electromagnétique (EMC). Néanmoins, il n'est pas tout à fait impossible que d'autres dispositifs causent de brouillage.
- **ATTENTION** L'usage de contrôles, de réglages ou de procédures ne figurant pas dans ce manuel peut entraîner l'exposition à des rayonnements dangereux.
- Veillez à mettre l'instrument hors tension après l'utilisation. Si l'instrument n'est pas utilisé pendant une longue période, l'entreposer après avoir retiré piles.
- Toujours faire preuve de bons sens et procéder avec prudence lors de l'utilisation d'outils. C'est impossible de prévoir toutes les situations dont le résultat est dangereux. Ne pas utiliser cet outil si vous ne comprenez pas ces instructions d'opération ou si vous pensez que le travail dépasse votre capacité ; veuillez contacter Milwaukee Tool ou un professionnel formé pour recevoir plus d'information ou formation.
- Maintenir en état les étiquettes et les plaques signalétiques. Des informations importantes y figurent. Si elles sont illisibles ou manquantes, contacter Milwaukee pour un remplacement gratuit.

FC Federal Communications Commission
AVERTISSEMENT Toute modification apportée à l'unité qui n'a pas été expressément approuvée par le responsable de la conformité du produit pourrait suffire à révoquer le droit de l'utilisateur à se servir de l'équipement.

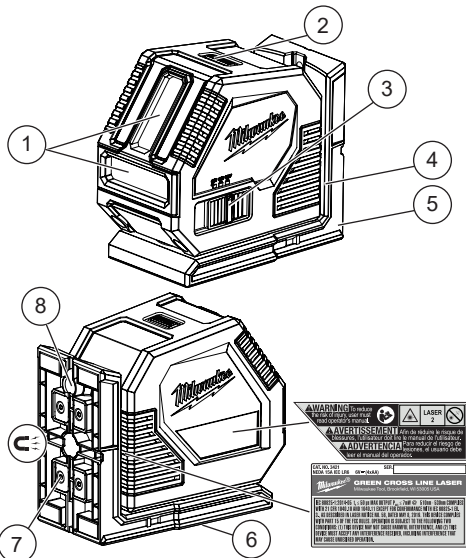
Après avoir effectué un essai à l'équipement, il a été déterminé que celui-ci est conforme aux normes relatives à un appareil numérique de classe B, selon la partie 15 des règles de la FCC. Ces limites sont conçues pour assurer une protection raisonnable contre les perturbations nuisibles dans une installation résidentielle. Cet équipement produit, utilise et peut irradier une énergie haute fréquence et, s'il n'est pas installé conformément aux présentes instructions, peut causer le brouillage des communications radio.

Toutefois, il n'existe aucune garantie que le brouillage ne se produira pas dans une installation donnée. Si cet équipement cause du brouillage de la réception d'émissions de radio ou de télévision, ce qui peut être déterminé en l'éteignant et en le rallumant, il est conseillé que l'utilisateur essaie de corriger le problème en prenant l'une ou plusieurs des mesures suivantes :

- Réorientation de l'antenne réceptrice.
- Augmentation de la distance entre le matériel et le récepteur.
- Consulter le concessionnaire ou un technicien radio/TV qualifié pour obtenir de l'aide.

SPÉCIFICATIONS

No de Cat.....	3421
Tension	6 CD
Type de batterie	4x(AA) NEDA 15A IEC LR6
Laser	Classe 2
Puissance maximale de lignes	$P_{AVG} \leq 7$ mW
Fréquence	10 KHz
Mode quotidien de durée de pulse	Continu
Économie de puissance de durée de pulse .	$T_p \leq 50$ μ s
Longueur d'onde.....	510 à 530 nm
Divergence de faisceau de ligne	1 rad
Température d'entreposage.....	-20°C to 60°C (-4°F to 140°F)
Plage de travail.....	30 m (100')
Plage à détecteur	50 m (165')
Précision	3 mm ($\pm 1/8$ ") à 10 m (33')
Temps d'ajustage.....	< 3 secondes
Montage sur trépied.....	1/4"-20
Indice de protection	IP54
Coefficient de chute	1 m
Nivellement.....	Automatique de ± 4 d'un côté à l'autre et de l'avant à l'arrière
Température ambiante de fonctionnement recommandée	-20°C à 40°C (-4°F à 104°F)



- 1. Ouvertures laser
- 2. Bouton mode laser
- 3. Bouton ON / OFF
- 4. Couvercle des piles
- 5. Support de pivot
- 6. Insert fileté
- 7. Aimants
- 8. Trou de clou/vis

PICTOGRAPHIE

V Volts

—|—|—| Courant direct

RAYONNEMENT LASER NE PAS REGARDER DIRECTEMENT DANS LE FAISCEAU PRODUIT LASER DE CLASSE 2

Aimants

Lire le manuel d'utilisation

Retrait/insertion des piles

Pour **retirer** les piles, faites pivoter le laser sur le support à 180°, puis déclipsez le couvercle des piles. Tirez doucement sur l'attache de la batterie pour libérer les 4 piles (AA).

⚠ AVERTISSEMENT Retirez toujours les piles avant de changer ou de retirer des accessoires.

Pour **insérer** les piles, poussez doucement les piles AA en place selon les instructions au bas du port des piles. Fermez le couvercle de la batterie. Assurez-vous qu'il s'enclenche solidement en place.

⚠ AVERTISSEMENT L'emploi d'accessoires autres que ceux qui sont expressément recommandés pour cet outil peut comporter des risques.

Détecteur/Mode économie d'énergie

Utilisez le mode Détecteur/Économie d'énergie avec le Détecteur de ligne laser MILWAUKEE 48-35-1211 pour prolonger l'autonomie de la batterie. Activez manuellement le Mode Détecteur/Économie D'Énergie en maintenant le bouton Mode enfoncé pendant 3 secondes. La portée visuelle sera réduite lorsque le mode Détecteur/Économie d'Énergie est activé. Le Mode D'Économie D'Énergie est indiqué lorsque la sortie laser clignotante apparaît avec environ 30 minutes de batterie restante.

Indicateur de batterie faible

Pour indiquer une batterie faible (environ 30 minutes de batterie durée de vie restante*), les lignes laser clignotent :

- En mode déverrouillé **ON** - 3 fois toutes les 4 secondes
- En mode verrouillé **ON** - 3 fois toutes les 8 secondes

L'indicateur de batterie faible clignotera jusqu'à ce que les piles sont retirées et remplacées.

Pendant l'auto-nivellement, l'indicateur de niveau insuffisant (clignotant 3 fois par seconde) remplacera la batterie faible indicateur.

NOTE: La durée de vie de la batterie peut varier selon la marque/l'âge. Remplacez les piles dès que possible.

⚠ AVERTISSEMENT Afin de minimiser le risque de blessures et de dommages, monter/attacher fermement le laser avant d'entreprendre une opération. Des blessures/dommages pourront survenir si le laser tombe.

Montage/ajustage du niveau laser

C'est possible d'utiliser le support de pivot pour monter le niveau laser de plusieurs façons :

- Utiliser les aimants intégrés pour fixer le niveau laser sur les goujons en acier, les poutres en acier, etc.
- Se servir de la rainure de plots de support pour accrocher le niveau laser sur le mur à l'aide d'une vis ou d'un clou.
- Mettre le niveau laser sur une surface plate.
- Mettre le laser et/ou la plaque de montage murale sur une surface stable.
- Se servir d'un filet rapporté de 1/4"-20 pour le monter sur un trépied.
- Une fois le niveau est monté, utiliser les boutons de micro-réglage pour affiner les lignes verticales.

MANIEMENT

AVERTISSEMENT Afin de minimiser le risque de blessures ou d'effets temporaires de vision, ne pas regarder directement dans le laser lorsqu'il est allumé.

ATTENTION L'usage de contrôles, de réglages ou de procédures ne figurant pas dans ce manuel peut entraîner l'exposition à des rayonnements dangereux.

AVIS Effectuer une révision de précision sur le champ au moment où chaque niveau laser est sorti de sa boîte et avant de l'exposer aux conditions du chantier. Pour de plus amples renseignements, voire la section « Vérification de précision sur champ ».

Mise en marche et à l'arrêt

Pour allumer le laser et déverrouiller le pendule, mettez le bouton Marche/Arrêt sur la position souhaitée. **AVERTISSEMENT!** Ne regardez pas directement dans les ouvertures laser. Une ligne de niveau horizontale sera immédiatement émise par l'ouverture dans le boîtier du laser.

ON ALLUME le laser et déverrouille le pendule à des effets de mise de niveau automatique.

ON ALLUME le laser, mais le pendule n'est pas déverrouillé (la mise de niveau automatique est désactivée). Les lignes du laser clignoteront une fois toutes les 8 secondes pour vous laisser savoir que les lignes projetées ne sont pas nivelées ou en aplomb. **AVIS** : Le mode **ON** rend inactive la mise de niveau automatique. Alors, ceci n'est pas conçu pour la projection d'un niveau ou d'une ligne d'aplomb.

OFF ÉTEINT le laser et verrouille le pendule. Lorsqu'il n'est pas utilisé, éteindre l'outil et ranger le niveau laser dans l'étui protectif de transport.

Utilisez le bouton MODE pour parcourir les trois modes laser :

1. Mode horizontal
2. Mode vertical
3. Mode croisé

Usage du niveau laser

1. Afin d'achever les meilleurs résultats, mettre l'outil sur une surface de travail qui soit :
 - firme
 - nivelée (environ 4 degrés du niveau réel)
 - exempte de vibrations
 - 90° vers l'aire de travail
2. Allumer l'outil et appuyer sur les boutons de sélection de plan désiré.
3. L'outil se nivelle automatiquement lorsqu'il est placé sur des surfaces à moins de 4 degrés du niveau réel lorsque l'interrupteur est déverrouillé et activé **ON**.
4. L'outil sera prêt une fois que les lignes émises sont continues et ne se bougent plus sur la surface de travail.
5. Si l'outil n'arrive pas à achever un état de nivellement (c'est-à-dire, la surface de travail est > 4 degrés hors du niveau réel), les faisceaux du laser clignoteront vite (3 flashes par seconde). Ajuster ou rajuster la surface de travail.

Dépannage

Si l'outil ne s'allume pas :

- S'assurer que les piles sont correctement installées.
 - S'assurer que les piles sont bonnes.
 - S'assurer que la température interne de l'outil se trouve auprès des plages de fonctionnement indiquées. Si l'outil a été rangé dans de conditions de chaleur ou froid extrême, le laisser, pendant deux heures, s'ajuster à la température ambiante avant de l'allumer.
- Si le problème persiste, contacter une installation de réparations MILWAUKEE à des fins d'assistance.

REVISION DE PRECISION SUR CHAMP

AVIS Effectuer une révision de précision sur le champ au moment où chaque niveau laser est sorti de sa boîte et avant de l'exposer aux conditions du chantier. Pour de plus amples renseignements, voire la section « Vérification de précision sur champ ». Si jamais une anomalie est trouvée par rapport à l'efficacité listée du produit, veuillez contacter un centre de réparations MILWAUKEE. La faute de cette procédure pourra entraîner le rejet de la réclamation de la garantie.

Influences sur la précision

Les gradients de la température ambiante pourront affecter la précision du laser. Afin d'achever de résultats précis et reproductibles, il faut suivre les étapes de la procédure suivante en tenant le laser élevé du sol et mis au milieu de l'aire de travail.

L'usage abusif du niveau laser, tel que les impacts excessifs à cause de chutes, pourront aussi causer de déviations dans la précision du produit.

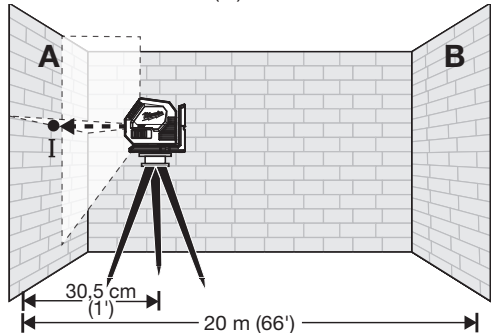
Il est donc conseillé d'effectuer la procédure de vérification sur champ après tout choc et avant d'entreprendre toute tâche critique

Précision de hauteur horizontale

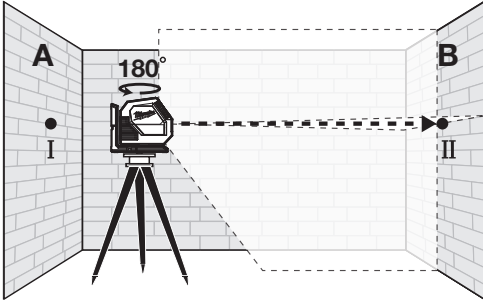
Pour effectuer cette vérification, une jauge de distance de mesure approximative de 20 m (66') dans une surface ferme entre deux murs ou structures A et B est requise.

Il est aussi conseillé de monter le niveau laser sur un trépied à des fins d'un ajustage facile.

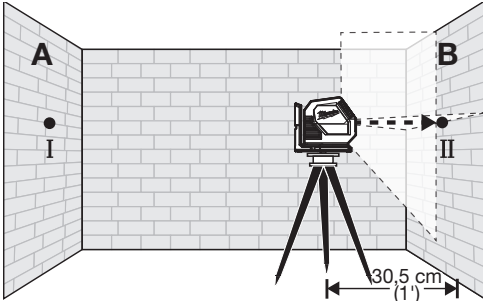
1. Monter fermement l'outil à une distance approximative de 30,5 cm (1') du mur A.



2. Mettez l'outil en marche ON et appuyez 3 fois sur le bouton de mode.
3. Diriger le faisceau avant du laser en direction du mur A le plus proche et laisser l'outil parvenir à se mettre de niveau automatiquement. Marquer le centre de l'intersection du laser sur le mur (point I).
4. Tourner l'outil de 180° sans changer la hauteur, le laisser parvenir à se mettre de niveau automatiquement et marquer le centre de l'intersection du laser sur le mur B qui se trouve de l'autre côté (point II).

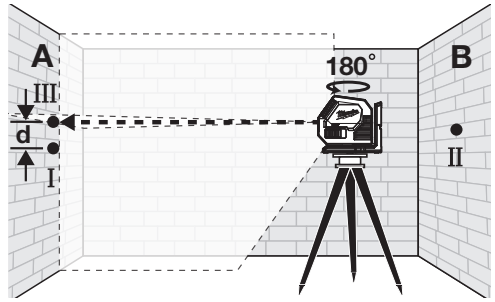


5. Déplacez l'outil à moins de 305 mm (1') du mur B. Laissez le laser se mettre à niveau automatiquement. Alignez la croix laser dans la direction générale du point II sur le mur B.



6. Déplacer l'outil auprès de 30,5 cm (1') du mur B. Laissez le laser parvenir à se mettre de niveau automatiquement. Aligner l'intersection du laser vers la direction générale du point II qui se trouve sur le mur B.

7. Tourner l'outil de 180° sans changer la hauteur, le laisser parvenir à se mettre de niveau automatiquement et marquer le centre de l'intersection du laser sur le mur A (point III). Le point III devra être aligné aussi vertical, au-dessous ou au-dessus du point I du mur A, que possible.



8. La distance entre les points I et III sur le mur A représente la déviation (d) de hauteur de l'outil. Cette distance ne devra pas dépasser 3 mm (1/8") (max.) à 91 cm (3') (13 mm [1/2"] à 40 m [132']). Par rapport à la distance de mesure de 2 x 20 m [66"] = x 40 m (132'), la déviation maximale permise (d) est: $40 \text{ m (132')} \times \pm 3 \text{ mm } (\pm 1/8") \div 10 \text{ m (33')} = 13 \text{ mm } (\pm 1/2")$.

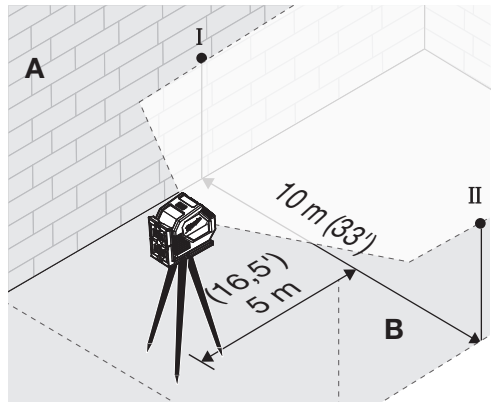
Précision de nivellement horizontal

Pour effectuer cette vérification, une jauge d'espace de mesure approximative de 10 m x 10 m (33' x 33') dans une surface ferme entre deux murs ou structures A et B est requise.

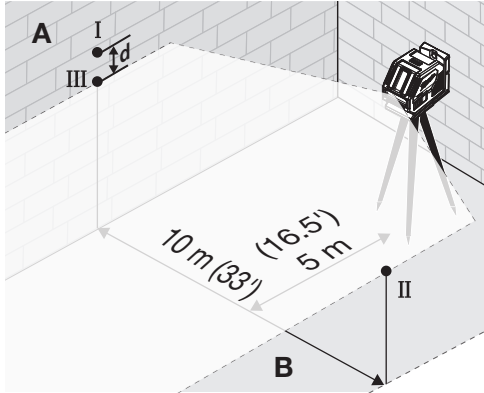
Il est aussi conseillé de monter le niveau laser sur un trépied à des fins d'un ajustage facile.

Monter fermement l'outil dans un côté de la pièce et le centrer entre les murs A et B. Diriger les lignes du laser vers l'autre côté de la pièce, d'une façon telle que la ligne horizontale se montre sur tous les deux murs, A et B. Laissez l'outil parvenir à se mettre de niveau automatiquement.

1. Mettez l'outil sur ON.
2. À une distance de 5 m (16,5') du laser, marquer le centre de la ligne horizontale sur le mur A (point I). Répéter cette même étape pour le mur B (point II).



- Déplacer le laser de 10 m (33') en direction de l'autre mur et tourner le laser de 180°. Laisser le laser parvenir à se mettre de niveau automatiquement.
- Ajuster la hauteur de l'outil (à l'aide du trépied ou en ajoutant de cales, si nécessaire) d'une façon telle que le centre de la ligne horizontale soit projeté exactement sur le point II marqué auparavant sur le mur B. Veuillez s'assurer que le laser parvienne à se mettre de niveau automatiquement après l'alignement.
- Marquer le centre de la ligne horizontale sur le mur A (point III). Veuillez prendre soin de que le point III s'aligne, autant vertical que possible, sur le point I ou au-dessus de ce point.
- La distance d entre les points I et III marqués sur le mur A représente la déviation réel (d) de l'outil.

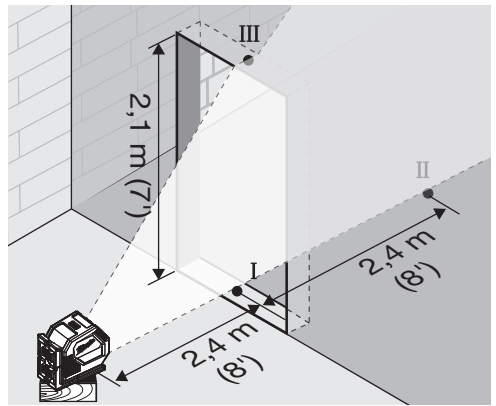


- Par rapport à la distance de mesure de 2 x 10 m (33') = 20 m (66'), la déviation maximale permise (d) est : $20 \text{ m (66')} \times \pm 3 \text{ mm } (\pm 1/8'') + 10 \text{ m (33')} = 13 \text{ mm } (\pm 1/4'')$ La différence d maximale entre les points I et III ne doit donc pas dépasser les 1/4" à 20 m (66').

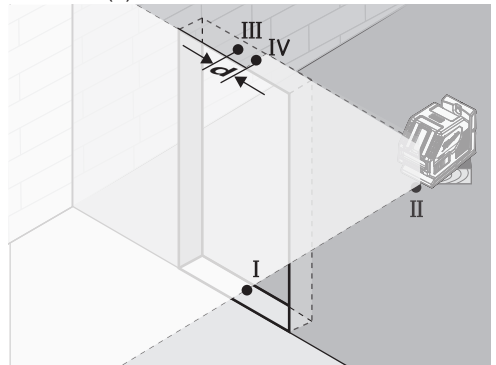
Précision de nivellement vertical

L'ouverture d'une porte ayant vers de 2,4 m (8') de jauge entre chaque côté de l'ouverture est requise afin d'effectuer cette vérification.

- Monter fermement l'outil à une distance de 2,4 m (8') par rapport à chaque côté de l'ouverture de la porte.
- Mettez l'outil sur ON et appuyez 2 fois sur le bouton de mode. Mettre l'outil du laser en direction de l'ouverture de la porte. Laissez l'outil parvenir à se mettre de niveau automatiquement.
- Positionnez l'outil avec le laser en direction de l'ouverture de la porte. Laissez l'outil se mettre à niveau.
- Marquer le centre de la ligne du laser vertical sur le plancher, au milieu de l'ouverture de la porte (point I), à une distance de 2,4 m (8') au-delà de l'ouverture de la porte (point II) et sur le bord supérieur de celle-ci (point III).



- Déplacer le niveau laser directement en arrière du point II sur l'autre côté de la porte. Aligner la ligne du laser vertical d'une façon telle que le centre soit directement aligné sur les points I et II.
- Marquer le centre de la ligne verticale sur le rebord supérieur de l'ouverture de la porte (point IV).
- Mesurer la hauteur de l'ouverture de la porte.
- La distance entre les points III et IV sur l'ouverture de la porte supérieure représente la déviation vertical (d) de l'outil.



- La déviation verticale maximale (d) est : $d_{\text{max}} = 2 \times H \text{ (ouverture de la porte)} \times \pm 3 \text{ mm } (\pm 1/8'') + 10 \text{ m (33')} \text{ Par exemple : pour une hauteur de } 2,1 \text{ m (7')} \text{ d'ouverture de porte, la déviation maximale acceptée (d) est : } d_{\text{max}} = 2 \times 2,1 \text{ m (7')} \times \pm 3 \text{ mm } (\pm 1/8'') + 10 \text{ m (33')} = \pm 1,3 \text{ cm } (\pm 0,05'')$ La mesure entre les points III et IV sur l'ouverture de la porte supérieure ne devra donc pas dépasser 1,3 cm (0,5") dans une embrasure de porte de 2,1 m (7').

ENTRETIEN

AVERTISSEMENT Afin de minimiser le risque de blessures, toujours enlever les piles avant d'effectuer tout entretien. Ne jamais démonter l'outil.

Entretien du niveau laser

Entretien les outils. En cas de dommages, faire réparer l'outil avant de l'utiliser. Les accidents pourront survenir à cause d'outils mal entretenus.

AVERTISSEMENT Afin de minimiser le risque de blessures physiques ou de dommages, ne jamais immerger l'outil dans un liquide et ne laisser aucun liquide entrer dans l'outil.

Nettoyage

Garder les poignées de l'outil propres, sèches et exemptes d'huile ou de graisse. Utiliser uniquement un savon doux et un linge humide, car certains agents de nettoyage et certains solvants peuvent détériorer le plastique et les autres pièces isolées. En voici quelques exemples : l'essence, la térébenthine, les diluants à laque ou à peinture, les solvants chlorés, l'ammoniaque et les détergents à usage domestique qui en contiennent. Ne jamais utiliser de solvants inflammables ou combustibles autour des outils.

Nettoyage des lentilles

Souffler les particules volantes à l'aide de l'air comprimé propre. Nettoyer soigneusement la surface à l'aide d'un coton-tige imbibé de l'eau.

Réparations

Cet outil a un nombre limité de pièces réparables. N'ouvrez pas le boîtier et ne démontez pas l'outil. Pour les réparations, renvoyez l'outil au centre de service agréé le plus proche.

ACCESSOIRES

AVERTISSEMENT N'utiliser les outils qu'avec les accessoires spécifiquement recommandés. L'usage de tout autre accessoire peut entraîner un risque de blessure.

SERVICE - CANADA

Milwaukee Tool (Canada) Ltd

1.800.268.4015

Monday-Friday, 7:00 AM - 4:30 PM CST

www.milwaukeetool.ca

GARANTIE LIMITÉE - AUX ÉTATS-UNIS ET AU CANADA

Chaque outil électrique* MILWAUKEE (voir les exceptions ci-dessous) est garanti uniquement à l'acheteur d'origine d'être exempt de tous défauts de matériel et de main-d'œuvre. Sous réserve de certaines exceptions, MILWAUKEE réparera ou remplacera toute pièce d'un outil électrique qui, après examen par MILWAUKEE, est affectée d'un vice de matériel ou de main-d'œuvre pendant une période de cinq (5) ans* après la date d'achat, sauf indication contraire. Il faudra retourner l'outil électrique à un centre de service en usine MILWAUKEE ou à un poste d'entretien agréé MILWAUKEE, en port préparé et assuré. Une copie de la preuve d'achat doit être présentée lors du retour du produit. Cette garantie ne couvre pas les dommages que MILWAUKEE détermine d'être causés par des réparations ou des tentatives de réparation par quiconque d'autre que le personnel agréé par MILWAUKEE, des utilisations incorrectes, des altérations, des utilisations abusives, une usure normale, une carence d'entretien ou les accidents.

Usure normale : Par rapport à plusieurs outils électriques, il faut remplacer et entretenir leurs pièces afin d'achever leur rendement optimal. Cette garantie ne couvre pas les cas de réparation lorsque la vie utile normale de la pièce s'est terminée, incluant, sans s'y limiter, les mandrins, les balais, les câbles, les patins de scie, les brides de lame, les joints toriques, les embouts, les buttoirs, les lames d'entraînement, les pistons, les perceurs, les poussoirs et les rondelles de protection de butoir.

*Cette garantie ne s'applique pas aux clouuses-agrafeuses pneumatiques, aux pulvérisateurs à peinture sans air, aux blocs-piles pour outils sans fil, aux générateurs d'alimentation portatifs à essence, aux outils à main, aux monte-charge électriques, à levier et à chaîne (manuel), aux vêtements chauffants M12™, aux produits résinés, ni aux produits d'essai et de mesure. Il y a d'autres garanties différentes disponibles pour ces produits.

**La période de garantie couvrant les radios de chantier, le port d'alimentation M12™, la source d'alimentation M18™, le ventilateur de chantier et les chariots de chantier industriels Trade Titan™ est d'une durée d'un (1) an à partir de la date d'achat. La période de la garantie pour les clés à chocs à couple élevé à poignée en « D » de 1" M18 FUEL™, les câbles de nettoyage de drain, les accessoires pour pistolet pneumatique de nettoyage de drains AIRSNAKE™, les niveaux laser USB REDLITHIUM™, les furets de 0,3 m (25") TRAPSNAKE™ avec CABLE DRIVE™, les accessoires d'outils de pressage de FORCE LOGIC™ et laser à lignes croisées vertes est d'une durée de deux (2) ans à partir de la date d'achat. La période de la garantie pour le pistolet thermique compact M18™, l'extracteur de poussière de 30,3 l (8 gal), les clouuses de charpenterie M18™, la clé à chocs à couple contrôlé à anclage extérieure de 1/2" M18 FUEL™ avec ONE-KEY™, la clé à chocs à couple élevé de 1" M18 FUEL™ avec ONE-KEY™, le compresseur silencieux compact de 7,6 l (2 gal.) M18 FUEL™, les niveaux laser M12™, le détecteur de laser de 19,8 m (165'), la clouuse à chevilles 23 GA M12™, la riveteuse aveugle de 6,4 mm (1/4") M18 FUEL™ avec ONE-KEY™, le tampon de pneus basse vitesse M12 FUEL™, les polisseuses à orbite aléatoire M18 FUEL™, les agrafeuses utilitaires pour clôture M18™, et le triépied laser de 1,8 m (72") est d'une durée de trois (3) ans à partir de la date d'achat. La période de la garantie pour la lumière à DEL d'une lampe de travail à DEL et l'ampoule transformée à DEL d'une lampe de travail est d'une durée égale à la vie utile du produit en raison des limites précédentes. Si la lumière à DEL ou l'ampoule à DEL tombe en panne durant l'usage normal, la pièce devra être remplacée gratuitement. L'inscription de la garantie n'est pas nécessaire pour bénéficier de la garantie en vigueur d'un outil électrique MILWAUKEE. La date de fabrication du produit servira à établir la période de garantie si aucune preuve d'achat n'est fournie lorsqu'une demande de service sous garantie est faite.

L'ACCEPTATION DES RECOURS EXCLUSIFS DE RÉPARATION ET DE REMPLACEMENT DÉCRITS PAR LA PRÉSENTE EST UNE CONDITION DU CONTRAT D'ACHAT DE TOUT PRODUIT MILWAUKEE. SI VOUS N'ACCEPTÉZ PAS CETTE CONDITION, VOUS NE DEVEZ PAS ACHETER LE PRODUIT. EN AUCUN CAS MILWAUKEE NE SAURAIT ÊTRE RESPONSABLE DE TOUT DOMMAGE ACCESSOIRE, SPÉCIAL OU INDIRECT, DE DOMMAGES-INTÉRÊTS PUNITIFS OU DE TOUTE DÉPENSE, D'HONORAIRES D'AVOCATS, DE FRAIS, DE PERTE OU DE DÉLAIS ACCESSOIRES À TOUT DOMMAGE, DÉFAILLANCE OU DÉFAUT DE TOUT PRODUIT, Y COMPRIS NOTAMMENT LES PERTES DE PROFIT, CERTAINS ÉTATS ET PROVINCES NE PERMETTANT L'EXCLUSION OU LA LIMITATION DES DOMMAGES DIRECTS OU INDIRECTS, LES RESTRICTIONS CI-DESSOUS PEUVENT NE PAS ÊTRE APPLICABLES. CETTE GARANTIE EST EXCLUSIVE ET REMPLACE TOUTE AUTRE GARANTIE EXPRESSE, QU'ELLE SOIT VERBALE OU ÉCRITE. DANS LA MESURE PERMISE PAR LA LOI, MILWAUKEE RENONCE À TOUTE GARANTIE IMPLICITE, Y COMPRIS, SANS S'Y LIMITER, TOUTE GARANTIE IMPLICITE DE COMMERCIALISABILITÉ OU D'ADAPTATION À UNE UTILISATION OU À UNE FIN PARTICULIÈRE. DANS LA MESURE OU UNE TELLE STIPULATION D'EXONÉRATION N'EST PAS PERMISE PAR LA LOI, LA DURÉE DE CES GARANTIES IMPLICITES EST LIMITÉE À LA PÉRIODE APPLICABLE DE LA GARANTIE EXPRESSE, TELLE QUE CELA EST DÉCRIT PRÉCÉDEMMENT. CERTAINES PROVINCES NE PERMETTANT PAS DE LIMITATION DE DURÉE DES GARANTIES IMPLICITES, LES RESTRICTIONS CI-DESSOUS PEUVENT NE PAS ÊTRE APPLICABLES. LA PRÉSENTE CONFÈRE À L'UTILISATEUR DES DROITS LÉGAUX PARTICULIERS; IL BÉNÉFICIE ÉGALEMENT D'AUTRES DROITS QUI VARIENT D'UNE PROVINCE À L'AUTRE. Cette garantie s'applique uniquement aux produits vendus aux États-Unis et au Canada.

Veuillez consulter l'ongle « Trouver un centre de service », dans la section « Pièces et service » du site web de MILWAUKEE, à l'adresse www.milwaukeetool.com, ou composer le 1-800-SAWDUST (1-800-729-3878) afin de trouver le centre de service de votre région le plus proche pour l'entretien, sous garantie ou non, de votre outil électrique Milwaukee.

ADVERTENCIAS DE SEGURIDAD GENERALES PARA LA HERRAMIENTA ELÉCTRICA

- ⚠️ ADVERTENCIA** Lea y comprenda todas las instrucciones. No seguir todas las instrucciones que se enumeran a continuación podría provocar una descarga eléctrica, incendio o lesiones graves. **Guarde todas las advertencias e instrucciones para futura consulta.**
- **Guarde estas instrucciones:** este manual del operador contiene instrucciones importantes de seguridad y operación.

SEGURIDAD DEL LÁSER

- ⚠️ ADVERTENCIA** El dispositivo produce rayos láser visibles, los cuales son emitidos desde la herramienta.
- Este dispositivo cumple con la norma 21 cfr 1040.10 Y 1040.11 Excepto cuando cumple con la norma 60825 -1 ed. 3., Descrita en el aviso del láser 56, con fecha del 8 de mayo de 2019.
 - Luz láser - no mire fijamente al rayo ni lo vea directamente con instrumentos ópticos. No dirija la luz láser a otras personas. La luz láser puede causar daño a los ojos.

SEGURIDAD EN EL ÁREA DE TRABAJO

- Asegúrese de que haya protecciones adecuadas en el sitio de trabajo (por ej., revisión del sitio al realizar mediciones en carreteras, obras de construcción, etc.).
- Evite los entornos peligrosos. Evite la exposición prolongada en la lluvia, nieve o lugares húmedos o mojados. No se use en presencia de atmósferas explosivas (vapores gaseosos, polvo o materiales inflamables).

SEGURIDAD PERSONAL

- No permita que operen esta herramienta personas que no estén familiarizadas con el aparato, estas instrucciones de seguridad y el manual del operador de la herramienta. Esta herramienta puede ser peligrosa en manos de usuarios sin capacitación.
- No estire el cuerpo demasiado. Mantenga una posición segura y equilibrada adecuada en todo momento. Esto permite un mejor control de la herramienta en situaciones inesperadas.

USO Y CUIDADO DE LAS HERRAMIENTAS CON BATERÍA

- Esta herramienta está diseñada para funcionar con baterías AA insertadas correctamente en la herramienta. No intente utilizarla con otro voltaje o fuente de alimentación.
- No deje las baterías al alcance de los niños.
- No mezcle baterías nuevas y usadas. No mezcle marcas (o diferentes tipos de las mismas marcas) de baterías.
- No mezcle baterías recargables y no recargables.
- Instale la batería de acuerdo con los diagramas de polaridad (+/-).
- De inmediato, deseche correctamente las baterías usadas.
- No incinere ni desmantele las baterías.
- Bajo condiciones de maltrato, el líquido puede ser expulsado de la batería, evite el contacto. Si ocurre un contacto accidental, enjuague con agua. Si el líquido entra a los ojos, busque también ayuda médica. El líquido expulsado de la batería puede causar irritación o quemaduras.

REGLAS ESPECÍFICAS DE SEGURIDAD PARA LOS NIVELES DE LÁSER

- Esté alerta a resultados erróneos si la herramienta está defectuosa o si cayó al suelo, se utilizó incorrectamente o se modificó.
- Asegúrese de que los imanes de la herramienta estén montados fijamente a una superficie de metal. La fuerza del imán puede no sostenerse en superficies metálicas delgadas, provocando que se caiga la herramienta.
- El dispositivo cumple con los requisitos más exigentes de las normas y reglamentos relevantes de compatibilidad electromagnética (EMC). Sin embargo, no puede excluirse por completo la posibilidad de que se ocasione interferencia en otros dispositivos.
- **⚠️ ATENCIÓN** El uso de controles o ajustes, o el desempeño de los procedimientos que no sean los que se especifican aquí puede provocar una exposición peligrosa a la radiación.
- Asegúrese de apagar el instrumento después de utilizarlo. Cuando no se utilice el instrumento por un periodo largo, almacénelo después de retirar las baterías.
- Válgase siempre de su sentido común y sea cuidadoso cuando utilice herramientas. No es posible anticipar todas las situaciones que podrían tener un desenlace peligroso. No utilice esta herramienta si no entiende estas instrucciones de uso o si considera que el trabajo a realizar supera sus capacidades, comuníquese con Milwaukee Tool o con un profesional capacitado para recibir capacitación o información adicional.
- **Conserve las etiquetas y las placas nominales.** Incluyen información importante. Si son ilegibles o no están presentes, comuníquese con MILWAUKEE para obtener un reemplazo gratuito.

unidad que no sean expresamente aprobados por la parte responsable del cumplimiento podrían anular la autoridad del usuario para operar el equipo.

Este equipo ha sido probado y se ha encontrado que cumple con los límites de un dispositivo digital de Clase B, en cumplimiento con la parte 15 de las reglas de la FCC. Estos límites están diseñados para proporcionar protección razonable contra la interferencia nociva en una instalación residencial. Este equipo genera, usa y puede irradiar energía de radiofrecuencia y, si no se instala y se utiliza de acuerdo con las instrucciones, puede ocasionar interferencia nociva con las comunicaciones por radio.

Sin embargo, no existe garantía de que no ocurrirá interferencia en una instalación en particular. Si este equipo ocasiona interferencia nociva con la recepción de radio o televisión que pueda determinarse encendiendo y apagando el equipo, se anima al usuario a intentar corregir la interferencia mediante una o más de las siguientes medidas:

- Reorientar o reubicar la antena receptora.
- Aumentar la distancia entre el equipo y el receptor.
- Consulte al distribuidor o a un técnico experimentado de radio/TV para solicitar ayuda.

ESPECIFICACIONES

Cat. No.	3421
Voltios	6 CD
Tipo de batería	4x(AA) NEDA 15A IEC LR6
Laser.....	Clase 2
Potencia máx. de líneas	$P_{AVG} \leq 7 \text{ mW}$
Frecuencia	10 KHz
Modo normal de duración del pulso	Continuo
Duración del pulso en modo ahorro	$T_p \leq 50 \mu\text{s}$
Longitud de onda.....	510-530 nm
Divergencia de rayo de las líneas	1 rad
Temperatura de almacenamiento	-20°C to 60°C (-4°F to 140°F)
Rango de operación	30 m (100')
Rango con detector	50 m (165')
Precisión.....	3 mm ($\pm 1/8"$) a 10 m (33')
Tiempo de fijación	< 3 segundos
Montaje de tripié	1/4"-20
Protección contra ingreso de basura.....	IP54
Clasificación de caída.....	1 m
Nivelación	Automática de $\pm 4^\circ$ de lado a lado, adelante hacia atrás
Temperatura ambiente recomendada para operar	-20°C a 40°C (-4°F a 104°F)

SIMBOLOGÍA



Voltos



Corriente continua



RADIACIÓN DEL LÁSER
 NO MIRE FIJAMENTE AL RAYO
 PRODUCTO LÁSER DE CLASE 2

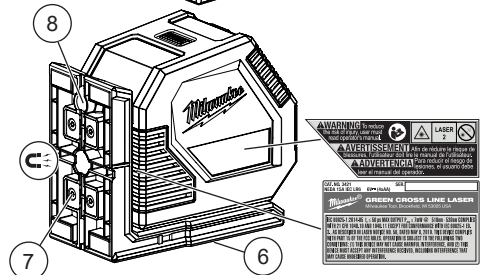
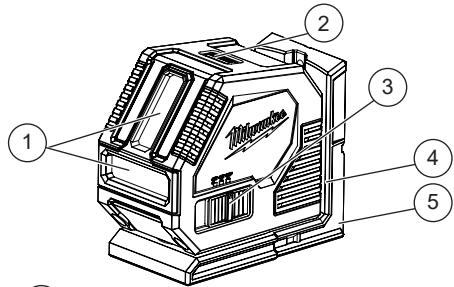


Imanes



Lea el manual del operador

DESCRIPCION FUNCIONAL



1. Aberturas láser
2. Botón de modo láser
3. Interruptor encendido/apagado
4. Puerta de la batería
5. Soporte de pivote
6. Inserto roscado
7. Imanes
8. Agujero para clavos/tornillos

Extracción / inserción de las baterías

Para **quitar** las baterías, gire el láser en el soporte 180°, luego suelte la puerta de la batería. Tire suavemente de la correa de la batería para liberar 4 baterías (AA).

⚠ ADVERTENCIA Retire siempre las pilas antes de cambiar o quitar accesorios.

Para **insertar** las baterías, presione suavemente las baterías AA en su posición de acuerdo con las instrucciones en la parte inferior del puerto de la batería. Cierre la puerta de la batería. Asegúrese de que encaje firmemente en su lugar.

⚠ ADVERTENCIA Utilice únicamente accesorios específicamente recomendados para esta herramienta. El uso de accesorios no recomendados podría resultar peligroso.

Modo detector/ahorro de energía

Utilice el modo Detector / Ahorro de Energía con el detector de línea láser MILWAUKEE 48-35-1211 para extender el tiempo de funcionamiento de la batería. Active manualmente el modo Detector/Ahorro de Energía manteniendo presionado el botón Modo durante 3 segundos. El alcance visual se reducirá cuando se active el modo Detector/Ahorro de Energía. El modo de Ahorro de Energía se indica cuando aparece una salida láser parpadeante con aproximadamente 30 minutos de batería restante.

Indicación de batería baja

Para indicar batería baja (aproximadamente 30 minutos de batería vida restante *), las líneas láser parpadearán:

- En Desbloqueado  ON: 3 veces cada 4 segundos
- En bloqueado  ON: 3 veces cada 8 segundos

El indicador de batería baja continuará parpadeando hasta que las baterías se quitan y reemplazan. Durante la autonivelación, el indicador de nivel fuera de nivel (parpadeando 3 veces por segundo) anulará la batería baja indicador.

NOTA: La duración de la batería puede variar según la marca / edad. Reemplace las baterías lo antes posible.

⚠ ADVERTENCIA Para reducir el riesgo de lesiones o daños, monte o sujete fijamente el láser antes de iniciar una operación. Puede haber daños o lesiones si el láser se cae.

Montar o ajustar el nivel láser

El soporte del pivote puede usarse para montar el nivel láser de varias maneras:

- Utilice los imanes incrustados para fijar el nivel láser a los montantes de acero, vigas de acero, etc.
- Utilice la ranura de bocallave para colgar el nivel láser en la pared con un clavo o tornillo.
- Coloque el nivel láser en una superficie plana.
- Posicione el láser o el montaje de pared en una superficie estable.
- Utilice el inserto roscados de 1/4" - 20 para montar en un tripe.
- Una vez montado el nivel, utilice las perillas de microajuste para afinar las líneas verticales.

⚠ ADVERTENCIA Para reducir el riesgo de lesiones o efectos temporales en la vista, no mire directamente hacia el láser cuando esté encendido.


⚠ ATENCIÓN El uso de controles o ajustes, o el desempeño de los procedimientos que no sean los que se especifican aquí puede provocar una exposición peligrosa a la radiación.


AVISO Realice inmediatamente el procedimiento de revisión del campo de precisión al abrir el paquete de cada nivel láser nuevo y antes de exponerlo a condiciones del sitio de trabajo. Consulte la sección de "Revisión del campo de precisión" para más información.


Encendido en On/Off

Para encender el láser y desbloquear el péndulo, encienda / apague a la posición deseada. **⚠ ADVERTENCIA!** No mire directamente a las aberturas del láser. La línea de nivel horizontal se emitirá inmediatamente desde la apertura de la carcasa del láser.

 **ON** Enciende **ON** el láser y desbloquea el péndulo para poder autonivelarse.

 **ON** Enciende **ON** el láser, pero no desbloquea el péndulo (se deshabilita la autonivelación). Las líneas del láser parpadearán una vez cada 8 segundos para indicar que las líneas proyectadas no están niveladas o de plomada.


AVISO: El modo en  **ON** deshabilita la autonivelación y, por lo tanto, no debe usarse para proyectar una línea nivelada o de plomada.

 **OFF** Apaga el láser y bloquea el péndulo. Cuando no esté en uso, apague la herramienta y almacene el nivel láser en el estuche de transporte protector.

Utilice el botón **MODE** para recorrer los tres modos láser:

1. Modo horizontal
2. Modo vertical
3. Modo cruzado

Uso del nivel de laser

1. Para mejores resultados, coloque la herramienta en una superficie que sea:
 - robusta
 - nivelada (dentro de 4 grados de nivel verdadero)
 - sin vibraciones
 - 90° al área de trabajo
2. Encienda la herramienta y oprima los botones selectores de modo que desee.
3. La herramienta se autonivelará cuando se coloque en superficies dentro de los 4 grados del nivel real cuando el interruptor esté desbloqueado y encendido  **ON**.
4. La herramienta está lista una vez que las líneas emitidas son continuas y ya no se mueven en la superficie de trabajo.
5. Si la herramienta no puede lograr un estado de nivelación (es decir, la superficie de trabajo tiene una desnivelación verdadera mayor a 4 grados), los rayos láser parpadearán rápidamente (3 parpadeos por segundo). Vuelva a colocarla o ajuste la superficie de trabajo.

Resolución de problemas

Si la herramienta no enciende:

- Asegúrese de que las baterías estén instaladas correctamente.
- Asegúrese de que las baterías estén bien.
- Asegúrese de que la temperatura interna de la herramienta se encuentra dentro de los rangos operativos especificados. Si se almacenan en calor o frío excesivo, permita que transcurran al menos 2 horas para aclimatarse a temperatura ambiente antes de encender la herramienta.

Si el problema continúa, contacte a las instalaciones de servicio MILWAUKEE para que le apoyen.

REVISIÓN DEL CAMPO DE PRECISIÓN DE PRECISIÓN

AVISO Realice inmediatamente el procedimiento de revisión del campo de precisión al abrir el paquete de cada nivel láser nuevo y antes de exponerlo a condiciones del sitio de trabajo. Consulte la sección de “Revisión del campo de precisión” para más información. En caso de que encuentre alguna desviación en la precisión del producto, contacte a las instalaciones de servicio MILWAUKEE. El no hacerlo puede provocar que se rechace una reclamación de la garantía.

Influencias sobre la precisión

Los gradientes de la temperatura ambiente pueden afectar la precisión láser. Para obtener resultados precisos y repetibles, debe realizarse el siguiente procedimiento con el láser elevado del piso y colocado en el centro del área de trabajo.

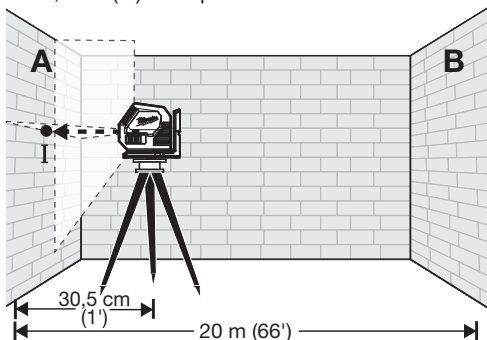
El manejo incorrecto del nivel láser, como impactos excesivos por caídas, también puede provocar desviaciones en la precisión del producto.

Por lo tanto, se recomienda realizar un procedimiento de revisión del campo después de cualquier impacto o antes de completar cualquier trabajo esencial.

Precisión de la altura horizontal

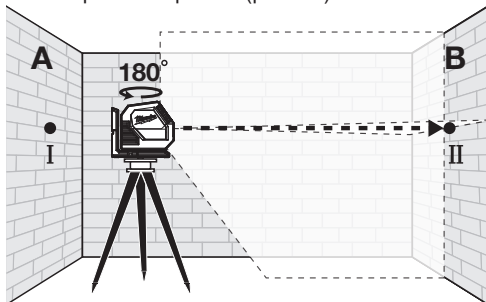
Se necesita una distancia de medición libre de aproximadamente 20 m (66') sobre una superficie firme entre dos paredes o estructuras A y B para esta revisión. También se sugiere montar el nivel láser sobre un tripié para un fácil ajuste.

1. Monte fijamente la herramienta a una distancia de 30,5 cm (1') de la pared A.

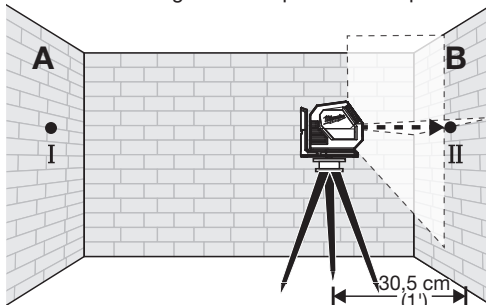


2. Encienda la herramienta \odot ON y presione el botón de modo 3 veces.

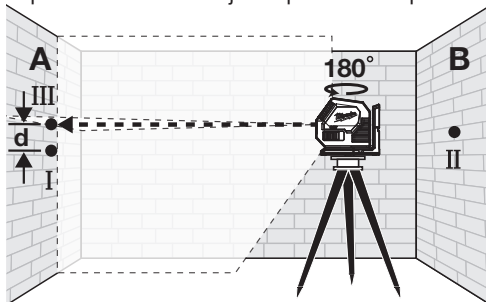
3. Dirija los rayos láser frontales contra la pared A más cercana y permita la autonivelación. Marque el centro donde las líneas horizontales y verticales cruzan en la pared (punto I).
4. Gire la herramienta 180° sin cambiar la altura, permita que se autonivele y marque el centro donde las líneas horizontales y verticales cruzan en la pared B opuesta (punto II).



5. Mueva la herramienta a 30,5 cm (1') de la pared B. Encienda la herramienta en \odot ON. Permita que el láser se autonivele. Alinee la cruz del láser en la dirección general del punto II en la pared B.



6. Ajuste la altura de la herramienta (con un tripié o con calzas, de ser necesario) para que la intersección de las líneas vertical y horizontal se proyecte exactamente contra el punto II previamente marcado en la pared B. Asegúrese de que la herramienta se autonivele después de la alineación.
7. Gire la herramienta 180° sin cambiar la altura, permita que se autonivele y marque la intersección de las líneas láser en una pared A (punto III). El punto III debe estar alineado lo más verticalmente posible arriba o debajo del punto I en la pared A.



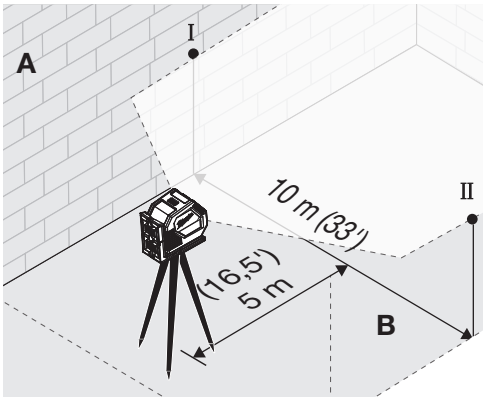
8. La distancia entre los puntos I y III en la pared A es la desviación (d) de la altura de la herramienta. Esta distancia no debe superar 3 mm (1/8") (máx.) a 10 m (33') (13 mm a 40 m (1/2" a 132")). Para la distancia de medición de 2 x 20 m = 40 m (2 x 66' = 132'), la desviación (d) máxima permitida es: $40 \text{ m} \times \pm 3 \text{ mm} \div 10 \text{ m} = \pm 13 \text{ mm}$ (132' x $\pm 1/8"$ $\div 33' = \pm 1/2"$).

Precisión de nivelación horizontal

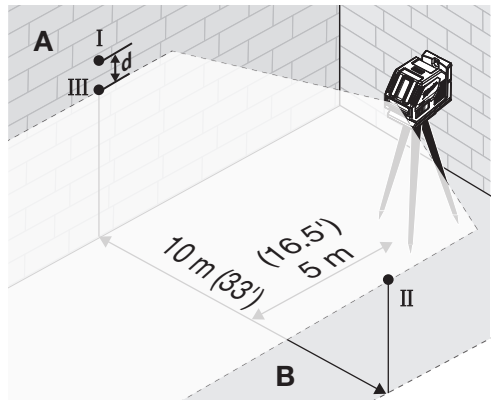
Se necesita un espacio de medición libre de aproximadamente 10 m x 10 m (33' x 33') sobre una superficie firme entre dos paredes o estructuras A y B para la revisión.

También se sugiere montar el nivel láser sobre un trípode disponible comercialmente para un fácil ajuste. Monte fijamente la herramienta en un lado de la habitación y centrado entre las paredes A y B. Dirija las líneas del láser hacia el otro lado de la habitación, de tal forma que la línea horizontal aparezca en ambas paredes A y B. Permita que el láser se autonivele.

1. Encienda la herramienta en **ON**.
2. A una distancia de 5 m (16,5') del láser, marque el centro de la línea horizontal en la pared A (punto I). Repita el paso en la pared B (punto II).



3. Mueva el láser 10 m (33') hacia la pared opuesta y gire el láser 180°. Permita que el láser se autonivele.
4. Ajuste la altura de la herramienta (con un trípode o con calzas, de ser necesario) para que el centro de la línea horizontal se proyecte exactamente contra el punto II previamente marcado en la pared B. Asegúrese de que el láser se autonivele después de la alineación.
5. Marque el centro de la línea horizontal en la pared A (punto III). Asegúrese de que el punto III esté alineado lo más verticalmente posible por encima o por debajo del punto I.
6. La distancia d entre los puntos I y III marcados en la pared A indica la desviación (d) real de la herramienta.

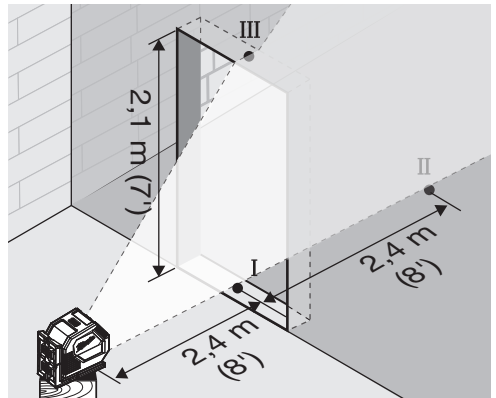


7. Para la distancia de medición de 2 x 10 m = 20 m (2 x 33' = 66'), la desviación (d) máxima permitida es: $20 \text{ m} \times \pm 3 \text{ mm} \div 10 \text{ m} = \pm 6 \text{ mm}$ (66' x $\pm 1/8"$ $\div 33' = \pm 1/4"$). Así, la diferencia d entre los puntos I y III no debe exceder 6 mm (1/4") (máximo) a 20 m (66').

Precisión de nivelación vertical

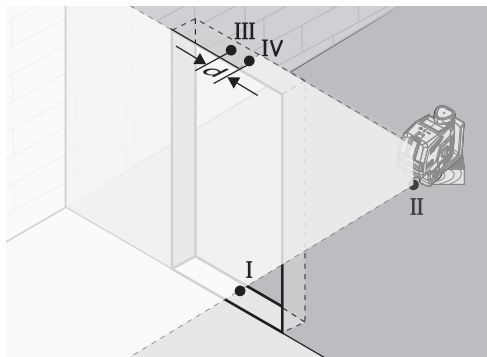
Se requiere una puerta que abra con aproximadamente 2,4 m (8') de espacio en cada lado de la abertura para esta revisión.

1. Monte con firmeza la herramienta a 2,4 m (8') de un lado de la abertura de la puerta.
2. Encienda la herramienta **ON** y presione el botón de modo 2 veces.
3. Posicione la herramienta con la línea láser hacia la abertura de la puerta. Permita que la herramienta se autonivele.
4. Marque el centro de la línea vertical del láser en el piso, en medio de la abertura de la puerta (punto I), a una distancia de 2,4 m (8') más allá de la abertura de la puerta (punto II) y en el borde superior de la abertura de la puerta (punto III).



5. Mueva el nivel del láser directamente detrás del punto II en el otro lado de la puerta. Alinee la misma línea láser vertical a modo de que el centro esté alineado directamente con los puntos I y II.

- Marque el centro de la línea vertical en el borde superior de la abertura de la puerta (punto IV).
- Mida la altura de la abertura de la puerta.
- La distancia entre los puntos III y IV en la abertura superior de la puerta es la desviación (d) de la herramienta.



- La desviación (d) vertical máxima es: $d_{max} = 2 \times A$ (abertura de la puerta) $\times \pm 3 \text{ mm } (1/8") \div 10 \text{ m } (33')$. Ejemplo: para la altura de la abertura de una puerta de 2,1 m (7'), la desviación (d) máxima permitida es: $d_{max} = 2 \times 2,1 \text{ m} \times \pm 3 \text{ mm} \div 10 \text{ m} = \pm 1,3 \text{ mm } (2 \times 7' \times \pm 1/8" \div 33' = \pm 0.05")$. Por lo tanto, la medida entre los puntos III y IV en la abertura superior de la puerta no debe exceder 1,3 mm (0.05") en una puerta de 2,1 m (7').

MANTENIMIENTO

ADVERTENCIA Para reducir el riesgo de lesión, siempre retire las baterías antes de realizar algún mantenimiento. Nunca desarme la herramienta.

Mantenimiento del nivel láser

Dé mantenimiento a las herramientas. Si se daña, asegúrese de que la herramienta sea reparada antes de utilizarse. La falta de mantenimiento de las herramientas puede ocasionar accidentes.

ADVERTENCIA Para reducir el riesgo de lesiones personales y daños materiales, nunca sumerja su herramienta en líquido ni permita que un líquido fluya hacia su interior.

Limpieza

Mantenga las manijas de la herramienta limpias, secas y libres de aceite o grasa. Use solamente jabón suave y un paño húmedo para limpiar, puesto que ciertos agentes de limpieza y solventes son dañinos para los plásticos y otras piezas aisladas. Algunos de estos incluyen la gasolina, trementina, adelgazador de barniz, adelgazador de pintura, solventes de limpieza con blanqueador, amoníaco y detergentes caseros que contienen amoníaco. Nunca use solventes inflamables o combustibles alrededor de las herramientas.

Limpieza de las lentes

Sople las partículas sueltas con aire comprimido limpio. Limpie cuidadosamente la superficie con un hisopo de algodón humedecido con agua.

Reparaciones

Esta herramienta tiene piezas de servicio limitadas. No abra la carcasa ni desmonte la herramienta. Para reparaciones, devuelva la herramienta al centro de servicio autorizado más cercano.

ACCESORIOS

ADVERTENCIA Use las herramientas únicamente con accesorios específicamente designados. El uso de cualquier otro accesorio puede ocasionar un riesgo de lesiones.

SOPORTE DE SERVICIO - MEXICO

CENTRO DE ATENCION A CLIENTES

Techtronic Industries Mexico, S.A. de C.V.

Av. Presidente Masarik 29 Piso 7

11560 Polanco V Seccion

Miguel Hidalgo, Distrito Federal, México

01 (800) 030-7777 o (55) 4160-3540

Lunes a Viernes (9am a 6pm)

O contáctanos en www.milwaukeeool.com.mx

GARANTÍA LIMITADA - E.U.A. Y CANADÁ

Cada herramienta eléctrica* de MILWAUKEE (ver excepciones a continuación) está garantizada para el comprador original únicamente de que no tenga material y mano de obra defectuosos. Sujeto a ciertas excepciones, MILWAUKEE reparará o reemplazará cualquier parte en una herramienta eléctrica que tenga defectos de material o mano de obra según lo determine MILWAUKEE mediante una revisión, por un periodo de cinco (5) años** después de la fecha de compra a menos que se indique lo contrario. Al devolver la herramienta eléctrica a un Centro de Servicio de la fábrica de MILWAUKEE o a una Estación de Servicio Autorizada de MILWAUKEE, se requiere que el flete esté pagado por adelantado y asegurado. Se debe incluir una copia del comprobante de compra con el producto devuelto. Esta garantía no aplica a daños que MILWAUKEE determine que son ocasionados por reparaciones o intentos de reparaciones realizados por una persona que no sea personal autorizado de MILWAUKEE, uso indebido, alteraciones, maltrato, desgaste normal, falta de mantenimiento o accidentes.

Desgaste normal: Muchas herramientas eléctricas necesitan un reemplazo periódico de partes y servicio para lograr el mejor desempeño. Esta garantía no cubre la reparación cuando el uso normal haya agotado la vida de una parte, incluyendo sin limitar a mandriles, cepillos, cables, zapatas de la sierra, abrazaderas de la hoja, juntas tóricas, sellos, protectores, hojas de desatornilladores, pistones, herrajes, levantadores y arandelas de cubierta de los protectores.

*Esta garantía no cubre clavadoras y grapadoras neumáticas, pistola de pintura a presión, baterías inalámbricas, generadores de energía portátil de gasolina, herramientas de mano, palanca y cadena de mano de polipasto - eléctricas, prendas calefadas M12™, producto recondicionado y productos de prueba y medición. Están disponibles distintas garantías independientes para estos productos.

**La vigencia de la garantía para los radios para obra, el puerto de energía M12™, la fuente de poder M18™, el ventilador para obra y las carretillas de trabajo industrial Trade Titan™ es de un (1) año a partir de la fecha de compra. La vigencia de la garantía para las llaves de impacto de alto torque con empuñadura en D de 1" M18 FUEL™, los cables de limpieza de drenajes, los accesorios de la pistola de aire para limpieza de drenajes AIRSNAKE™, los niveles láser USB REDLITHIUM™ y el barrenos de 0,3 m (25") TRAPSNAKE con CABLE DRIVE™, Láser de línea cruzada verde es de dos (2) años a partir de la fecha de compra. La vigencia de la garantía para la pistola de calor compacta M18™, el extractor de polvo de 30,3 l (8 gal.), las clavadoras de entramado M18™, la llave de impacto de torque controlado con yunque exterior de 1/2" M18 FUEL™ con ONE-KEY™, la llave de impacto de alto torque de 1" M18 FUEL™ con ONE-KEY™, el compresor silencioso compacto de 7,6 l (2 gal.) M18 FUEL™, los niveles láser M12™, el detector de láser de 19,8 m (65'), la clavadora de broches 23GA M12™, la ribeteadora ciega de 6,4 mm (1/4") M18 FUEL™ con ONE-KEY™, el raspador de neumáticos de baja velocidad M12 FUEL™, las pulidoras de órbita aleatoria M18 FUEL™ y la engrapadora multiusos para cerca M18™ es de tres (3) años a partir de la fecha de compra. La vigencia de la garantía para la luz LED de la lámpara de trabajo LED y del bulbo mejorado de LED de la lámpara de trabajo es de la vida útil del producto sujeto a las limitaciones anteriores. Si la luz LED o el bulbo LED falla durante el uso normal, se cambiará la pieza sin costo.

No es necesario realizar el registro de la garantía para recibir la garantía correspondiente a un producto de herramienta eléctrica de MILWAUKEE. La fecha de fabricación del producto servirá para determinar la vigencia de la garantía si no se presenta ningún comprobante de compra al solicitar el servicio en garantía.

LA ACEPTACIÓN DE LOS RESARCIMIENTOS EXCLUSIVOS DE REPARACIÓN Y SUSTITUCIÓN AQUÍ DESCRITOS ES UNA CONDICIÓN DEL CONTRATO EN CUANTO A LA COMPRA DE TODO PRODUCTO DE MILWAUKEE. SI USTED NO ACEPTA ESTA CONDICIÓN, NO DEBE COMPRAR EL PRODUCTO. MILWAUKEE NO SERÁ RESPONSABLE EN NINGÚN CASO DE DAÑOS INCIDENTALES, ESPECIALES, EMERGENTES O PUNITIVOS NI DE NINGÚN COSTO, HONORARIOS DE ABOGADOS, GASTOS, PÉRDIDAS O DEMORAS QUE SUPUESTAMENTE SEAN CONSECUENCIA DE ALGÚN DAÑO, FALLA O DEFECTO DE ALGUNO DE LOS PRODUCTOS, INCLUYENDO, ENTRE OTROS, RECLAMACIONES POR PÉRDIDA DE UTILIDADES. ALGUNOS ESTADOS NO PERMITEN LA EXCLUSIÓN O LIMITACIÓN DE RESPONSABILIDAD POR DAÑOS INCIDENTALES O EMERGENTES, POR LO QUE LA ANTERIOR LIMITACIÓN O EXCLUSIÓN PODRÍA NO APLICARSE EN SU CASO. ESTA GARANTÍA ES EXCLUSIVA Y SUSTITUYE TODAS LAS DEMÁS GARANTÍAS EXPRESAS, SEAN ESTAS ESCRITAS U ORALES. HASTA DONDE PERMITA LA LEY, MILWAUKEE DESCONOCE CUALQUIER GARANTÍA IMPLÍCITA, INCLUYENDO SIN LIMITACIÓN CUALQUIER GARANTÍA IMPLÍCITA DE COMERCIABILIDAD O IDONEIDAD PARA UN FIN O USO ESPECÍFICO; HASTA EN QUE DICHO DESCONOCIMIENTO NO SEA PERMITIDO POR LA LEY, DICHAS GARANTÍAS IMPLÍCITAS SE LIMITAN A LA DURACIÓN DE LA GARANTÍA EXPRESA CORRESPONDIENTE SEGÚN LO ARRIBA DESCRITO. ALGUNOS ESTADOS NO PERMITEN LIMITACIONES EN LA VIGENCIA DE UNA GARANTÍA IMPLÍCITA, POR LO QUE LA ANTERIOR LIMITACIÓN PUDIERA NO APLICAR A USTED, ESTA GARANTÍA LE CONFIERE DERECHOS JURÍDICOS ESPECÍFICOS Y USTED PODRÍA, ADEMÁS, TENER OTROS DERECHOS QUE VARIAN SEGÚN EL ESTADO.

Esta garantía aplica únicamente a los productos vendidos en EE. UU. y Canadá.

Consulte la pestaña "Búsqueda de centro de servicio" en la sección de "Piezas y servicio" del sitio web de MILWAUKEE en www.milwaukeetool.com o llame al 1.800.SAWDUST (1.800.729.3878) para localizar su centro de servicio más cercano para darle servicio con y sin garantía a una herramienta eléctrica de Milwaukee.

PÓLIZA DE GARANTÍA - VALIDA SOLO PARA MÉXICO, AMÉRICA CENTRAL Y EL CARIBE

La garantía de TECHTRONIC INDUSTRIES es por 2 años a partir de la fecha original de compra.

Esta tarjeta de garantía cubre cualquier defecto de material y mano de obra en ese Producto.

Para hacer válida esta garantía, presente esta tarjeta de garantía, cerrada/sellada por el distribuidor o la tienda donde compró el producto, al Centro de Servicio Autorizado (ASC). O, si esta tarjeta no se ha cerrado/sellado, presente la prueba original de compra a ASC. Llame 55 4160-3547 para encontrar el ASC más cercano, para servicio, partes, accesorios o componentes.

Procedimiento para hacer válida esta garantía

Lleve el producto a ASC, junto con la tarjeta de garantía cerrada/sellada por el distribuidor o la tienda donde compró el producto, y cualquier pieza o componente defectuoso se reemplazará sin costo para usted. Cubriremos todos los costos de flete con relación a este proceso de garantía

Excepciones

Esta garantía no tendrá validez en las siguientes situaciones:

- Cuando el producto se use de manera distinta a la que indica el manual del usuario final o de instrucciones.
- Cuando las condiciones de uso no sean normales.
- Cuando otras personas no autorizadas por TECHTRONIC INDUSTRIES modifiquen o reparen el producto.

Nota: si el juego de cables está dañado, tiene que reemplazarse en un Centro de Servicio Autorizado para evitar riesgos eléctricos.

CENTRO DE SERVICIO Y ATENCIÓN

Llame al 55 4160-3547

IMPORTADO Y COMERCIALIZADO POR
TECHTRONIC INDUSTRIES, MÉXICO, S.A. DE C.V.
Miguel de Cervantes Saavedra No.301 Piso 5, Torre Norte
11520 Colonia Ampliación Granada
Miguel Hidalgo, Ciudad de Mexico, Mexico

Modelo: _____

Fecha de Compra: _____

Sello del Distribuidor: _____

MILWAUKEE TOOL
13135 West Lisbon Road
Brookfield, WI 53005 USA

58143421d1
02/22

01698700101Q 01(B)
Printed in China