

► **Code Number**

3315156

► **Description**

Back Mounted, Sensor Activated Electronic Gooseneck Hand Washing Faucet for tempered or hot/cold water operation.

► **Flow Rates**

2.2 gpm/8.3 Lpm Laminar Flow

► **Specifications**

ADA Compliant, Battery Powered, Sensor Activated, Chrome Plated Brass Gooseneck Hand Washing Faucet with the following features:

- Appropriate Mounting Hardware included
- Splash-proof Circuit Control Module
- Isolated Latching Solenoid Operator, isolates magnetic components from water contact
- Serviceable Filtered Solenoid Valve
- Sensor Range Adjustment Screw
- User Friendly Variable Time Out Settings
- Low Battery LED Indicator Light
- Metal Jacketed Wire Protection for Sensor lead
- Includes four (4) AA-size Alkaline Batteries
- Spray Head with Pressure Compensating Flow Control
- Optional 6 VDC Plug-in Adapter available (Batteries act as backup when using optional transformer)

► **Accessories (Sold Separately)**

See OPTIMA Accessories Section of the Sloan Catalog for a Complete listing of OPTIMA Faucet Accessories and Variations.

► **Indicator Lights**

Range Adjustment

► **Sensor Range**

Factory Set: 4" - 5" (102 mm - 127 mm)

Adjustable: 1" - 8" (25 mm — 203 mm) — Adjustability dependent upon depth and reflectivity of basin.

► **Battery Life**

2 Years @ 8,000 Cycles / Month

► **Control Circuit**

6 VDC — operates on four (4) alkaline AA-size batteries. Optional 6 VDC Plug-in Adapter.

► **Solenoid Valve**

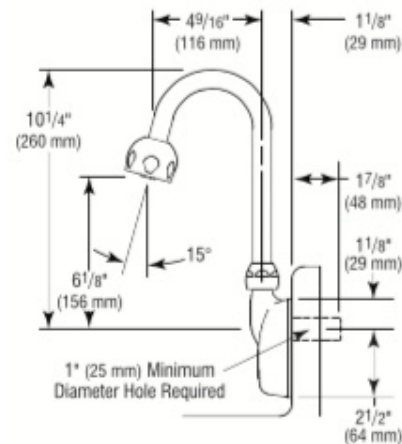
Filtered Solenoid Valve with Serviceable Strainer Filter

► **Max. Distance Control Module may be installed from Spout**

With Standard Cable: 15" (381 mm)

► **Extension Cable (Optional)**

EBF-203-A-16 16" (406 mm)



► **Automatic Operation**

The Sloan OPTIMA Plus® EBF-550 Battery Powered Gooseneck Hand Washing Faucet operates by means of an infrared sensor. Once the user's hands enter the sensor's effective range, the Solenoid activates the water flow. Tempered water flows from the Faucet until hands are moved away. The Faucet then automatically shuts off.

► **Hygienic**

The ultimate in sanitary protection — there are no handles to turn or buttons to push. Helps to control the spread of infectious diseases. Ideal for high traffic commercial installations.

► **Economical**

Automatic operation provides water usage savings over other faucet devices. Reduces maintenance and operation costs. Self-adaptive Range Adjustment makes installation quick and easy. Battery operation ideal for Retrofit installations.

► **Compliance & Certifications**



This space for Architect/Engineer Approval

### ► Time Out Adjustment Settings

30 seconds — The Faucet Time Out Setting determines the maximum time the faucet will run upon continuous detection. The EBF-550 is Factory set at the 30 second time out.

### ► ROUGH-IN

EBF-550 Faucet with Bak-Chek® Tee for Hot and Cold Water Supply

